

ELECTRIC CONNECTION SYSTEM

CATALOGUE



GRL was founded in 1992, specialising in low voltage busbar system, isolator switch, fuse switch disconnector fuse link, fuse base, knife switch, etc.. It's a professional company that can research, develop, produce and sale.

GRL is the leader of low voltage busbar system and disconnector switch in China.

GRL

Cultural Mission

Win-win with customer
Mutual Progress for workers
Shareholder satisfaction
Society satisfaction

Industry Mission

GRL is devoted to assuming social responsibilities and raising the safety, reliability and efficiency of electric products as GRL specializes in disconnector switch, busbar system and fuses.

Vision

To be a respected brand of electric connection system all over the world.

Orientation

We are committed to serve medium and high end clients who pursue high quality products and agile supply chain, as well as the challenging area with innovation.

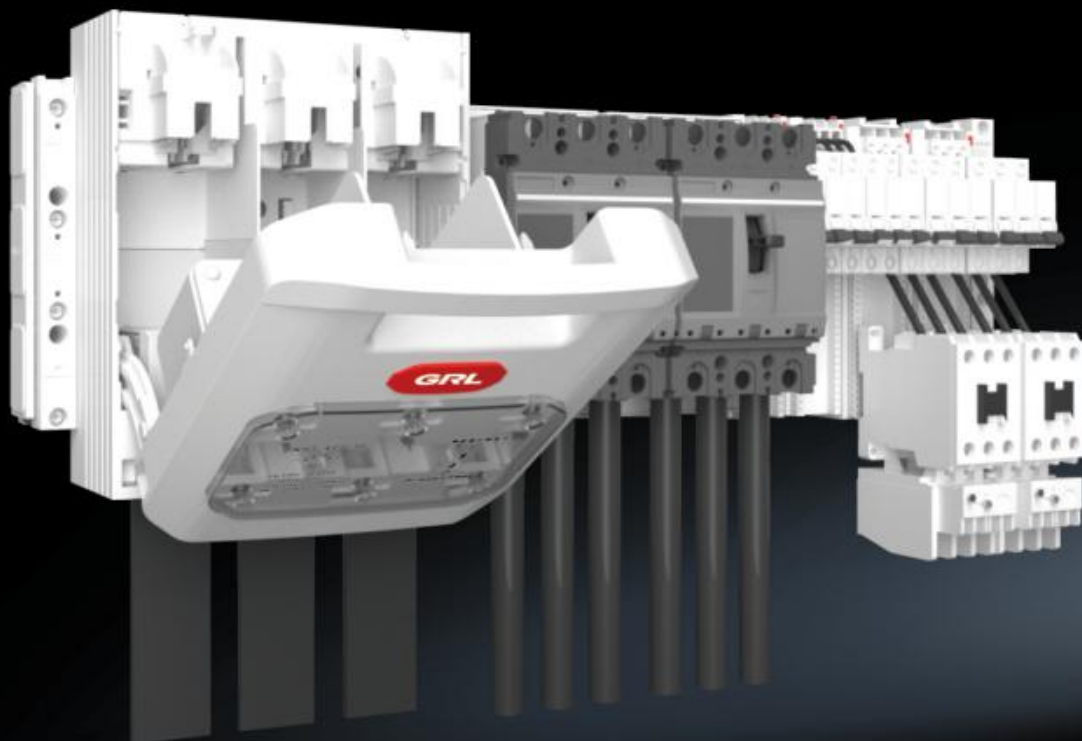




Value of Speed and Innovation

Busbar system is a special way of power distribution

- ★ **Connection without hole** You don't need to punch holes in the copper busbar, and the loss of copper also will be reduced.
- ★ **Quick installation** The installation is completed when you hang the products successfully. Cable lug is not needed as the components are fully matched with the adaptor. Installation is very easy.
- ★ **Safety** All components' surface are insulated. There are no exposed conductors in the system, which is 100% safe.
- ★ **Compact structure** The wire routes are neat as there are no cable lug or wire crossed. Take 60mm busbar system as an example, with the compact structure, the system only about 200mm in height.
- ★ **Flexible adjustment** The components position can be flexibly adjusted according to actual demand. Power outage is not required when you adjust or increasing components, and it's very easy to fix.
- ★ **Smart design** It will bring you visual shock with the unique design, exclusive color scheme and neat routes.
- ★ **Cost saving** With GRL busbar system, you can save many labor cost, room cost and even the maintenance cost.





Power facility



Wind power distribution equipment



Automotive manufacturing



Industrial furnace



Sewage treatment



Glass machinery

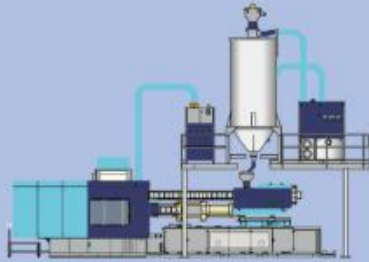


Product Application Areas

Application Areas



Metallurgical equipment



Large injection machine



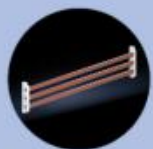
Textile machinery



Mining machinery and equipment



Catalogue

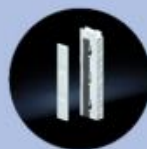


Copper busbar P01

Flat copper busbars P03

Irregular copper busbars P04

Laminated copper busbars P05



Busbar support P09

Busbar support P11

End cover P20



Connection components P23

Connection terminal plate P26

Busbar clamp P33



Busbar Adaptor P45

Breaker Adaptor P52

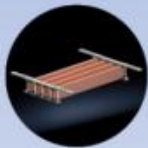
MCCB Adaptor P73

Laminated Copper Connection P94



Enclosed components **P95**

- Busbar cover P97
- Space cover P99



Flat copper busbar width **P157**

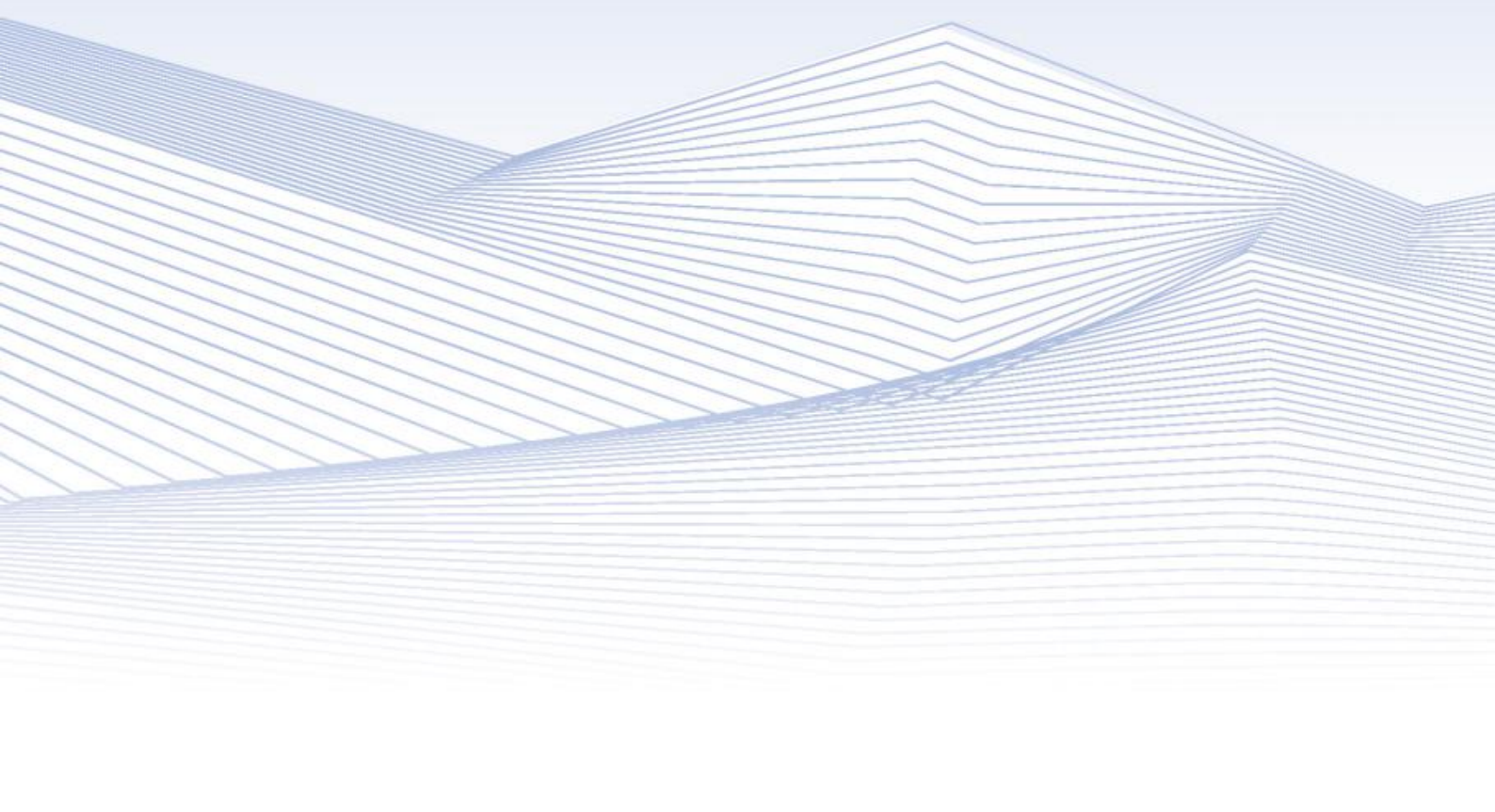
- Copper Busbar Supports P159
- Laminated busbar terminal P170
- Bracket P174



Fuse protection and accessories **P105**

- DNH1 fuse switch disconnecter P111
- DNH18 fuse switch disconnecter P120
- Attachment P129
- RT fuse switch disconnecter P130
- Mini vertical fuse switch disconnecter P143
- Fuse base P145
- Busbar D type fuse base P152
- Fuse link P154

Page guide **P175**

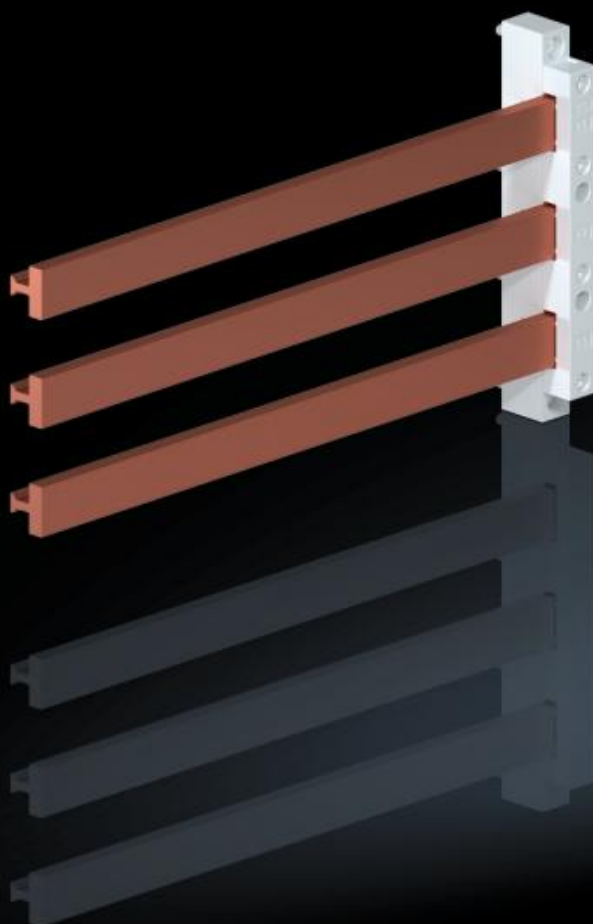


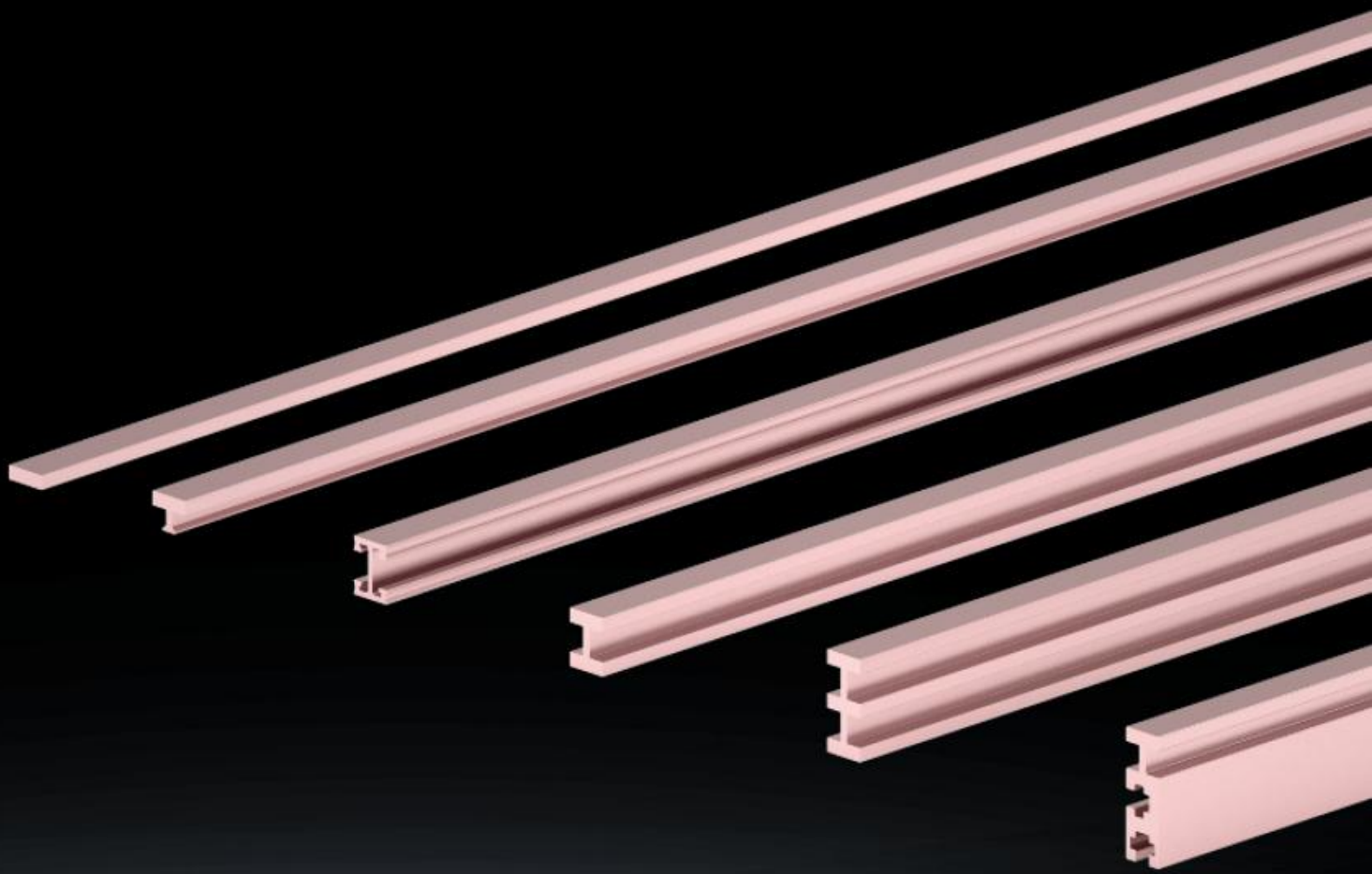
You worth a good supplier like GRL

Copper busbar

You can install the components on copper busbar directly, which is conductive and supportive

GRL copper busbar is made of T2 copper. There are a lot of shapes, including rectangular, T type, 2T type, 3T type, laminated copper busbar, etc..Its' section area varies from 60mm^2 to 1600mm^2 .

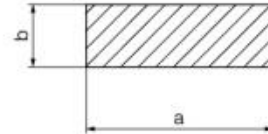




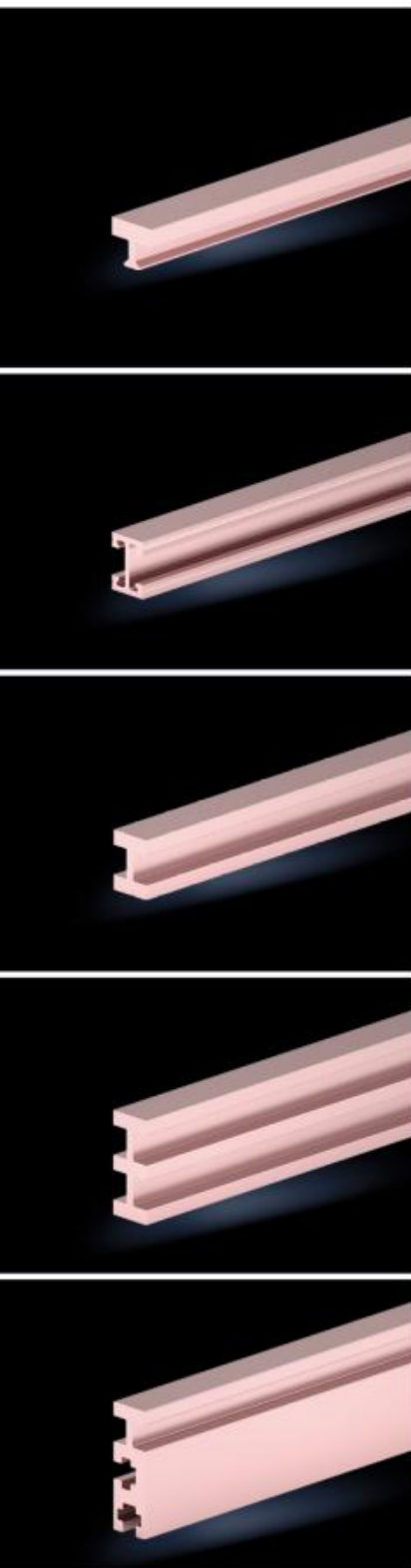
Flat Busbar Copper



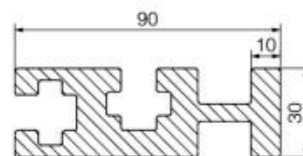
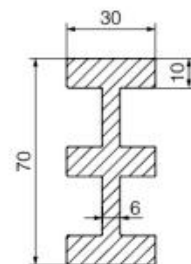
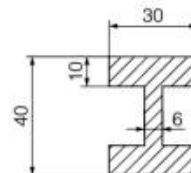
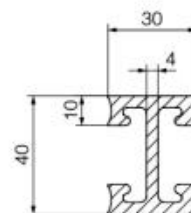
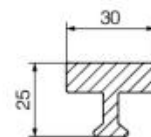
Size a×b×length(mm)	Section area(mm ²)	Current-carrying capacity (busbar under 65°C)	Item No.
12×5×2400	60	200	DN51618
12×5×790			DN51381
12×5×590			DN51382
15×5×2400	75	250	DN51619
20×5×2400	100	320	DN51620
20×5×790			DN51383
20×5×590			DN51384
25×5×2400	125	400	DN51621
30×5×2400	150	450	DN51622
30×5×790			DN51387
30×5×590			DN51388
12×10×2400	120	360	DN51623
12×10×790			DN51389
12×10×590			DN51390
20×10×3600	200	520	DN51140
20×10×2400			DN51624
20×10×790			DN51391
20×10×590			DN51392
30×10×3600	300	630	DN51204
30×10×2400			DN51625
30×10×790			DN51393
30×10×590			DN51394



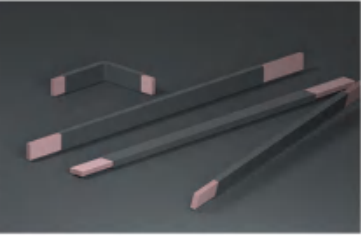
Irregular Copper Busbar



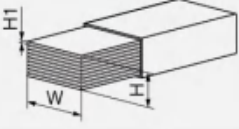


Section area(mm ²) x length (mm)	Current-carrying capacity (busbar under 65°C)	Item No.
400×3600	850	DN51000
400×2400		DN51023
400×790		DN51024
400×650		DN51025
400×590		DN51026
400×450		DN51027
500×3600		1250
500×2400	DN51609	
500×790	DN51395	
500×650	DN51226	
500×590	DN51396	
500×450	DN51225	
720×3600	1600	
720×2400		DN51608
720×790		DN51397
720×650		DN51831
720×590		DN51398
720×450		DN51838
1140×3600		2500
1140×2400	DN51187	
1140×790	DN51399	
1140×653	DN51189	
1140×590	DN51400	
1140×453	DN51188	
1600×2400	3200	
1600×692		DN51378
1600×492		DN51377



Laminated Copper Busbar

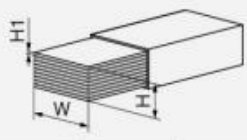




- T2 represents the surface temperature of the laminated copper busbar
- T1 represents the ambient temperature around the laminated copper busbar
- K represents temperature in Kelvin (calculated temperature, not measured temperature)
- Calculation of temperature rise of laminated copper busbar $K=T2-T1$
- Current value is selected when the temperature is 50K
- Laminated copper busbar is selected according to the end width of the connected device
- When using 2 or 3 laminated copper busbar in parallel, a derating factor is required
the current is 166A under 50 K when the busbar is $8 \times 6 \times 0.5$
the current is 285 A when there are 2 laminated copper busbar in parallel $166A \times 1.72=285A$ (the derating factor)
the current is 373 A when there are 3 laminated copper busbar in parallel $166A \times 2.25=373A$ (the derating factor)
- H represents the busbar layers, H1 represents the busbar thickness, W represents the busbar width
- The default length of laminated copper busbar is 2000mm. Pls feel free to contact us if you need other size.

Rated current				Section area mm ²	Temperature rise (K)						Derating factor		Item No.
	H	W	H1		70	60	50	40	30	20			
125A	8	6	0.5	24	196	182	166	143	128	105	1.72	2.25	DN61240
	3	9	0.8	21.6	158	147	134	120	104	85	1.72	2.25	DN61241
	6	9	0.8	43.2	290	269	245	220	190	155	1.72	2.25	DN61242
	3	13	0.5	19.5	198	184	167	150	130	106	1.72	2.25	DN61244
	2	15.5	0.8	24.8	252	234	212	191	165	134	1.72	2.25	DN61239
250A	9	9	0.8	64.8	314	291	265	237	206	168	1.72	2.25	DN61243
	6	13	0.5	39	300	277	253	226	196	160	1.72	2.25	DN61245
	4	15.5	0.8	49.6	380	350	320	286	248	202	1.72	2.25	DN61246
	2	20	1	40	326	300	275	246	214	174	1.72	2.25	DN61249
	3	20	1	60	428	395	360	323	280	228	1.72	2.25	DN61250
	2	24	1	48	450	416	380	340	295	240	1.72	2.25	DN61255

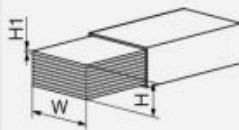


Busbar clamp for laminated copper busbar, pls refer to page 170.

Laminated Copper Busbar

Rated current				Section area mm ²	Temperature rise (K)						Derating factor		Item No.
	H	W	H1		70	60	50	40	30	20			
400A	6	15.5	0.8	74.4	476	440	402	360	318	254	1.72	2.25	DN61247
	10	15.5	0.8	124	538	498	455	407	352	288	1.72	2.25	DN61248
	4	20	1	80	476	440	402	360	312	254	1.72	2.25	DN61251
	5	20	1	100	498	460	420	376	326	266	1.72	2.25	DN61252
	6	20	1	120	546	506	462	413	358	292	1.72	2.25	DN61253
	3	24	1	72	490	453	413	370	320	261	1.72	2.25	DN61256
	4	24	1	96	550	510	465	416	360	294	1.72	2.25	DN61257
	2	32	1	64	480	445	406	363	315	257	1.72	2.25	DN61262
	3	32	1	96	570	525	480	430	372	304	1.72	2.25	DN61263
	2	40	1	80	538	500	455	406	352	288	1.72	2.25	DN61269
500A	5	24	1	120	608	563	514	460	398	325	1.72	2.25	DN61258
	6	24	1	144	670	620	566	506	438	358	1.72	2.25	DN61259
	4	32	1	128	648	600	548	490	425	347	1.72	2.25	DN61264
	3	40	1	120	617	570	522	466	405	330	1.72	2.25	DN61270
	4	40	1	160	727	673	615	550	476	389	1.72	2.25	DN61271
	3	50	1	150	700	650	592	530	460	374	1.72	2.25	DN61276

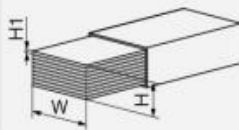


Busbar clamp for laminated copper busbar, pls refer to page 170.

Laminated Copper Busbar

Rated current				Section area mm ²	Temperature rise (K)						Derating factor		Item No.
	H	W	H1		70	60	50	40	30	20			
630A	10	20	1	200	762	706	645	576	500	408	1.72	2.25	DN61254
	8	24	1	192	802	743	678	606	525	429	1.72	2.25	DN61260
	5	32	1	160	758	702	640	573	496	405	1.72	2.25	DN61265
	6	32	1	192	846	783	715	640	555	452	1.72	2.25	DN61266
	5	40	1	200	900	832	760	680	590	481	1.72	2.25	DN61272
	4	50	1	200	860	795	727	650	563	460	1.72	2.25	DN61277
800A	10	24	1	240	948	877	800	716	592	506	1.72	2.25	DN61261
	8	32	1	256	1018	943	860	770	667	544	1.72	2.25	DN61267
	6	40	1	240	1018	943	860	770	667	544	1.72	2.25	DN61273
	5	50	1	250	1100	1016	930	830	718	588	1.72	2.25	DN61278
	4	63	1	252	1010	935	855	763	661	541	1.65	2.12	DN61283
	3	80	1	240	980	906	827	740	640	523	1.65	2.12	DN61288
1000A	10	32	1	320	1230	1140	1040	930	805	658	1.72	2.25	DN61268
	8	40	1	320	1230	1140	1040	930	805	658	1.72	2.25	DN61274
	10	40	1	400	1400	1295	1181	1055	915	747	1.72	2.25	DN61275
	6	50	1	300	1225	1135	1035	925	802	655	1.72	2.25	DN61279
	8	50	1	400	1393	1290	1175	1050	912	743	1.72	2.25	DN61280

Busbar clamp for laminated copper busbar, pls refer to page 170.

Laminated Copper Busbar

Rated current				Section area mm ²	Temperature rise (K)						Derating factor		Item No.
	H	W	H1		70	60	50	40	30	20			
1000A	5	63	1	315	1220	1125	1030	920	797	651	1.65	2.12	DN61284
	6	63	1	378	1437	1330	1215	1085	941	768	1.65	2.12	DN61285
	4	80	1	320	1200	1110	1015	906	785	642	1.65	2.12	DN61289
	5	80	1	400	1390	1285	1175	1050	910	743	1.65	2.12	DN61290
1250A	10	50	1	500	1650	1525	1395	1245	1080	882	1.72	2.25	DN61281
	8	63	1	504	1650	1525	1395	1245	1080	882	1.65	2.12	DN61286
	6	80	1	480	1627	1505	1375	1230	1065	870	1.65	2.12	DN61291
	5	100	1	500	1635	1515	1385	1235	1070	876	1.6	2.02	DN61295
	6	100	1	600	1843	1705	1550	1393	1205	980	1.6	2.02	DN61296
1600A	10	63	1	630	1895	1755	1600	1435	1240	1012	1.65	2.12	DN61287
	8	80	1	640	1895	1755	1600	1430	1240	1012	1.65	2.12	DN61292
	10	80	1	800	2100	1945	1775	1585	1375	1123	1.65	2.12	DN61293
	8	100	1	800	2147	1990	1815	1625	1405	1148	1.6	2.02	DN61297
	10	100	1	1000	2350	2170	1985	1775	1535	1255	1.6	2.02	DN61298
	12	100	1	1200	2500	2315	2115	1890	1636	1338	1.6	2.02	DN61299
	10	120	1	1200	2755	2550	2330	2070	1792	1474	1.49	1.95	DN61300

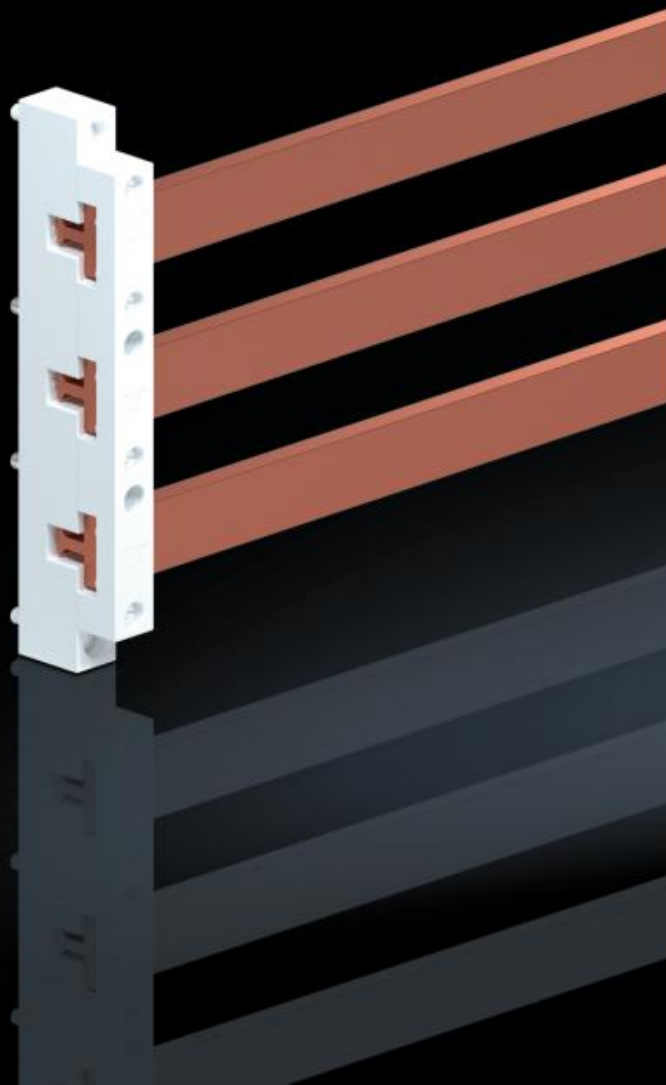
Busbar clamp for laminated copper busbar, pls refer to page 170.

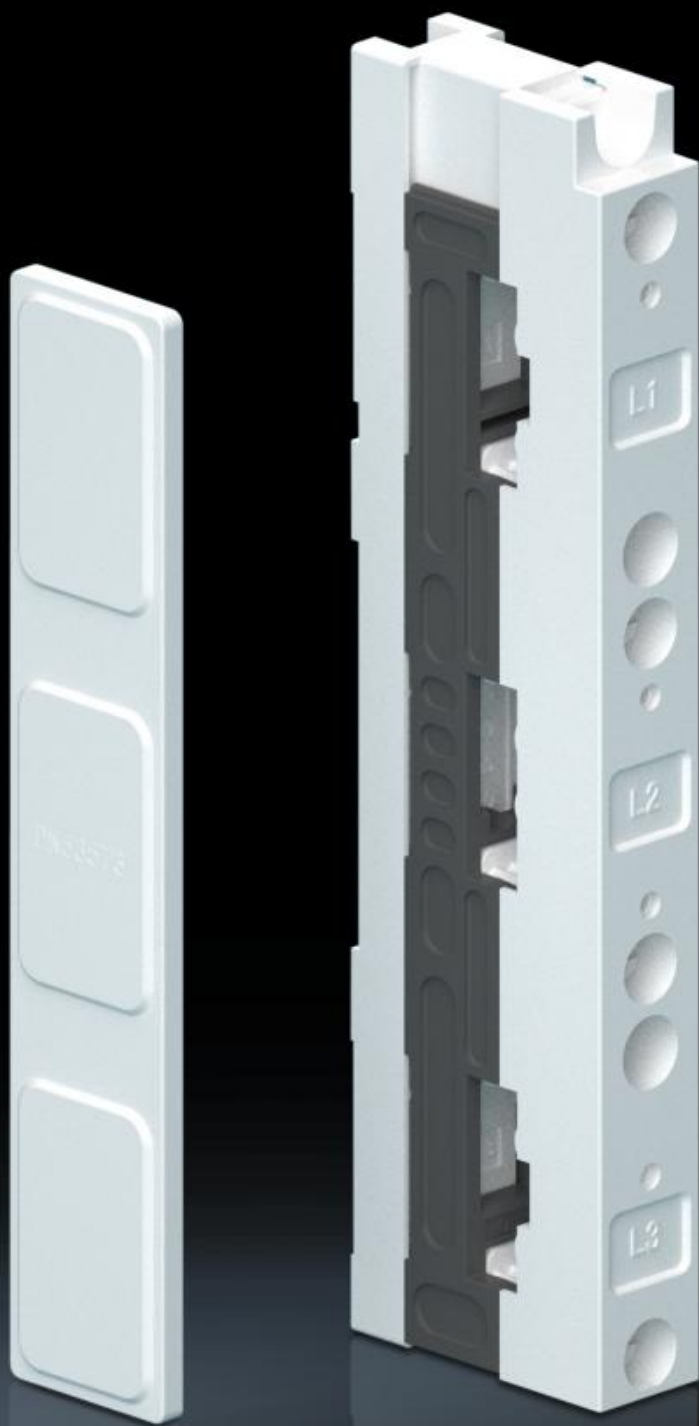
You worth a good supplier like GRL

Busbar Support

You can install the copper busbar quickly with the busbar support in distribution box

No matter flat copper busbar or irregular copper busbar, you are likely to find matching busbar support in GRL



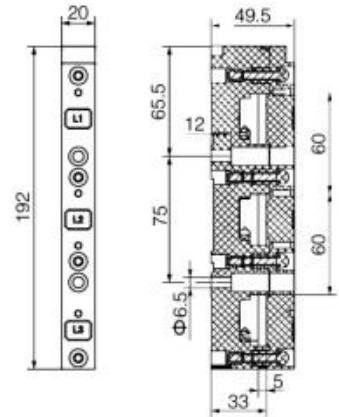


Busbar Support for 60mm System



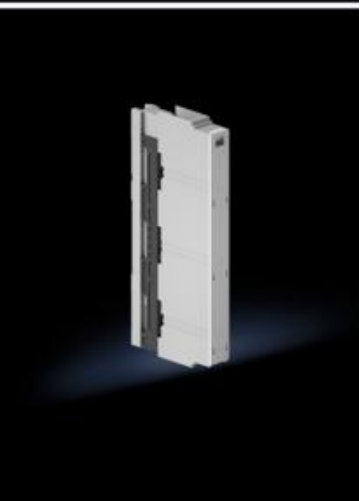
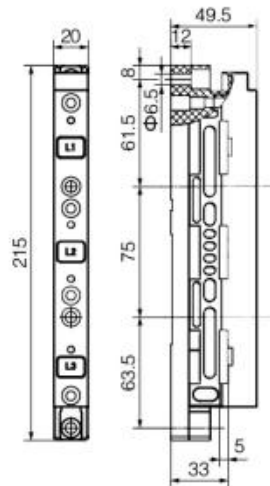
Item No. DN52002

Model No.	MXJ-300
Pole	3P
System	60 mm
For busbar	12、15、20、25、30 x 5 flat copper busbar
For busbar cover	DN53573
Material	PA66 (polyamide) temperature resistance up to 125° C
Reference standard	IEC 61439-1 GB/T 7251.1



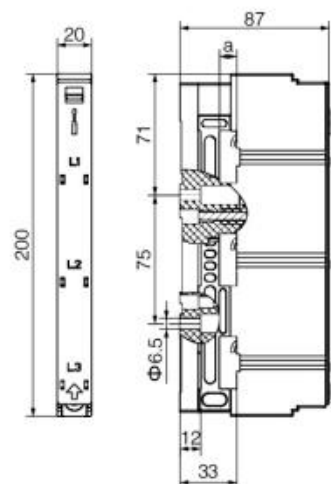
Item No. DN52005

Model No.	MXJ-300
Pole	3P
System	60 mm
For busbar	12、15、20、25、30 x 5 flat copper busbar
For busbar cover	DN53573
Material	PA66 (polyamide) temperature resistance up to 125° C
Reference standard	IEC 61439-1 GB/T 7251.1



Item No. DN52009

Model No.	MXJ-300
Pole	3P
System	60 mm
For busbar	12、15、20、25、30 x 5 flat copper busbar Integrated 1.5-16 mm ² terminal
For busbar cover	DN53573
Material	PA66 (polyamide) temperature resistance up to 125° C
Reference standard	IEC 61439-1 GB/T 7251.1

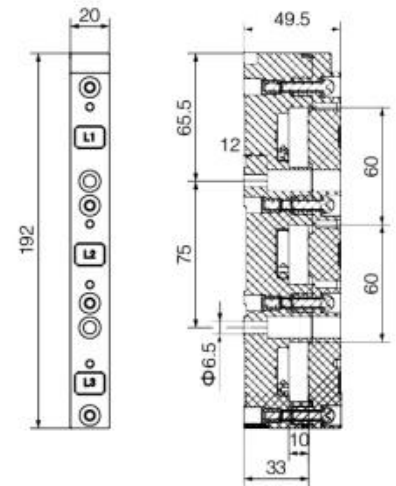


Busbar Support for 60mm System



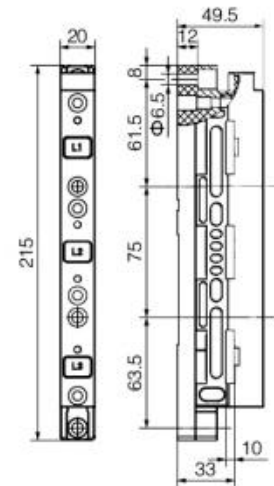
Item No. DN52495

Model No.	MXJ-300
Pole	3P
System	60 mm
For busbar	12、15、20、25、30 x 10 flat copper busbar
For busbar cover	DN53573
Material	PA66 (polyamide) temperature resistance up to 125° C
Reference standard	IEC 61439-1 GB/T 7251.1



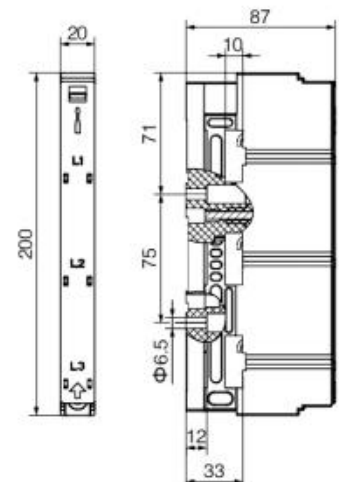
Item No. DN52500

Model No.	MXJ-300
Pole	3P
System	60 mm
For busbar	12、15、20、25、30 x 10 flat copper busbar
For busbar cover	DN53573
Material	PA66 (polyamide) temperature resistance up to 125° C
Reference standard	IEC 61439-1 GB/T 7251.1



Item No. DN52484

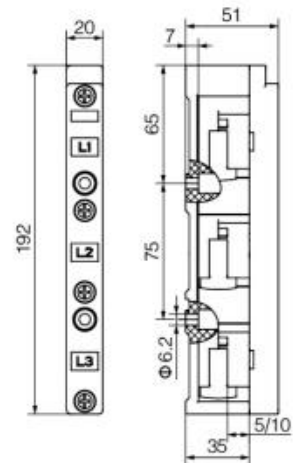
Model No.	MXJ-300
Pole	3P
System	60 mm
For busbar	12、15、20、25、30 x 10 flat copper busbar Integrated 1.5-16 mm ² terminal
For busbar cover	DN53573
Material	PA66 (polyamide) temperature resistance up to 125° C
Reference standard	IEC 61439-1 GB/T 7251.1



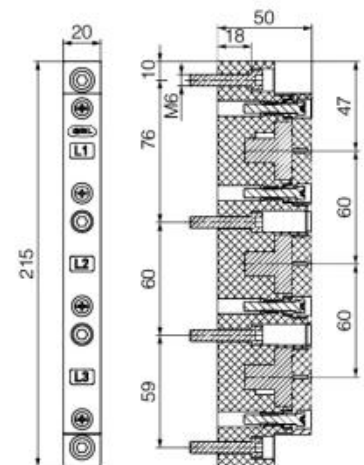
Busbar Support for 60mm System



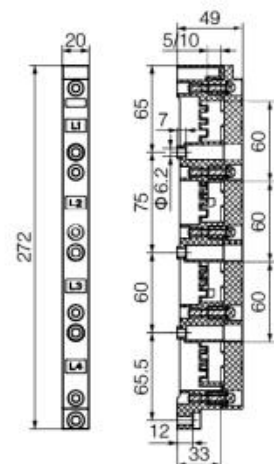
Item No.	DN52508
Model No.	MXJ-300
Pole	3P
System	60 mm
For busbar	12、20、30 x 5、10 flat copper busbar
For busbar cover	DN53573
Material	PA66 (polyamide) temperature resistance up to 125° C
Reference standard	IEC 61439-1 GB/T 7251.1



Item No.	DN52010
Model No.	MXJ-400
Pole	3P
System	60 mm
For busbar	T shape、30 x 10 flat copper busbar
For busbar cover	DN53001
Material	PA66 (polyamide) temperature resistance up to 125° C
Reference standard	IEC 61439-1 GB/T 7251.1



Item No.	DN52357
Model No.	MXJ-300
Pole	4P
System	60 mm
For busbar	12、20、30 x 5、10 flat copper busbar
For busbar cover	DN53131
Material	PA66 (polyamide) temperature resistance up to 125° C
Reference standard	IEC 61439-1 GB/T 7251.1

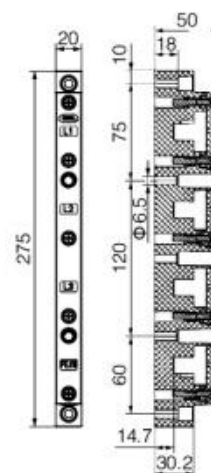


Busbar Support for 60mm System



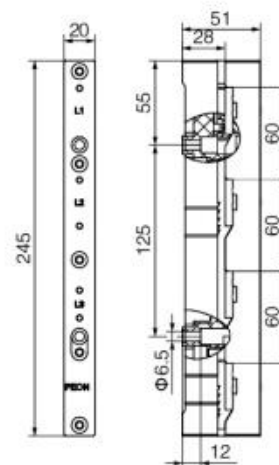
Item No. DN52004

Model No.	MXJ-400
Pole	4P
System	60 mm
For busbar	T shape, 30 x 10 flat copper busbar
For busbar cover	DN53005
Material	PA66 (polyamide) temperature resistance up to 125° C
Reference standard	IEC 61439-1 GB/T 7251.1



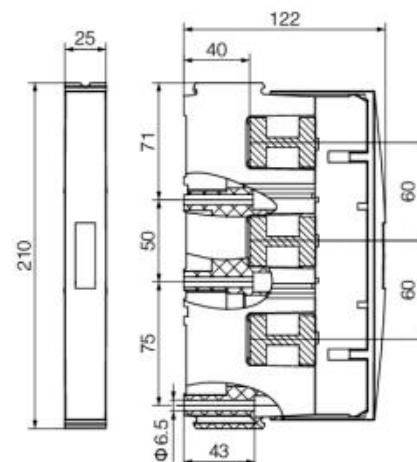
Item No. DN52485

Model No.	MXJ-300
Pole	4P
System	60 mm
For busbar	12, 15, 20, 25, 30 x 5, 10 flat copper busbar
For busbar cover	DN53131
Material	PA66 (polyamide) temperature resistance up to 125° C
Reference standard	IEC 61439-1 GB/T 7251.1



Item No. DN52231

Model No.	MXJ-720
Pole	3P
System	60 mm
For busbar	Busbar in 2T shape (500mm ² , 720mm ²)
For busbar cover	DN53234
Material	PA66 (polyamide) temperature resistance up to 125° C
Reference standard	IEC 61439-1 GB/T 7251.1

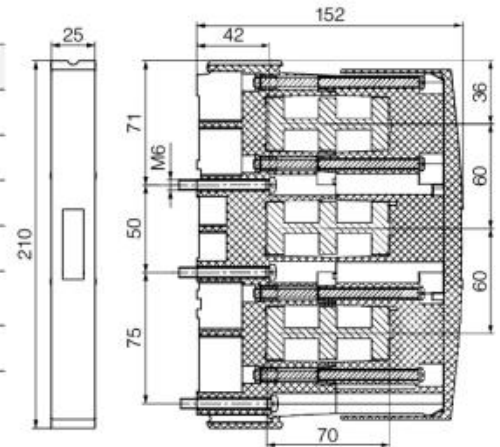


Busbar Support for 60mm System



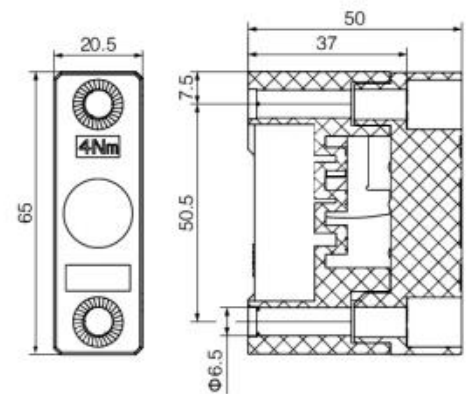
Item No. DN52232

Model No.	MXJ-1140
Pole	3P
System	60 mm
For busbar	Busbar in 3T shape
For busbar cover	DN53234
Material	PA66 (polyamide) temperature resistance up to 125° C
Reference standard	IEC 61439-1 GB/T 7251.1



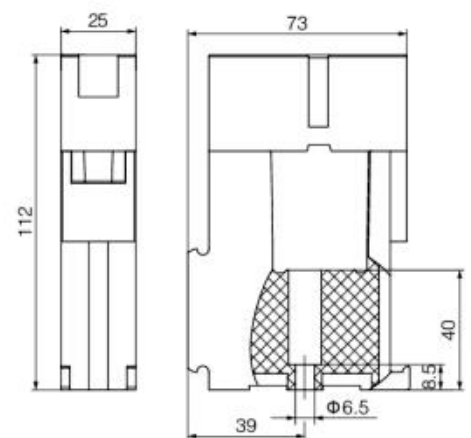
Item No. DN52601

Model No.	MXJ-300
Pole	1P
System	60 mm
For busbar	12、15、20、25、30 x 5、10 flat copper busbar
For busbar cover	/
Material	PA66 (polyamide) temperature resistance up to 125° C
Reference standard	IEC 61439-1 GB/T 7251.1



Item No. DN52116

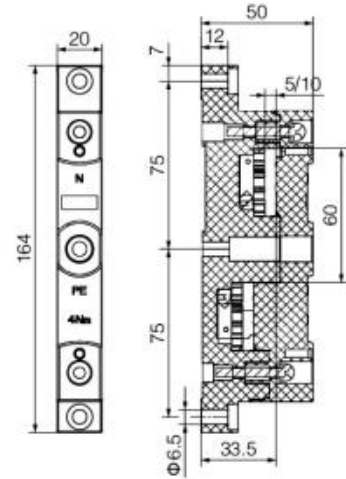
Model No.	MXJ-300
Pole	1P
System	60 mm
For busbar	Busbar in 2T shape (500mm ² 、720mm ²)
For busbar cover	/
Material	PA66 (polyamide) temperature resistance up to 125° C
Reference standard	IEC 61439-1 GB/T 7251.1



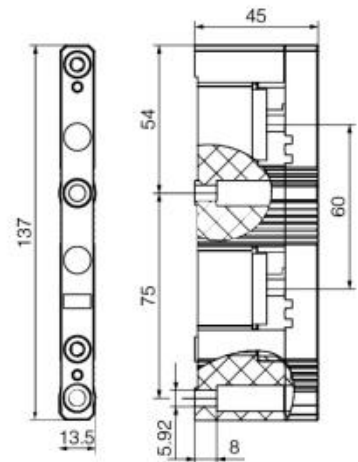
Busbar Support for 60mm System



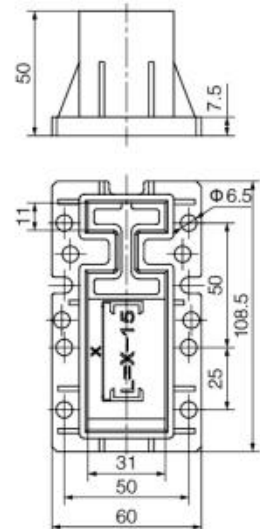
Item No.	DN52356
Model No.	MXJ-300
Pole	2P
System	60 mm
For busbar	12、20、30 x 5、10 flat copper busbar
For busbar cover	/
Material	PA66 (polyamide) temperature resistance up to 125° C
Reference standard	IEC 61439-1 GB/T 7251.1



Item No.	DN52602
Model No.	MXJ-300
Pole	2P
System	60 mm
For busbar	12、20、30 x 5、10 flat copper busbar
For busbar cover	/
Material	PA66 (polyamide) temperature resistance up to 125° C
Reference standard	IEC 61439-1 GB/T 7251.1



Item No.	DN52369
Pole	1P
System	/
For busbar	2T type, 3T type and TCC type busbar
For busbar cover	/
Material	PA66 (polyamide) temperature resistance up to 125° C
Reference standard	IEC 61439-1 GB/T 7251.1

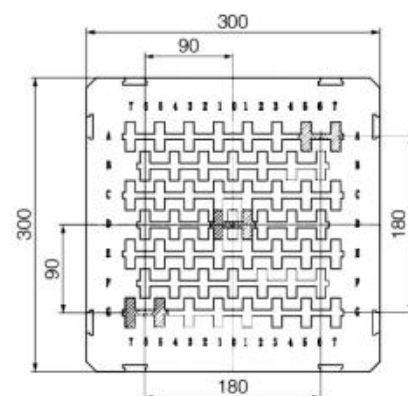


Busbar Support for 60mm System



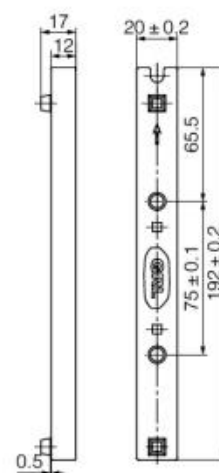
Item No. DN52108

For busbar	Busbar in 2T shape (length and qty is according to actual demand)
System	Center of the power supply
Description	Fasten device are generally demanded outside the busbar support.
Customized solution	2 sets needs to be used at the same time
Material	Unsaturated polyester glass fiber reinforced molding compound
Reference standard	IEC 61439-1 GB/T 7251.1



Item No. DN52496

Pole	3P
System	60 mm
For busbar support	DN52495 DN52002
function	Increase the busbar support height
Material	PA66 (polyamide) temperature resistance up to 125° C
Reference standard	IEC 61439-1 GB/T 7251.1

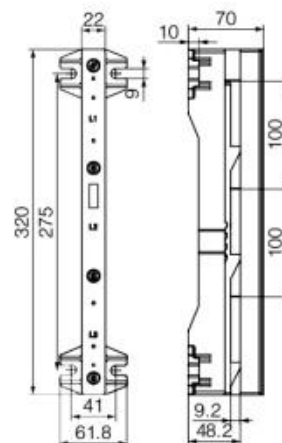


Busbar Support for 100mm System



Item No. DN52479

Model No.	MXJ-720
Pole	3P
System	100 mm
For busbar	30、40、50、60 x 10 flat copper busbar
For busbar cover	DN53254
Material	PA66 (polyamide) temperature resistance up to 125° C
Reference standard	IEC 61439-1 GB/T 7251.1

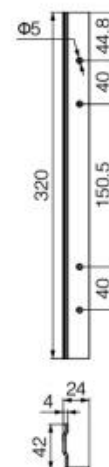


End Cover



Item No. DN53254

Pole	3P
System	100 mm
For busbar support	DN52479
Material	PA66 (polyamide) temperature resistance up to 125° C
Reference standard	IEC 61439-1 GB/T 7251.1

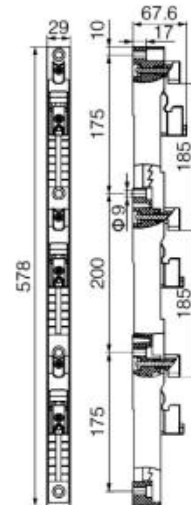


Busbar Support for 185mm System



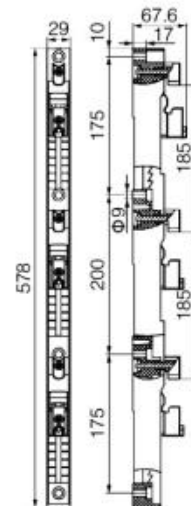
Item No. DN52230

Model No.	MXJ-1140
Pole	3P
System	185 mm
For busbar	30-120 x 10 flat copper busbar
For busbar cover	DN53230
Material	PA66 (polyamide) temperature resistance up to 125° C
Reference standard	IEC 61439-1 GB/T 7251.1



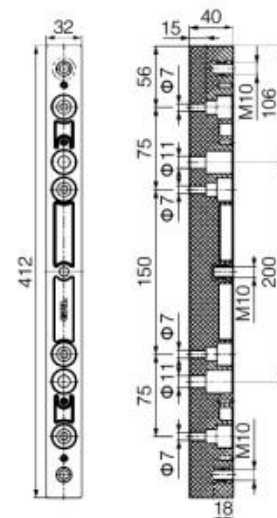
Item No. DN52001

Model No.	MXJ-1140
Pole	3P
System	185 mm
For busbar	30-120 x 5 flat copper busbar
For busbar cover	DN53230
Material	PA66 (polyamide) temperature resistance up to 125° C
Reference standard	IEC 61439-1 GB/T 7251.1



Item No. DN52742

Model No.	MXJ-1140
Pole	3P
System	185 mm
For busbar	30-60 x 10 flat copper busbar needs hole punching
For busbar cover	DN53008
Material	PA66 (polyamide) temperature resistance up to 125° C
Reference standard	IEC 61439-1 GB/T 7251.1

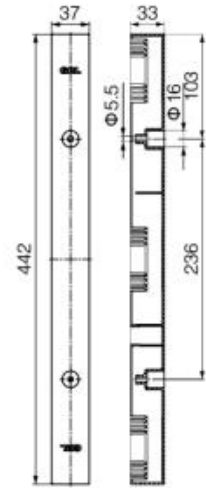


End Cover



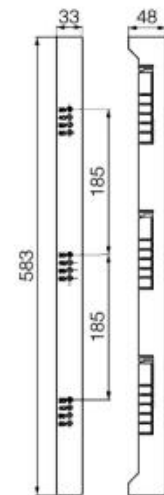
Item No. DN53008

System	185 mm
For busbar support	DN52742
Material	PC (polycarbonate) temperature resistance up to 125° C
Reference standard	IEC 61439-1 GB/T 7251.1



Item No. DN53230

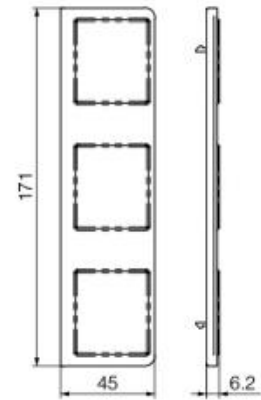
System	185 mm
For busbar support	DN52001 DN52230
Material	PC (polycarbonate) temperature resistance up to 125° C
Reference standard	IEC 61439-1 GB/T 7251.1



End Cover

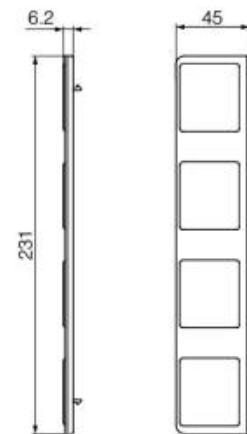
Item No. DN53001

For busbar support	DN52010
Material	PC polycarbonate
Application	It is applied to the end of enclosed busbar, and at the side of busbar support
Reference standard	IEC 61439-1 GB/T 7251.1



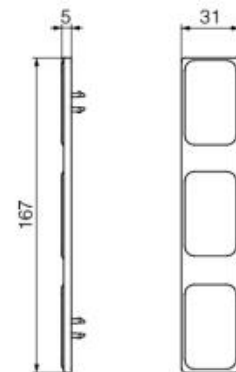
Item No. DN53005

For busbar support	DN52004
Material	PC polycarbonate
Application	It is applied to the end of enclosed busbar, and at the side of busbar support
Reference standard	IEC 61439-1 GB/T 7251.1



Item No. DN53573

For busbar support	DN52495 DN52002 DN52500 DN52005 DN52484 DN52009 DN52508
Material	PC polycarbonate
Application	It is applied to the end of enclosed busbar, and at the side of busbar support
Reference standard	IEC 61439-1 GB/T 7251.1

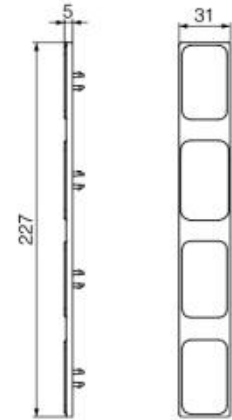


End Cover



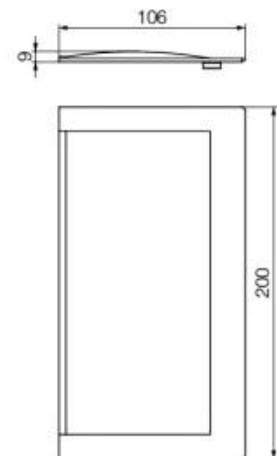
Item No. DN53131

For busbar support	DN52485 DN52357
Material	PC polycarbonate
Application	It is applied to the end of enclosed busbar, and at the side of busbar support
Reference standard	IEC 61439-1 GB/T 7251.1



Item No. DN53234

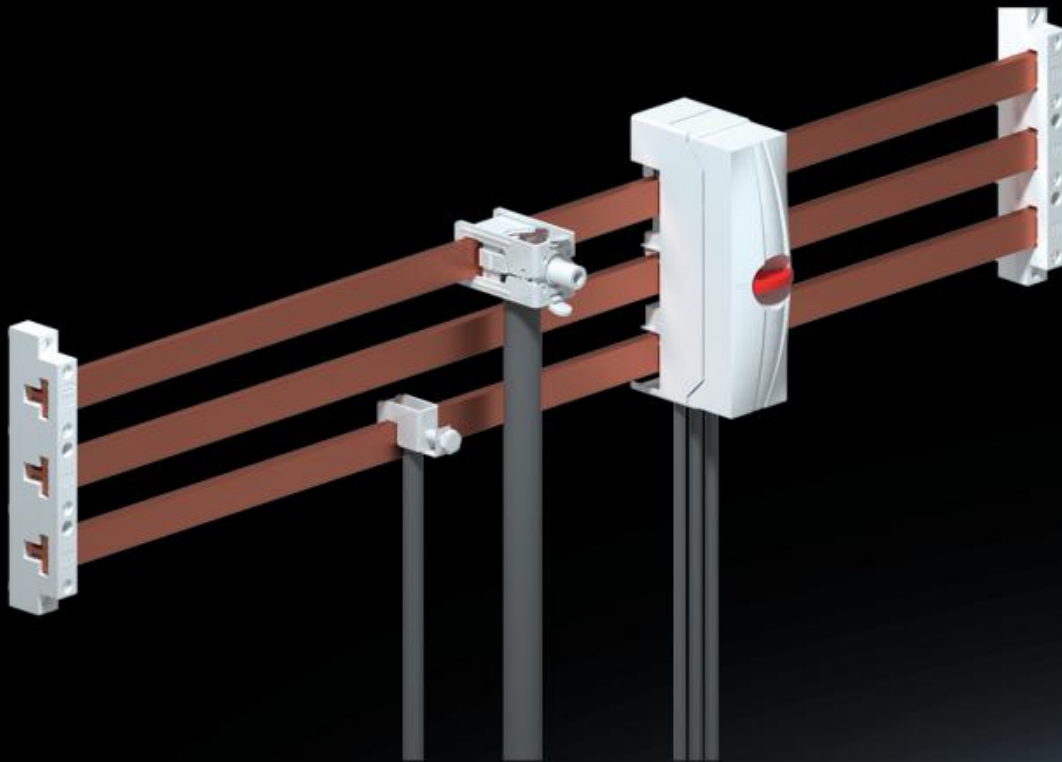
For busbar support	DN52231 DN52232
Material	PC polycarbonate
Application	It is applied to the end of enclosed busbar, and at the side of busbar support
Reference standard	IEC 61439-1 GB/T 7251.1



You worth a good supplier like GRL

Connection Components

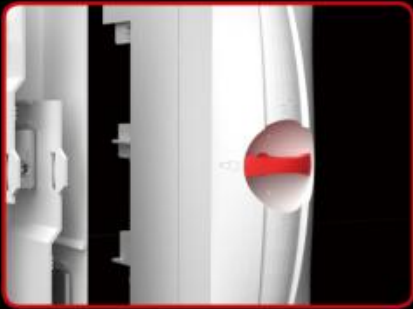
The income and output cable or copper busbar can be connected to the main copper busbar with the busbar terminal, terminal board, lengthened connecting terminal and so on in the way without hole punching .





Connecting terminal

It is convenient to connect cable to the copper busbar quickly with connecting terminal.

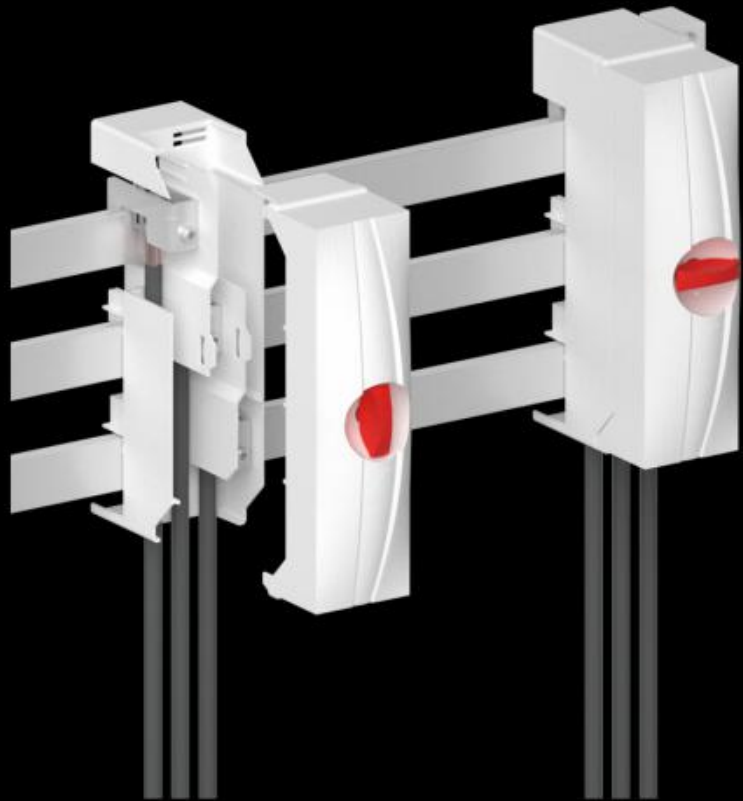


Rotate knob

The lid can be easily disassembled by using the red rotating knob, and the knob is marked with obvious opening/closing indication, which is safer to use

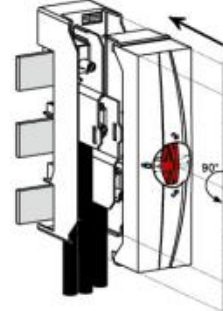
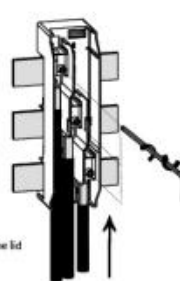
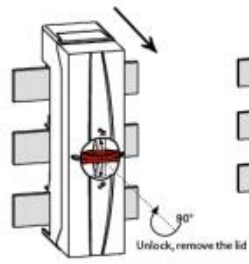
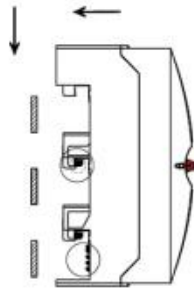
Terminal Board

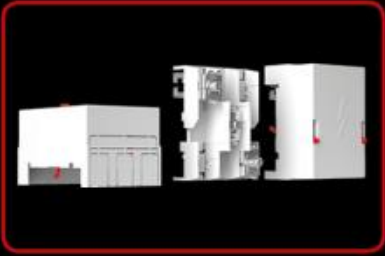
More details please refer to page 26



Installation Instruction

- ① Put the terminal board into the bus bar, push it in the vertical direction as illustrated, and then move it down until the terminal board is installed in place and the locking piece restricts the bus bar.
- ② Remove the cover
- ③ Install the cable
- ④ Install the cover



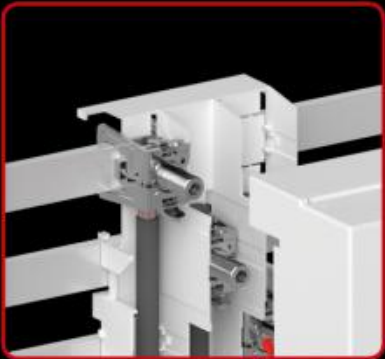


Terminal Board

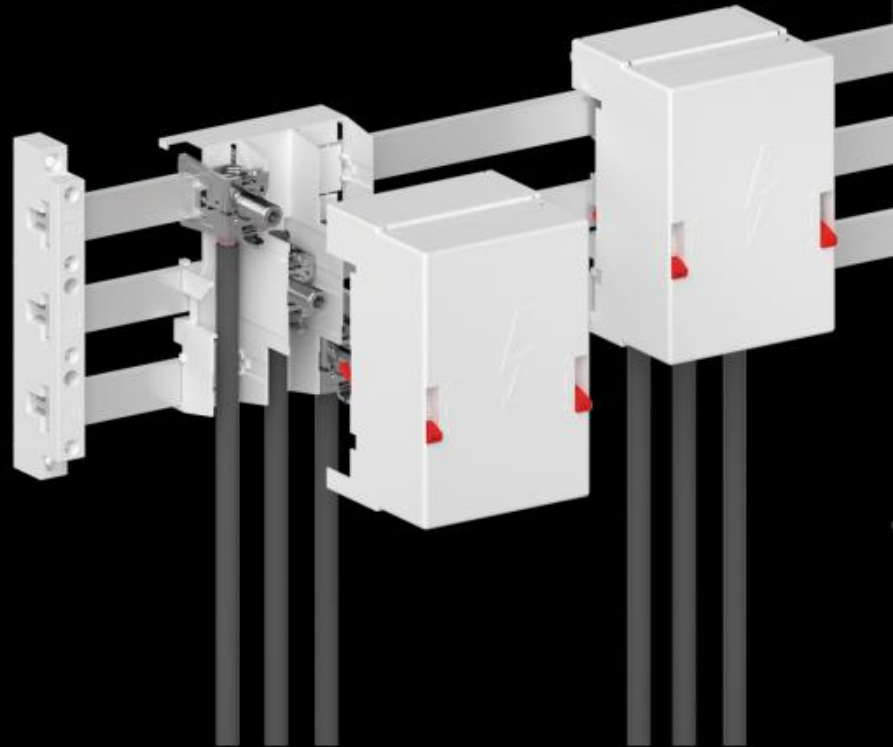
More details please refer to page 26

Connecting Terminal

It is convenient to connect cable to the copper busbar quickly with connecting terminal.



With the hexagon socket screws on the front, it is quick to adjust the tension of the cable or copper busbar.

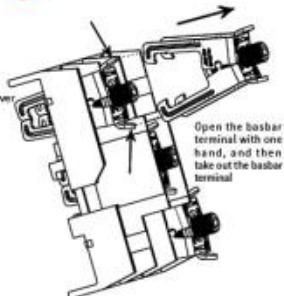


Installation Instruction

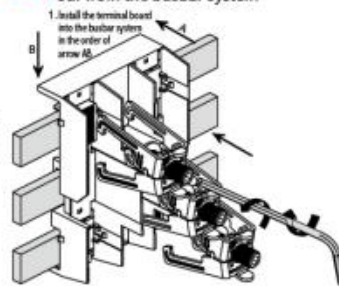
① Remove the cover



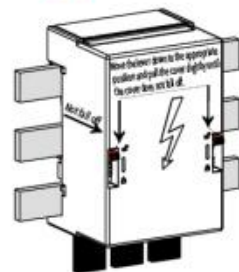
② Remove the busbar terminal



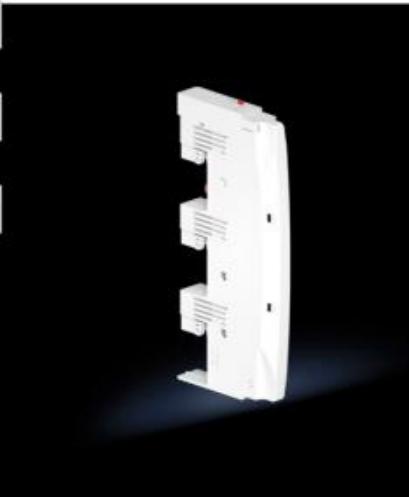
③ Installed into the busbar system / move our from the busbar system



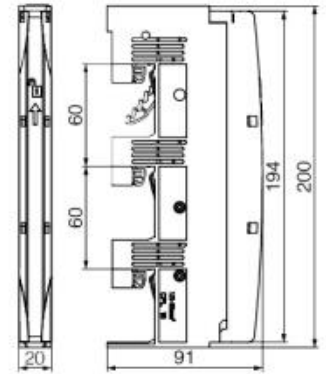
④ Install the cover



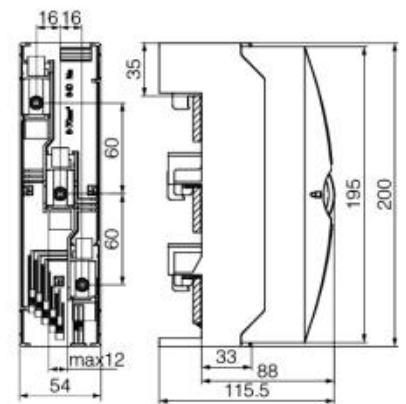
Terminal Board



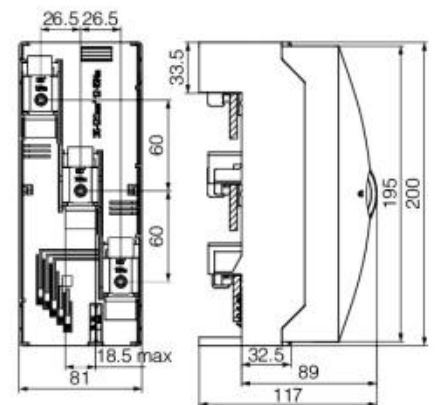
Item No. DN54563	
Model No.	JXB-16
Rated operational current Ie	63 A
Wiring range	1.5 - 16 mm ² round single or round stranded wire
Maximum current carrying capacity	80A
Rated operational voltage Ue	690 V
System	60 mm
Pole	3P
For busbar (mm)	12、15、20、25、30 x 5、10 flat copper busbar
Reference standard	IEC 61439-1 IEC 60999-1 IEC 60999-2 GB/T 7251.1



Item No. DN54240	
Model No.	JXB-50
Rated operational current Ie	175 A
Wiring range	6 - 50 (70) mm ²
Maximum current carrying capacity	300A
Rated operational voltage Ue	690 V
System	60 mm
Pole	3P with cover
For busbar (mm)	12、15、20、25、30 x 5、10 flat copper busbar
Reference standard	IEC 61439-1 IEC 60999-1 IEC 60999-2 GB/T 7251.1



Item No. DN54243	
Model No.	JXB-120
Rated operational current Ie	250 A
Wiring range	35 - 120 mm ²
Maximum current carrying capacity	440A
Rated operational voltage Ue	690 V
System	60 mm
Pole	3P with cover
For busbar (mm)	12、15、20、25、30 x 5、10 flat copper busbar
Reference standard	IEC 61439-1 IEC 60999-1 IEC 60999-2 GB/T 7251.1

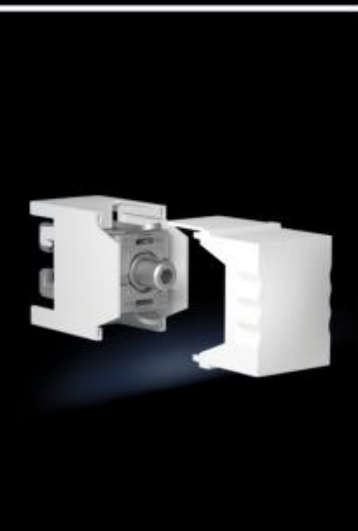
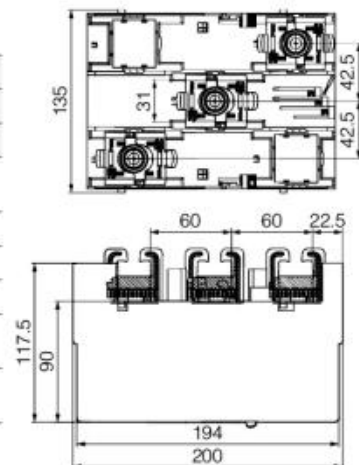


Terminal Board



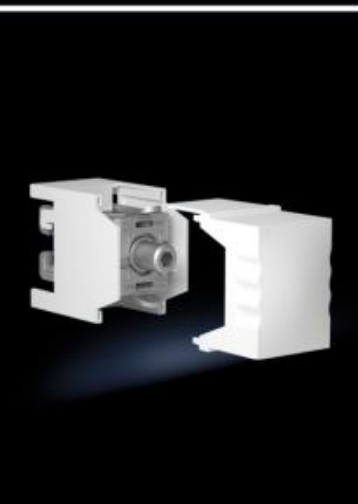
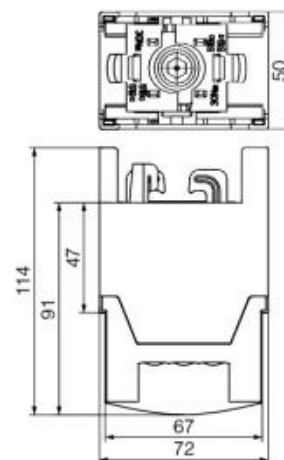
Item No. DN54199

Model No.	JXB-185
Rated operational current Ie	350 A
Wiring range	Copper 95 - 185 mm ² wire
Maximum current carrying capacity	460A
Rated operational voltage Ue	690 V
System	60 mm
Pole	3P with cover
For busbar (mm)	20、25、30 x 5、10 and irregular copper busbar
Reference standard	IEC 61439-1 IEC 60999-1 IEC 60999-2 GB/T 7251.1



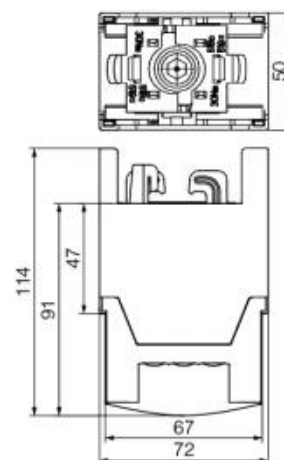
Item No. DN54318

Model No.	JXB-185
Rated operational current Ie	300 A
Wiring range	Copper 95 - 185 mm ² round strands and sector strands wire
Maximum current carrying capacity	500 A
Rated operational voltage Ue	690 V
System	Universal
Pole	1P
For busbar (mm)	20、25、30 x 5、10 and irregular copper busbar
Reference standard	IEC 61439-1 IEC 60999-1 IEC 60999-2 GB/T 7251.1

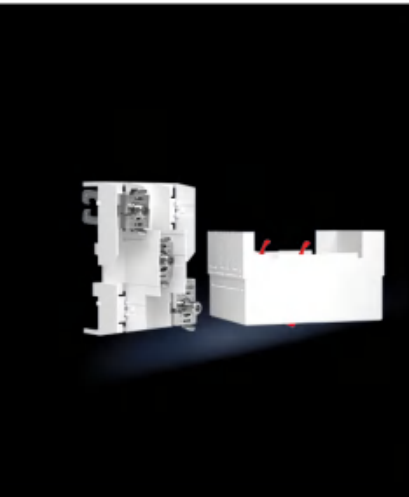


Item No. DN54761

Model No.	JXB-185
Rated operational current Ie	500 A
Wiring range	Copper wire 95 - 300
Maximum current carrying capacity	600 A
Rated operational voltage Ue	690 V
System	Universal
Pole	1P
For busbar (mm)	20、25、30 x 5、10 and irregular copper busbar
Reference standard	IEC 61439-1 IEC 60999-1 IEC 60999-2 GB/T 7251.1

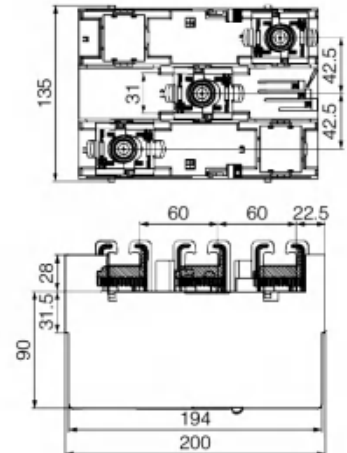


Terminal Board



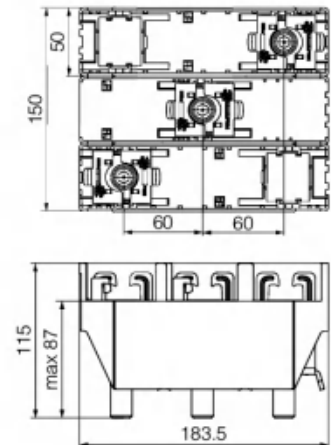
Item No. DN54754

Model No.	JXB-300 (with cover)
Rated operational current Ie	500 A
Wiring range	Copper wire 95-300 mm ²
Maximum current carrying capacity	560A
Rated operational voltage Ue	690 V
System	60 mm
Pole	3P
For busbar (mm)	20、25、30 x 5、10 and irregular copper busbar
Reference standard	IEC 61439-1 IEC 60999-1 IEC 60999-2 GB/T 7251.1



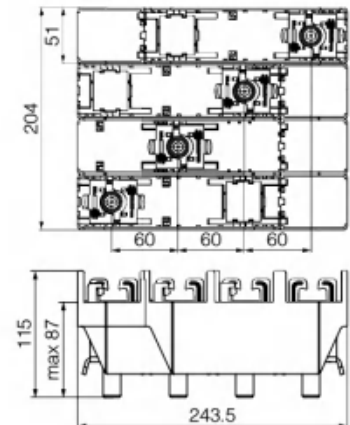
Item No. DN54537

Model No.	JXB-300 (with cover)
Rated operational current Ie	500 A
Wiring range	Copper wire 95 - 300 mm ²
Maximum current carrying capacity	560A
Rated operational voltage Ue	690 V
System	60 mm
Pole	3P
For busbar (mm)	20、25、30 x 5、10 and irregular copper busbar
Reference standard	IEC 61439-1 IEC 60999-1 IEC 60999-2 GB/T 7251.1

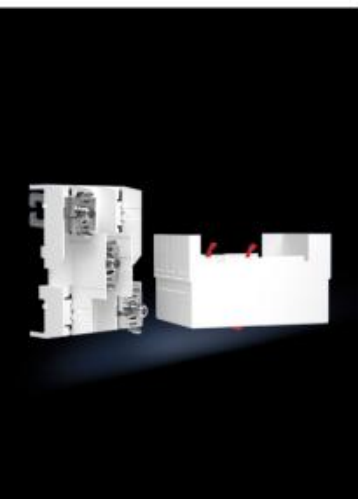


Item No. DN54147

Model No.	JXB-300 (with cover)
Rated operational current Ie	500 A
Wiring range	Copper wire 95 - 300 mm ²
Maximum current carrying capacity	560A
Rated operational voltage Ue	690 V
System	60 mm
Pole	4P
For busbar (mm)	20、25、30 x 5、10 and irregular copper busbar
Reference standard	IEC 61439-1 IEC 60999-1 IEC 60999-2 GB/T 7251.1

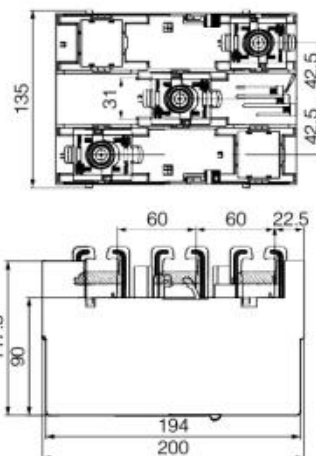


Terminal Board



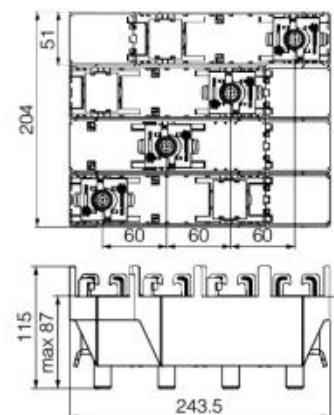
Item No. DN54753

Model No.	JXB-300 (with cover)
Rated operational current Ie	550 A
Connecting copper busbar	Multi-layer Laminated copper busbar from 3mm x20 mm x 1mm to 10mm x 32mm x 1 mm
Maximum current carrying capacity	800A
Rated operational voltage Ue	690 V
System	60 mm
Pole	3P
For busbar (mm)	20、25、30 x 5、10 and irregular copper busbar
Reference standard	IEC 61439-1 IEC 60999-1 IEC 60999-2 GB/T 7251.1



Item No. DN54162

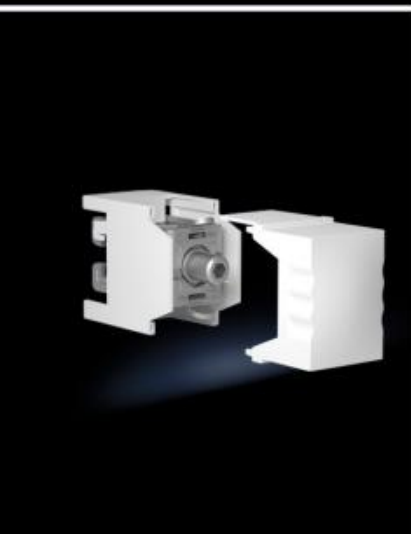
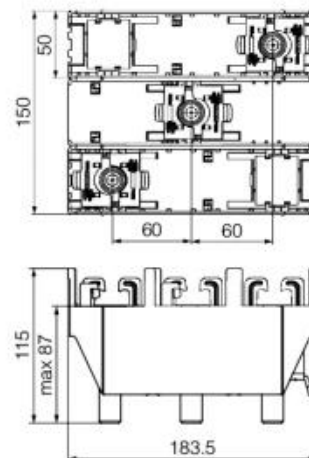
Model No.	JXB-300 (without cover)
Rated operational current Ie	550 A
Connecting copper busbar	Multi-layer flexible copper bar from 3mm x 20mm x 1mm to 10 mm x 32mm x 1mm
Maximum current carrying capacity	800A
Rated operational voltage Ue	690 V
System	60 mm
Pole	4P
For busbar (mm)	20、25、30 x 5、10 and irregular copper busbar
Reference standard	IEC 61439-1 IEC 60999-1 IEC 60999-2 GB/T 7251.1



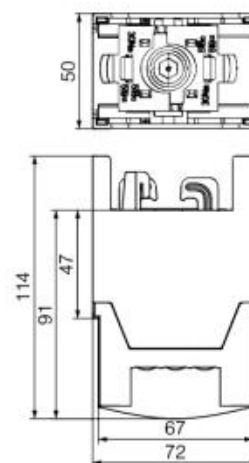
Terminal Board



Item No. DN54538	
Model No.	JXB-300 (without cover)
Rated operational current Ie	550 A
Connecting copper busbar	Multi-layer Laminated copper busbar from 3mm x20 mm x 1mm to 10mm x 32mm x 1 mm
Maximum current carrying capacity	800A
Rated operational voltage Ue	690 V
System	60 mm
Pole	3P
For busbar (mm)	20、25、30 x 5、10 and irregular copper busbar
Reference standard	IEC 61439-1 IEC 60999-1 IEC 60999-2 GB/T 7251.1



Item No. DN54029	
Model No.	JXB-300
Rated operational current Ie	500 A
Connecting copper busbar	Multilayer Laminated copper busbar from 3mm x20 mm x 1mm to 10mm x 32mm x 1 mm
Maximum current carrying capacity	750 A
Rated operational voltage Ue	690 V
System	Universal
Pole	1P
For busbar (mm)	20、25、30 x 5、10 and irregular copper busbar
Reference standard	IEC 61439-1 IEC 60999-1 IEC 60999-2 GB/T 7251.1

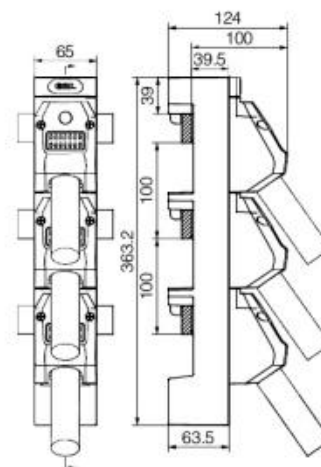


Terminal Board



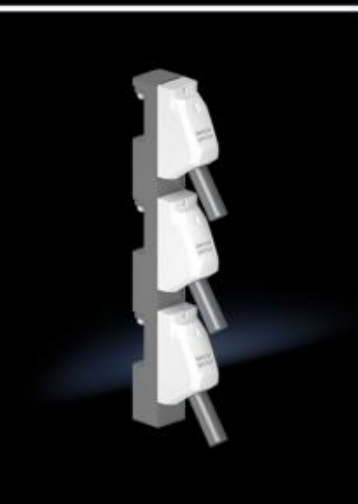
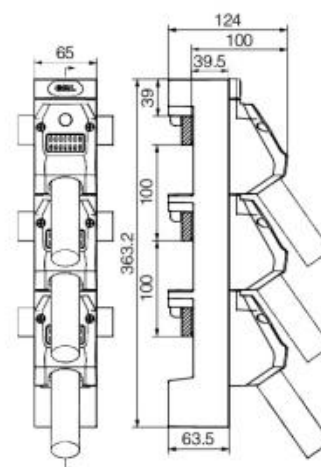
Item No. DN54100

Rated operational current I_e	400 A
Rated operational voltage U_e	690 V
System	100mm
Pole	3P
For busbar (mm)	15、20、25、30 x 5、10 flat copper busbar and irregular copper busbar
Wiring range	120 - 240 mm ² c
Reference standard	IEC 61439-1 IEC 60999-1 IEC 60999-2 GB/T 7251.1



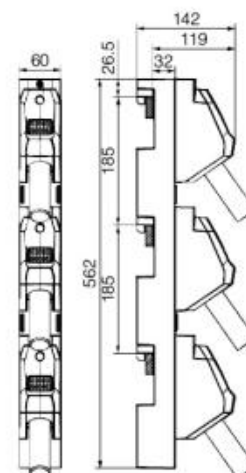
Item No. DN54101

Rated operational current I_e	630 A
Rated operational voltage U_e	690 V
System	100mm
Pole	3P
For busbar (mm)	15、20、25、30 x 5、10 flat copper busbar and irregular copper busbar
Wiring range	150 - 300 mm ² c
Reference standard	IEC 61439-1 IEC 60999-1 IEC 60999-2 GB/T 7251.1

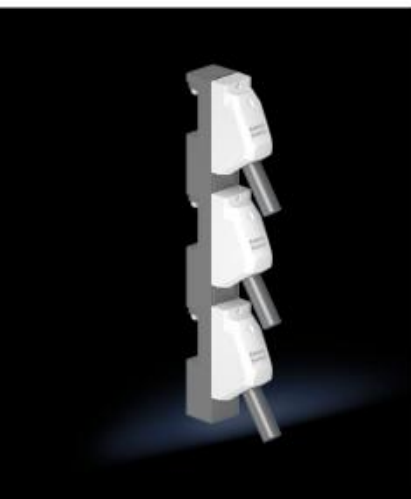


Item No. DN54185

Rated operational current I_e	400 A
Rated operational voltage U_e	690 V
System	185mm
Pole	3P
For busbar (mm)	15、20、25、30 x 5、10 flat copper busbar and irregular copper busbar
Wiring range	120 - 240 mm ² round single or stranded wire
Reference standard	IEC 61439-1 IEC 60999-1 IEC 60999-2 GB/T 7251.1

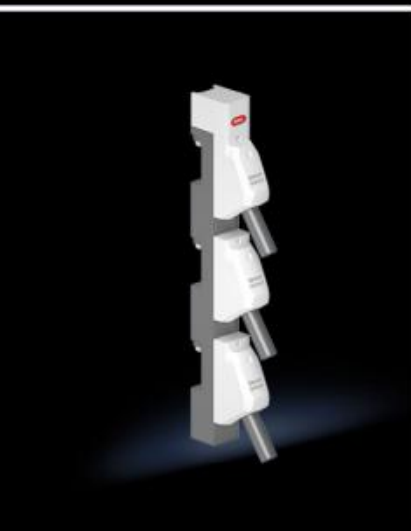
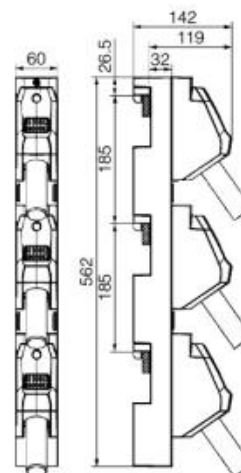


Terminal Board



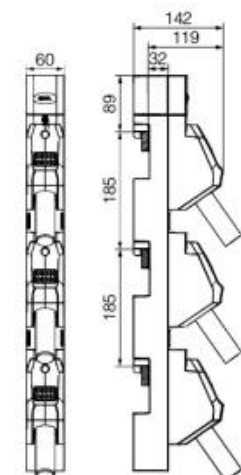
Item No. DN54186

Rated operational current I_n	630 A
Rated operational voltage U_e	690 V
System	185mm
Pole	3P
For busbar (mm)	15、20、25、30 x 5、10 flat copper busbar and irregular copper busbar
Wiring range	150 - 300 mm ² round single or stranded wire
Reference standard	IEC 61439-1 IEC 60999-1 IEC 60999-2 GB/T 7251.1



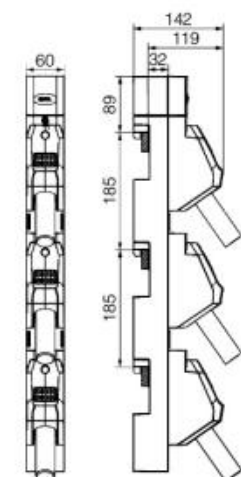
Item No. DN54187

Rated operational current I_n	400 A
Rated operational voltage U_e	690 V
System	185mm
Pole	3P
For busbar (mm)	15、20、25、30 x 5、10 flat copper busbar and irregular copper busbar
Wiring range	120 - 240 mm ² round single or stranded wire
Reference standard	IEC 61439-1 IEC 60999-1 IEC 60999-2 GB/T 7251.1



Item No. DN54188

Rated operational current I_n	630 A
Rated operational voltage U_e	690 V
System	185mm
Pole	3P
For busbar (mm)	15、20、25、30 x 5、10 flat copper busbar and irregular copper busbar
Wiring range	150 - 300 mm ² round single or stranded wire
Reference standard	IEC 61439-1 IEC 60999-1 IEC 60999-2 GB/T 7251.1

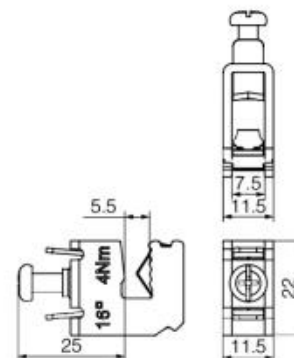


Busbar Clamp—Cable Connection



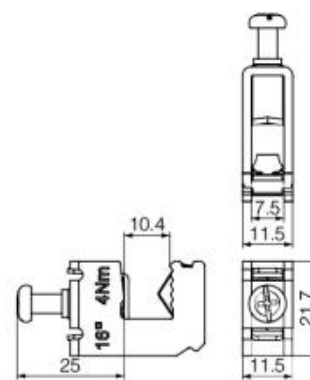
Item No. DN54284

Model No.	LJJ-16
Rated operational current I_e	65 A
Maximum current carrying capacity	180 A
Rated operational voltage U_e	690 V
Rated impulse withstand current I_{pk}	30.6 kA
Opening dimension	7.5*7.5mm
For busbar (mm)	Flat copper busbar 5mm
Wiring range	1.5 - 16mm ²
Reference standard	IEC 61439-1 IEC 60999-1 IEC 60999-2 GB/T 7251.1

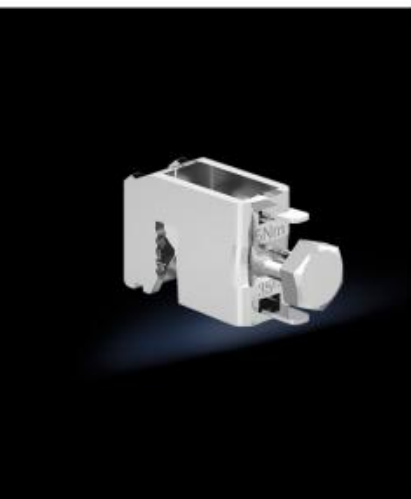


Item No. DN54289

Model No.	LJJ-16
Rated operational current I_e	65 A
Maximum current carrying capacity	180 A
Rated operational voltage U_e	690 V
Rated impulse withstand current I_{pk}	30.6 kA
Opening dimension	7.5*7.5mm
For busbar (mm)	Flat copper busbar 10mm
Wiring range	1.5 - 16mm ²
Reference standard	IEC 61439-1 IEC 60999-1 IEC 60999-2 GB/T 7251.1

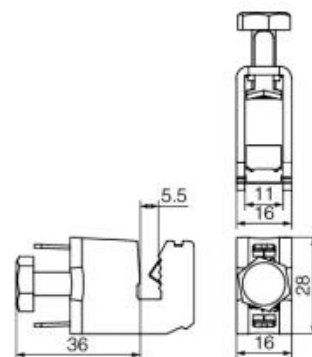


Busbar Clamp—Cable Connection



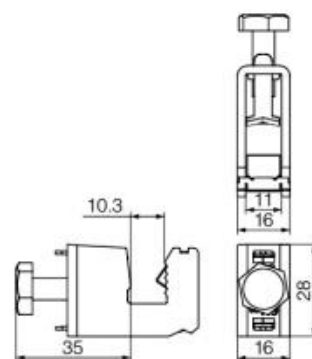
Item No. DN54285

Model No.	LJJ-35
Rated operational current I_e	115 A
Maximum current carrying capacity	270 A
Rated operational voltage U_e	690 V
Rated impulse withstand current I_{pk}	34.9 kA
Opening dimension	10.5*11mm
For busbar (mm)	Flat copper busbar 5 mm
Wiring range	4 - 35 mm ²
Reference standard	IEC 61439-1 IEC 60999-1 IEC 60999-2 GB/T 7251.1



Item No. DN54290

Model No.	LJJ-35
Rated operational current I_e	115 A
Maximum current carrying capacity	270 A
Rated operational voltage U_e	690 V
Rated impulse withstand current I_{pk}	34.5 kA
Opening dimension	10.5*11mm
For busbar (mm)	Flat copper busbar 10mm
Wiring range	4 - 35 mm ²
Reference standard	IEC 61439-1 IEC 60999-1 IEC 60999-2 GB/T 7251.1

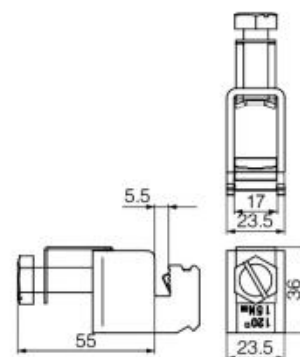


Busbar Clamp—Cable Connection



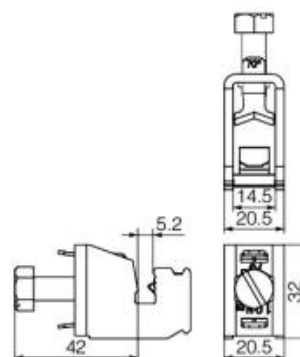
Item No. DN54203

Model No.	LJJ-120
Rated operational current I_e	250 A
Maximum current carrying capacity	440 A
Rated operational voltage U_e	690 V
Rated impulse withstand current I_{pk}	62.8 kA
Opening dimension	17*15mm
For busbar (mm)	Flat copper busbar 10 mm and irregular copper busbar
Wiring range	16 - 120 mm ²
Reference standard	IEC 61439-1 IEC 60999-1 IEC 60999-2 GB/T 7251.1

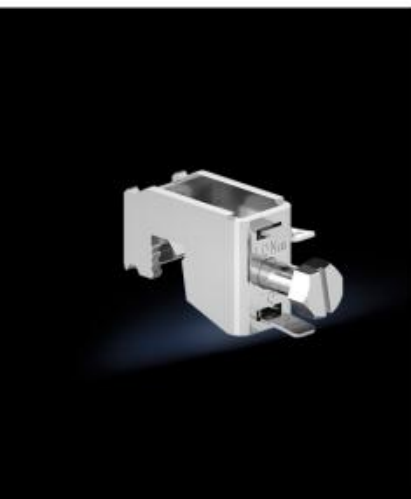


Item No. DN54287

Model No.	LJJ-70
Rated operational current I_e	175 A
Maximum current carrying capacity	400 A
Rated operational voltage U_e	690 V
Rated impulse withstand current I_{pk}	46.7 kA
Opening dimension	14*14mm
For busbar (mm)	Flat copper busbar 5 mm
Wiring range	16 - 70 mm ²
Reference standard	IEC 61439-1 IEC 60999-1 IEC 60999-2 GB/T 7251.1

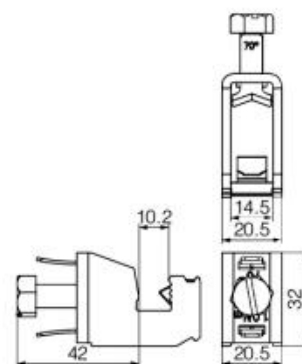


Busbar Clamp—Cable Connection



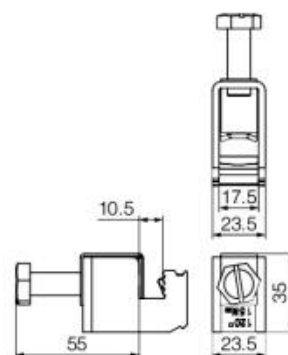
Item No. DN54292

Model No.	LJJ-70
Rated operational current I_e	175 A
Maximum current carrying capacity	400 A
Rated operational voltage U_e	690 V
Rated impulse withstand current I_{pk}	46.7 kA
Opening dimension	14*14mm
For busbar (mm)	Flat copper busbar 10 mm and irregular copper busbar
Wiring range	16 - 70 mm ²
Reference standard	IEC 61439-1 IEC 60999-1 IEC 60999-2 GB/T 7251.1



Item No. DN54068

Model No.	LJJ-120
Rated operational current I_e	250 A
Maximum current carrying capacity	440 A
Rated operational voltage U_e	690 V
Rated impulse withstand current I_{pk}	27.7 kA
Opening dimension	17*15mm
For busbar (mm)	Flat copper busbar 5mm
Wiring range	16 - 120 mm ²
Reference standard	IEC 61439-1 IEC 60999-1 IEC 60999-2 GB/T 7251.1

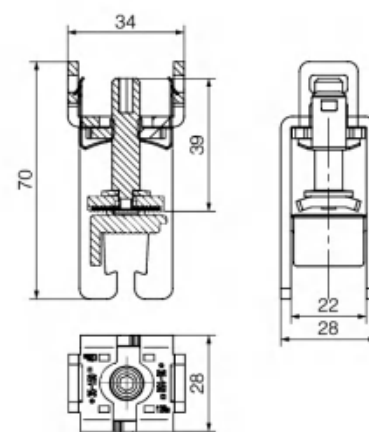


Busbar Clamp—Cable Connection



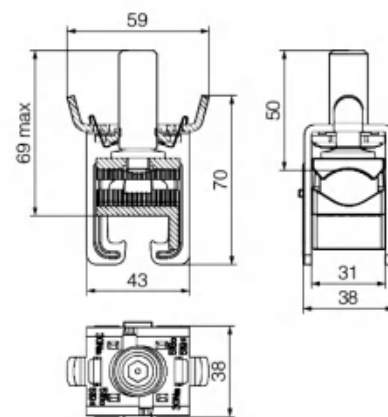
Item No. DN54135

Model No.	LJJ-185
Rated operational current I_e	275A
Maximum current carrying capacity	480A
Rated operational voltage U_e	690V
Rated impulse withstand current I_{pk}	50KA
For busbar (mm)	12、20 x 5、10mm
Wiring range	35 - 150mm ²
Reference standard	IEC 61439-1 IEC 60999-1 IEC 60999 2 GB/T 7251.1



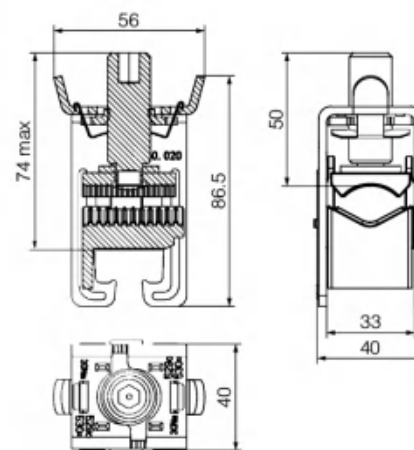
Item No. DN54317

Model No.	LJJ-185
Rated operational current I_e	300 A
Maximum current carrying capacity	500 A
Rated operational voltage U_e	690 V
Rated impulse withstand current I_{pk}	25 kA
For busbar (mm)	20、25、30 x 5、10mm and irregular copper busbar
Wiring range	Copper 95 - 185 mm ² round strands and sector strands wire
Reference standard	IEC 61439-1 IEC 60999-1 IEC 60999-2 GB/T 7251.1



Item No. DN54760

Model No.	LJJ-300
Rated operational current I_e	500 A
Maximum current carrying capacity	600 A
Rated operational voltage U_e	690 V
Rated impulse withstand current I_{pk}	26.1 kA
For busbar (mm)	20、25、30 x 5、10mm and irregular copper busbar
Wiring range	Copper 95- 300mm ² round strands cable, sector strands wire and find round wire (connect directly)
Reference standard	IEC 61439-1 IEC 60999-1 IEC 60999-2 GB/T 7251.1

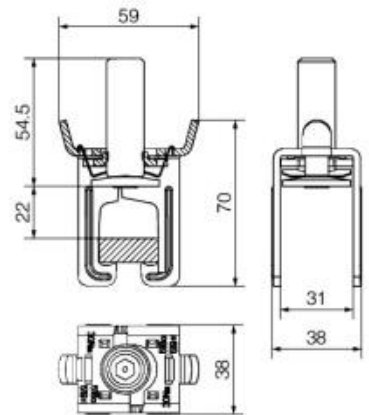


Busbar Clamp—Busbar Connection



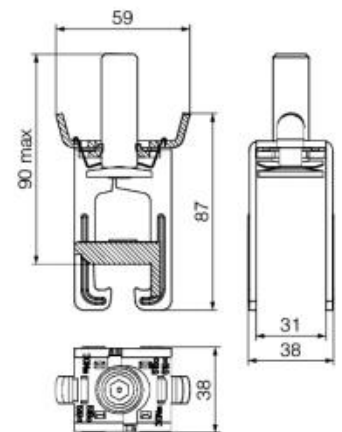
Item No. DN54319

Model No.	LJJ-300
Rated operational current I_e	500 A
Side power supply	630 A
Central power supply	750 A
Rated operational voltage U_e	690 V
For busbar (mm)	20、25、30 x 5、10mm and irregular copper busbar
Wiring range	Multilayer copper bar from 3x20x1 to 10x24x1
Reference standard	IEC 61439-1 IEC 60999-1 IEC 60999-2 GB/T 7251.1



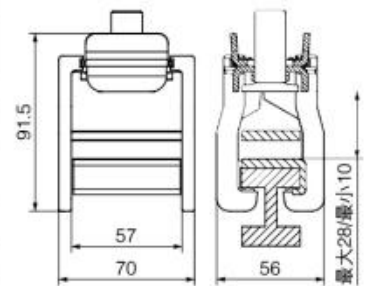
Item No. DN54759

Model No.	LJJ-300
Rated operational current I_e	550 A
Side power supply	630 A
Central power supply	800 A
Rated operational voltage U_e	690 V
For busbar (mm)	20、25、30 x 5、10mm and irregular copper busbar
Wiring range	Multilayer copper bar from 3X 20 X 1 to 10X 32 X 1
Reference standard	IEC 61439-1 IEC 60999-1 IEC 60999-2 GB/T 7251.1



Item No. DN54069

Model No.	LJJ-300
Rated operational current I_e	1600 A
Side power supply	1600 A
Central power supply	2000 A
Rated operational voltage U_e	690 V
For busbar (mm)	30 x 10mm and irregular copper busbar
Opening dimension	55 x 28mm
Reference standard	IEC 61439-1 IEC 60999-1 IEC 60999-2 GB/T 7251.1

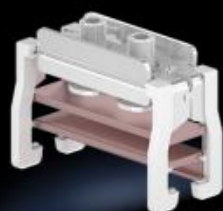
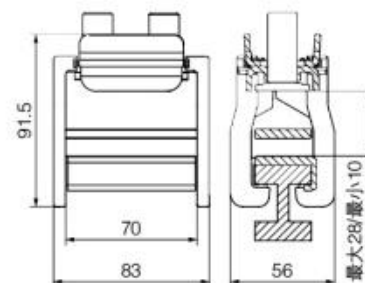


Busbar Clamp—Copper Bar Connection



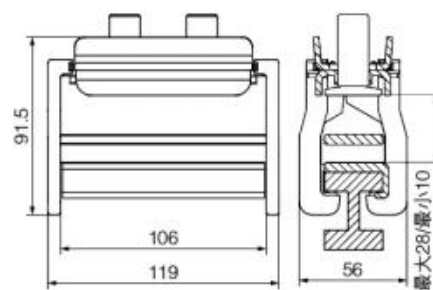
Item No. DN54070

Model No.	LJJ-300
Rated operational current Ie	1600 A
Side power supply	1600 A
Central power supply	2000 A
Rated operational voltage Ue	690 V
For busbar (mm)	30 x 10mm and irregular copper busbar
Opening dimension	68 x 28mm
Reference standard	IEC 61439-1 IEC 60999-1 IEC 60999-2 GB/T 7251.1



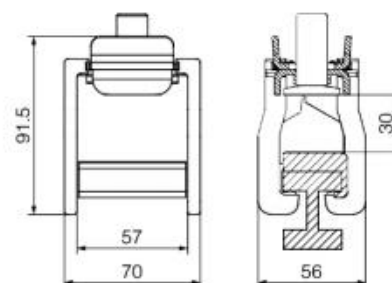
Item No. DN54071

Model No.	LJJ-300
Rated operational current Ie	1600 A
Side power supply	1600 A
Central power supply	2800 A
Rated operational voltage Ue	690 V
For busbar (mm)	30 x 10mm and irregular copper busbar
Opening dimension	105 x 28mm connect 1000 - 2000 mm ²
Reference standard	IEC 61439-1 IEC 60999-1 IEC 60999-2 GB/T 7251.1



Item No. DN54211

Model No.	LJJ-300
Rated operational current Ie	1600 A
Side power supply	1600 A
Central power supply	2000 A
Rated operational voltage Ue	690 V
For busbar (mm)	30 x 10mm and irregular copper busbar
Opening dimension	55 x 28mm
Reference standard	IEC 61439-1 IEC 60999-1 IEC 60999-2 GB/T 7251.1

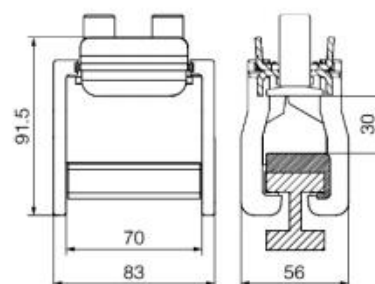


Busbar Clamp—Busbar Connection



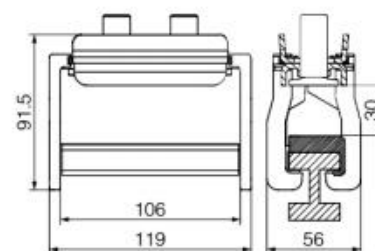
Item No. DN54212

Model No.	LJJ-300
Rated operational current I_e	1600 A
Side power supply	1600 A
Central power supply	2000 A
Rated operational voltage U_e	690 V
For busbar (mm)	30 x 10mm and irregular copper busbar
Opening dimension	68 x 30mm
Reference standard	IEC 61439-1 IEC 60999-1 IEC 60999-2 GB/T 7251.1



Item No. DN54213

Model No.	LJJ-300
Rated operational current I_e	1600 A
Side power supply	1600 A
Central power supply	2800 A
Rated operational voltage U_e	690 V
For busbar (mm)	30 x 10mm and irregular copper busbar
Opening dimension	105 x 30mm connect 1000 - 2000 mm ²
Reference standard	IEC 61439-1 IEC 60999-1 IEC 60999-2 GB/T 7251.1

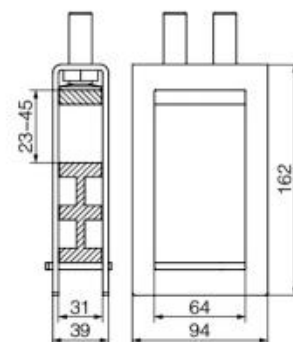


Busbar Clamp—for Irregular Busbar



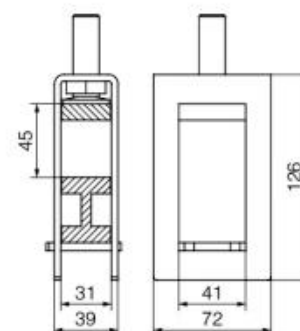
Item No. DN54008

Rated operational current I_e	2000 A
Side power supply	2000 A
Central power supply	2500 A
Rated operational voltage U_e	690 V
For busbar (mm)	3T shape busbar
Opening dimension	44 x 23-45mm
Reference standard	IEC 61439-1 GB/T 7251.1



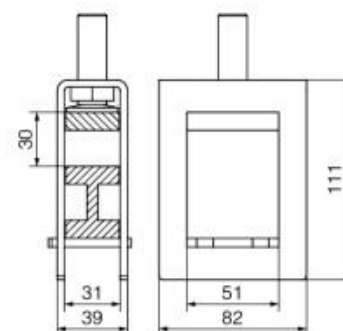
Item No. DN54905

Rated operational current I_e	1600 A
Side power supply	1600 A
Central power supply	1600 A
Rated operational voltage U_e	690 V
For busbar (mm)	2T shape busbar
Opening dimension	41 x 20-45mm
Reference standard	IEC 61439-1 GB/T 7251.1



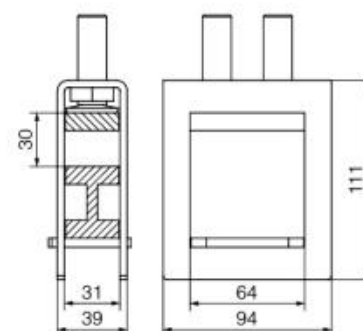
Item No. DN54906

Rated operational current I_e	1600 A
Side power supply	1600 A
Central power supply	1600 A
Rated operational voltage U_e	690 V
For busbar (mm)	2T shape busbar
Opening dimension	51 x 5-30mm
Reference standard	IEC 61439-1 GB/T 7251.1

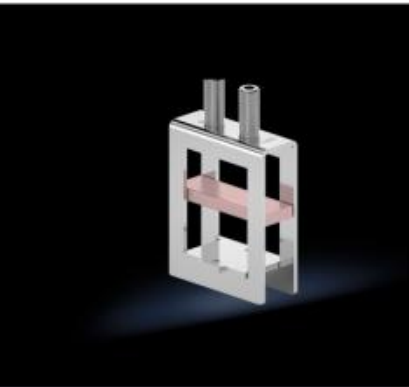


Item No. DN54907

Rated operational current I_e	1600 A
Side power supply	1600 A
Central power supply	1600 A
Rated operational voltage U_e	690 V
For busbar (mm)	2T shape busbar
Opening dimension	64 x 5-30mm
Reference standard	IEC 61439-1 GB/T 7251.1

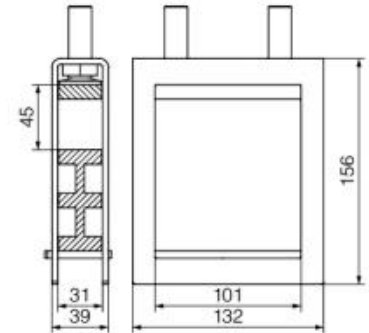


Busbar Clamp—for Irregular Busbar



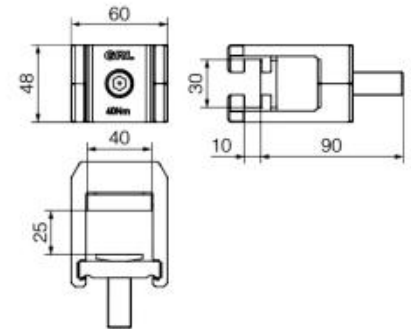
Item No. DN54908

Rated operational current I_e	2500 A
Side power supply	2500 A
Central power supply	3200 A
Rated operational voltage U_e	690 V
For busbar (mm)	2T shape busbar
Opening dimension	101 x 23-45mm
Reference standard	IEC 61439-1 GB/T 7251.1



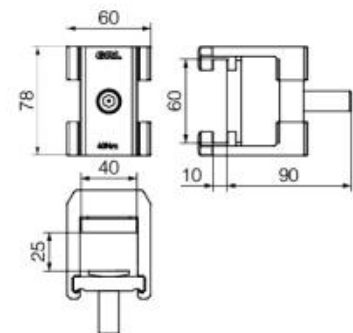
Item No. DN54092

Max carrying current IEC	1250 A
Rated operational voltage U_e	690 V
For busbar (mm)	30 x 10mm and irregular copper busbar
Wiring range	Flat copper / Laminated copper up to 40x25mm or 2x40x10mm.
Reference standard	IEC 61439-1 IEC 60999-1 IEC 60999-2 GB/T 7251.1



Item No. DN54034

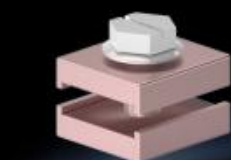
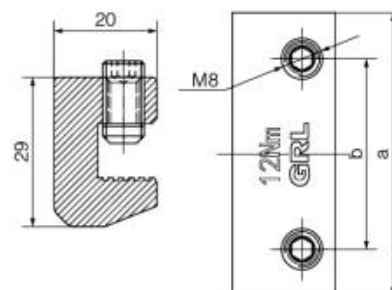
Max carrying current IEC	1250 A
Rated operational voltage U_e	690 V
For busbar (mm)	30 x 10mm and irregular copper busbar
Wiring range	Flat copper busbar / Laminated copper busbar max 40 x 25 mm or 2 x 40 x 10 mm.
Reference standard	IEC 61439-1 IEC 60999-1 IEC 60999-2 GB/T 7251.1



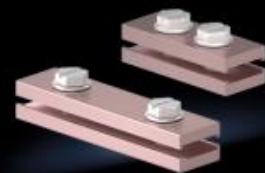
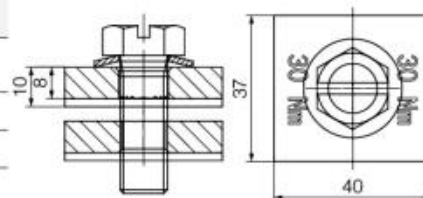
Busbar Clamp—Extension Connection Clamp



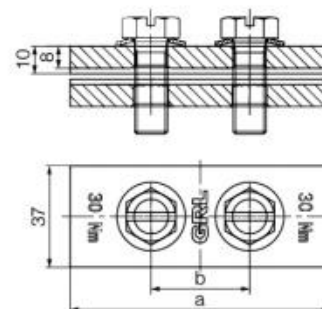
Item No.	DN54166	DN54193
a (mm)	55	150
b (mm)	37	132
Rated operational current Ie	250A	
Rated operational voltage Ue	690 V	
For busbar (mm)	12、15、20 x 5、10 flat copper busbar	
Reference standard	IEC 61439-1 GB/T 7251.1	



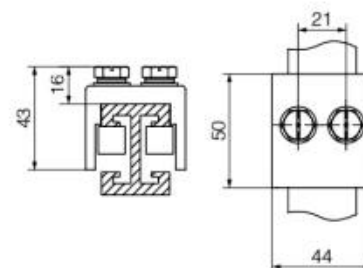
Item No.	DN54823	
Rated operational current Ie	630A	
Rated operational voltage Ue	690 V	
For busbar (mm)	12、15、20 x 5、10 flat copper busbar	
Reference standard	IEC 61439-1 GB/T 7251.1	



Item No.	DN54141	DN54886
a (mm)	95	150
b (mm)	36	85
Rated operational current Ie	630A	
Rated operational voltage Ue	690V	
For busbar (mm)	12、15、20 x 5、10 flat copper busbar	
Reference standard	IEC 61439-1 GB/T 7251.1	



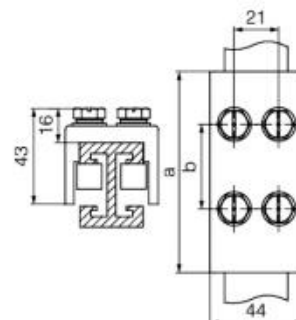
Item No.	DN54827	
Rated operational current Ie	1600A	
Rated operational voltage Ue	690 V	
For busbar (mm)	2T copper busbar	
Distance between busbars (mm)	9-20	
Reference standard	IEC 61439-1 GB/T 7251.1	



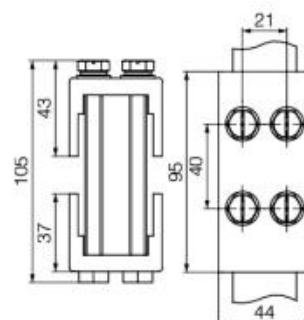
Busbar Clamp—Extension Connection Clamp



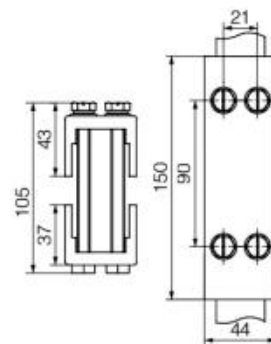
Item No.	DN54145	DN54829
a (mm)	95	150
b (mm)	40	90
Rated operational current I_e	1600A	
Rated operational voltage U_e	690 V	
For busbar (mm)	2T copper busbar	



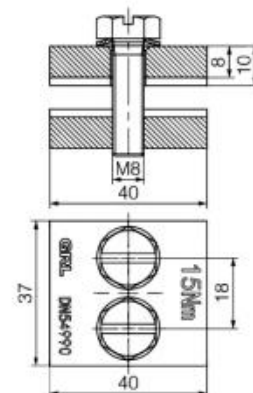
Item No.	DN54274 L	
Rated operational current I_e	2500A	
Rated operational voltage U_e	690 V	
For busbar (mm)	3T copper busbar	
Distance between busbars (mm)	50-60	
Reference standard	IEC 61439-1 GB/T 7251.1	



Item No.	DN54275 L	
Rated operational current I_e	2500A	
Rated operational voltage U_e	690 V	
For busbar (mm)	3T copper busbar	
Distance between busbars (mm)	100-110	
Reference standard	IEC 61439-1 GB/T 7251.1	



Item No.	DN54990	
Rated operational current I_e	630A	
Rated operational voltage U_e	690 V	
For busbar (mm)	12, 15, 20 x 5, 10 flat copper busbar	
Reference standard	IEC 61439-1 GB/T 7251.1	

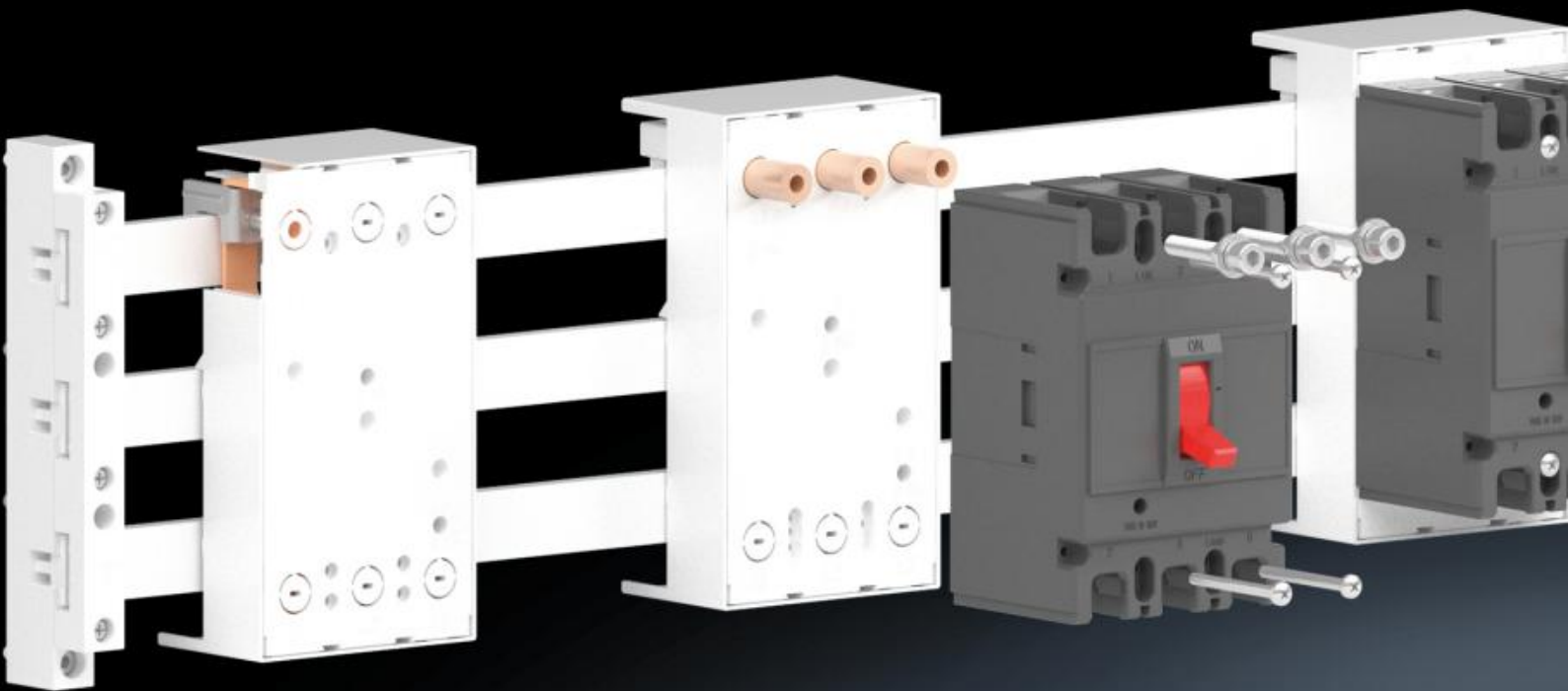


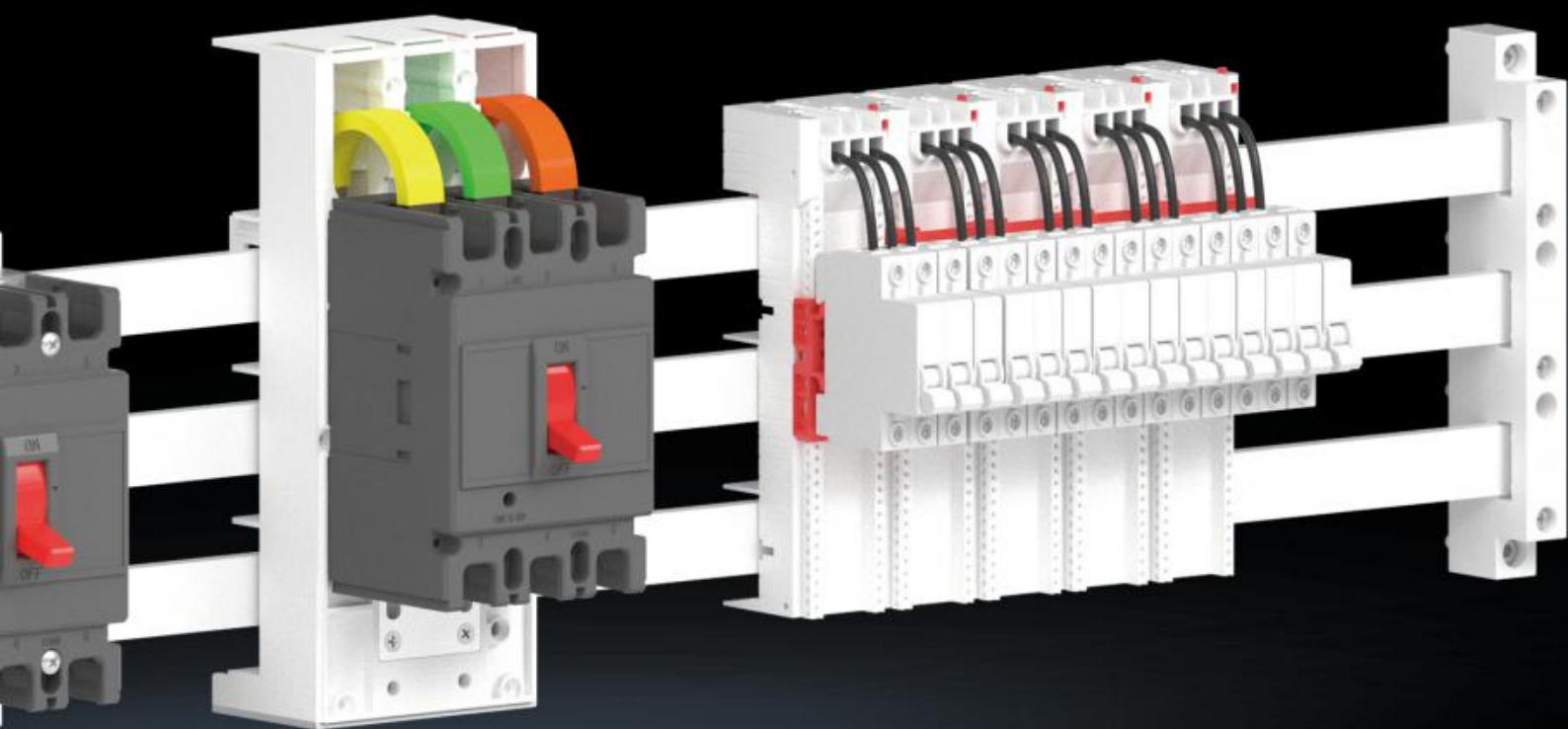
You worth a good supplier like GRL

Space-saving

Breaker could be installed directly on the copper busbar with adaptor without additional installation location

GRL adaptor can support Mini circuit breaker and molded case circuit breakers between 6A-800A,which can almost meet all mainstream circuit breaker styles under this current condition.

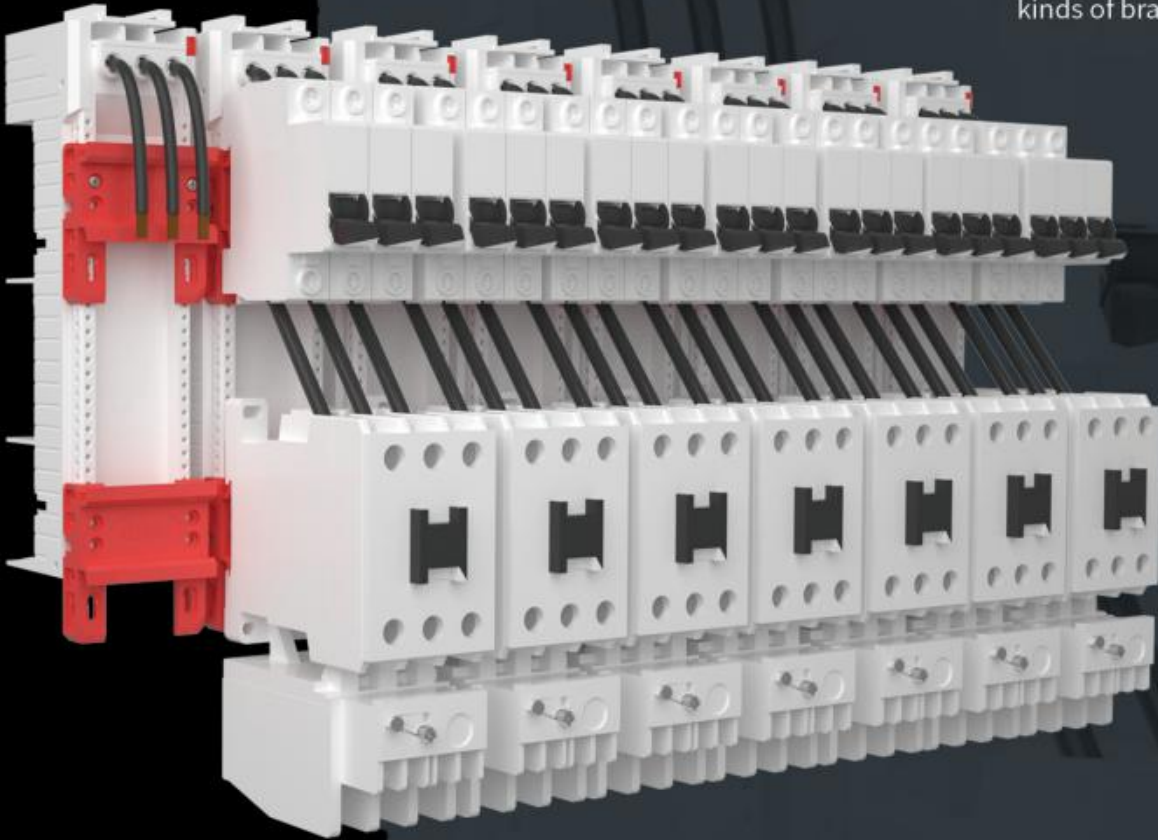




Breaker Adaptor

Details please refer to page 52

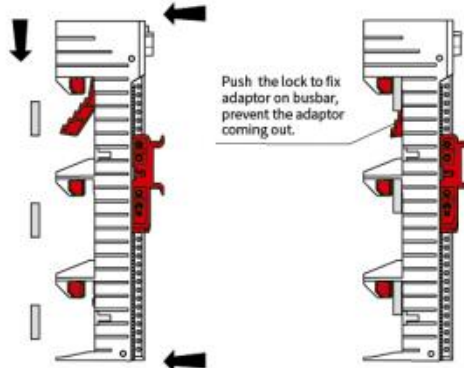
It can be applied to MCB in most kinds of brand and series.



Installation Diagram

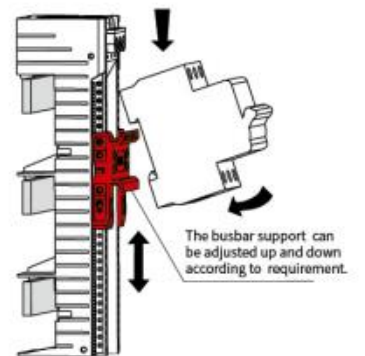
① Adapter install to the copper busbar

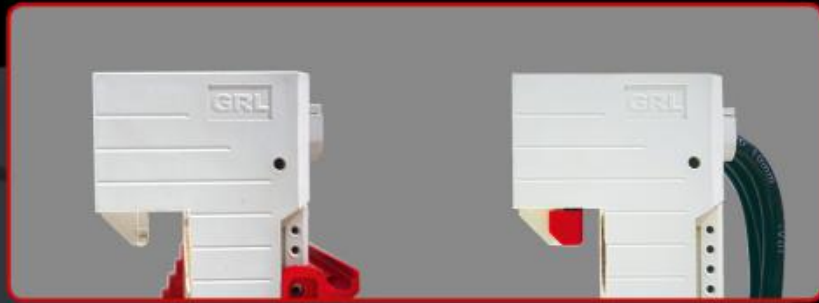
- 1.1 Horizontal push adaptor
- 1.2 Vertical pressure adaptor



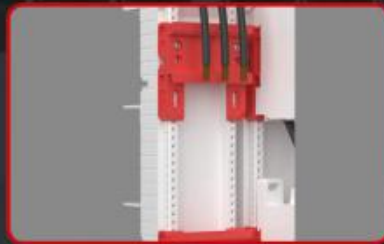
② Fix the MCB on MCB adaptor

- 2.1 Please connect the breaker and adaptor from the top rail, then press the circuit breaker to fix them.





Breaker adaptor with plastic module is suitable for 5mm flat copper. Breaker adaptor without plastic module is suitable for 10mm flat copper busbar.



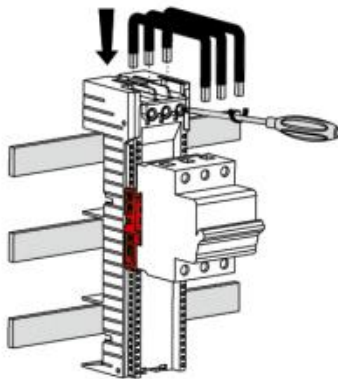
With the holes the rail position is adjustable freely.



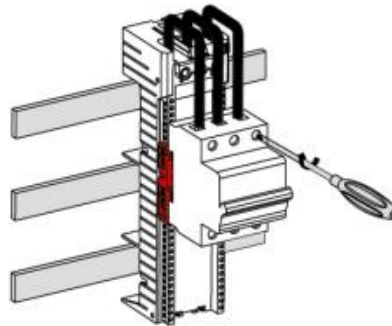
Elastic fix component can achieve self-locking when the installation in place.

- 3** This step is not needed if the breaker adaptor is already with cable
 Install cable(MCB Adaptor with cable no this step)

3.1 Put cable in the terminal, tighten with screwdriver.

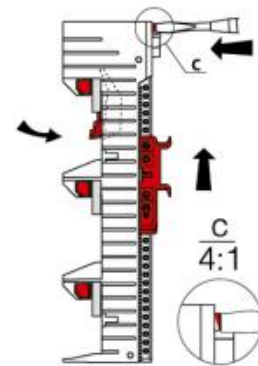


3.2 Connect cable to the MCB terminal, tighten with screwdriver.

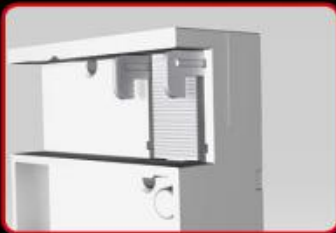
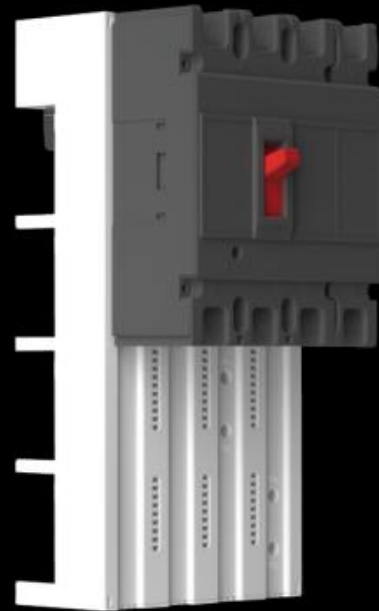


- 4** Disassemble MCB adaptor

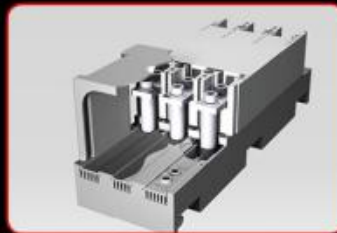
4.1 Use small size screwdriver to unlock the lock component, let it away the busbar copper, then pull the MCB adaptor upside, disassemble it.



MCCB Adaptor



No need drilling, Terminal clamp can be hang on busbar directly.



Front connect

Use copper pillar or adaptor copper to connect the breaker and adaptor.



Back connect

Use copper pillar to connect the breaker and adaptor.

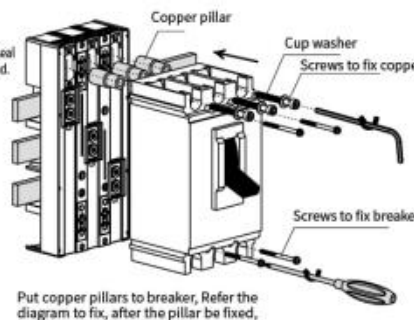
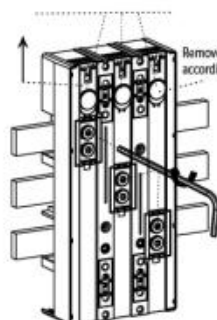
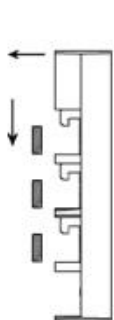
Installation Diagram

① Hang breaker adaptor on busbar.

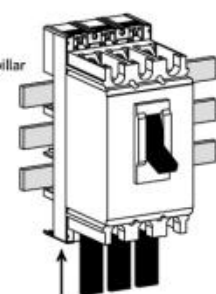
② Fix the bolts

③ Fix breaker

④ Install copper bars/wires



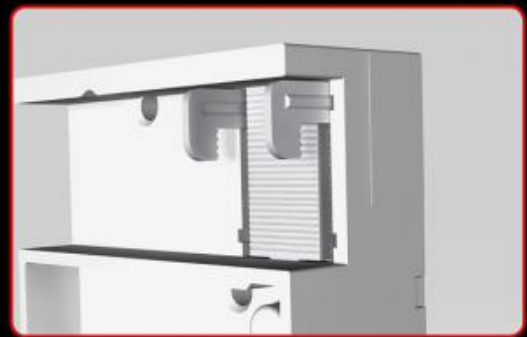
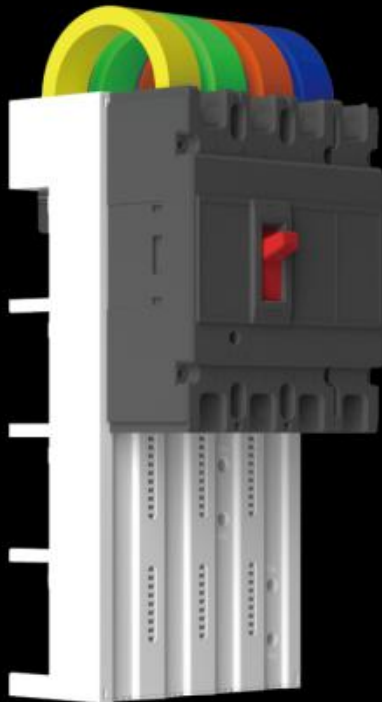
Put copper pillars to breaker, Refer the diagram to fix, after the pillar be fixed, inspect everything is ok, no any mistake.



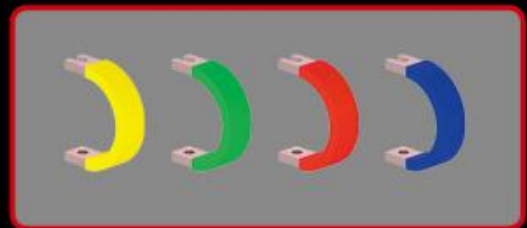
Insert the flat copper/extension flat copper on breaker (for user wiring by themselves), tighten with screws and check fasteners for reliability.

MCCB adaptor (with laminated copper connection)

Suitable for different brands' breaker.

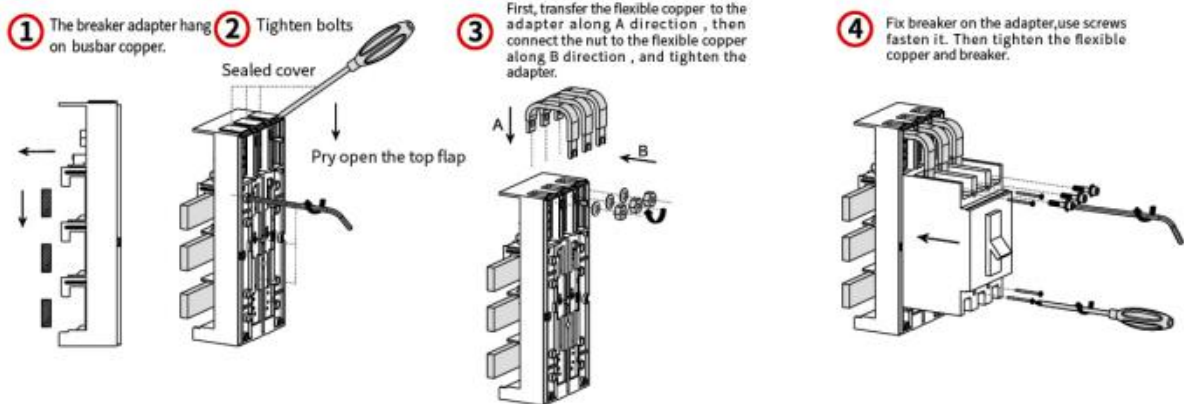


No need drilling. Terminal clamp can be hang on busbar directly



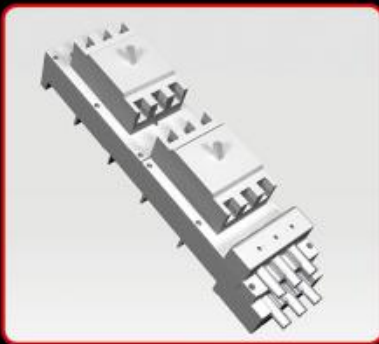
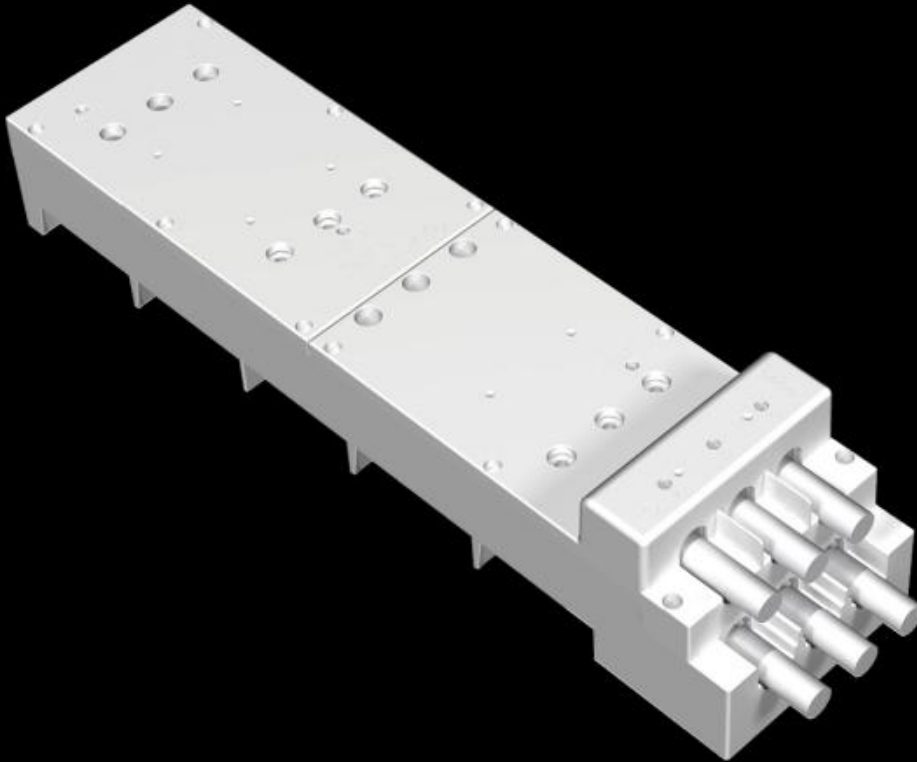
Use laminated copper connection to connect the MCCB and adaptor.

Installation Diagram



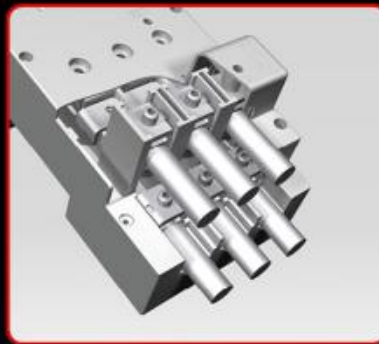
One Input and Two Output MCCB Adaptor DN55200

Details please refer to page 92



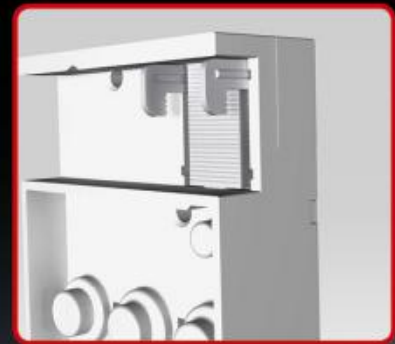
Hang Type

One input and two output breaker adaptor can save installation space.



Direct Connection

Two output contacts are in parallel, which save space and connect conveniently.



Hang Type Connection

Conveniently installation.

Breaker Adaptor 16A 3Pole

DN55320 DN55321



Item No.	DN55320	45*200 with 1 support
	DN55321	45*260 with 1 support
Model No.	ZJQ-16	
Applied to system	60mm	
Rated operational current Ie	16A	
Rated operational voltage Ue	690V	
Rated impulse withstand current Ipk	6KV	
Rated insulation voltage	1000V	
Short circuit stability	Short circuit protection of circuit breaker adaptor carrying	
Pole	3Pole with cable	
For busbar (mm)	12、15、20、25、30 x 5、10 and irregular copper busbar	
Suitable MCB	GV2 series、MS116 series、3RV series	
Frame material	Temperature resistance 125 °C, flame retardant V0.	
Reference standard	IEC 61439-1 GB/T 7251.1	
Dimension drawing please refer to page 72		

DN55345 DN55346



Item No.	DN55345	45*200 with 2 supports
	DN55346	45*260 with 2 supports
Model No.	ZJQ-16	
Applied to system	60mm	
Rated operational current Ie	16A	
Rated operational voltage Ue	690V	
Rated impulse withstand current Ipk	6KV	
Rated insulation voltage	1000V	
Short circuit stability	Short circuit protection of circuit breaker adaptor carrying	
Pole	3Pole with cable	
For busbar (mm)	12、15、20、25、30 x 5、10 and irregular copper busbar	
Suitable MCB	GV2 series+LC1 series、MS116 series+AX series、3RV series+3TF series	
Frame material	Temperature resistance 125 °C, flame retardant V0.	
Reference standard	IEC 61439-1 GB/T 7251.1	
Dimension drawing please refer to page 72		

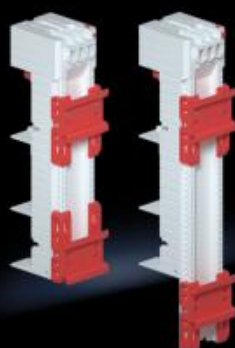
Breaker Adaptor 16A 3Pole

DN55350 DN55352



Item No.	DN55350	45*200 with 1 support
	DN55352	45*260 with 1 support
Model No.	ZJQ-16	
Applied to system	60mm	
Rated operational current Ie	16A	
Rated operational voltage Ue	690V	
Rated impulse withstand current Ipk	6KV	
Rated insulation voltage	1000V	
Short circuit stability	Short circuit protection of circuit breaker adaptor carrying	
Pole	3Pole with cable without terminal	
For busbar (mm)	12、15、20、25、30 x 5、10 and irregular copper busbar	
Suitable MCB	GV2 series、MS116 series、3RV series	
Frame material	Temperature resistance 125 ° C, flame retardant V0.	
Reference standard	IEC 61439-1 GB/T 7251.1	
Dimension drawing please refer to page 72		

DN55351 DN55353



Item No.	DN55351	45*200 with 2 supports
	DN55353	45*260 with 2 supports
Model No.	ZJQ-16	
Applied to system	60mm	
Rated operational current Ie	16A	
Rated operational voltage Ue	690V	
Rated impulse withstand current Ipk	6KV	
Rated insulation voltage	1000V	
Short circuit stability	Short circuit protection of circuit breaker adaptor carrying	
Pole	3Pole with cable without terminal	
For busbar (mm)	12、15、20、25、30 x 5、10 and irregular copper busbar	
Suitable MCB	GV2 series+LC1 series、MS116 series+AX series、3RV series+3TF series	
Frame material	Temperature resistance 125 ° C, flame retardant V0.	
Reference standard	IEC 61439-1 GB/T 7251.1	
Dimension drawing please refer to page 72		

Breaker Adaptor 25A 3Pole

DN55322 DN55347



Item No.	DN55322	45*200 with 1 support
	DN55347	45*200 with 2 supports
Model No.	ZJQ-25	
Applied to system	60mm	
Rated operational current Ie	25A	
Rated operational voltage Ue	690V	
Rated impulse withstand current Ipk	6KV	
Rated insulation voltage	1000V	
Short circuit stability	Short circuit protection of circuit breaker adaptor carrying	
Pole	3Pole with cable	
For busbar (mm)	12、15、20、25、30 x 5、10 and irregular copper busbar	
Suitable MCB	DN55322	GV2 series、MS116 series、3RV series
	DN55347	GV2 series+LC1 series、MS116 series+AX series、3RV series+3TF series
Frame material	Temperature resistance 125 ° C, flame retardant V0.	
Reference standard	IEC 61439-1 GB/T 7251.1	
Dimension drawing please refer to page 72		

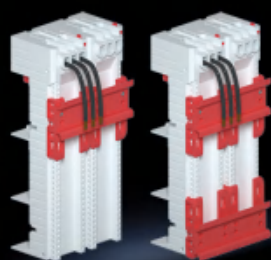
DN55323 DN55348



Item No.	DN55323	45*260 with 1 support
	DN55348	45*260 with 2 supports
Model No.	ZJQ-25	
Applied to system	60mm	
Rated operational current Ie	25A	
Rated operational voltage Ue	690V	
Rated impulse withstand current Ipk	6KV	
Rated insulation voltage	1000V	
Short circuit stability	Short circuit protection of circuit breaker adaptor carrying	
Pole	3Pole with cable	
For busbar (mm)	12、15、20、25、30 x 5、10 and irregular copper busbar	
Suitable MCB	DN55323	GV2 series、MS116 series、3RV series
	DN55348	GV2 series+LC1 series、MS116 series+AX series、3RV series+3TF series
Frame material	Temperature resistance 125 ° C, flame retardant V0.	
Reference standard	IEC 61439-1 GB/T 7251.1	
Dimension drawing please refer to page 72		

Breaker Adaptor 25A 3Pole

DN55324 DN55349



Item No.	DN55324	90°200 with 1 support
	DN55349	90°200 with 2 supports
Model No.	ZJQ-25	
Applicated to system	60mm	
Rated operational current Ie	25A	
Rated operational voltage Ue	690V	
Rated impulse withstand current Ipk	6KV	
Rated insulation voltage	1000V	
Short circuit stability	Short circuit protection of circuit breaker adaptor carrying	
Pole	3Pole with cable	
For busbar (mm)	12、15、20、25、30 x 5、10 and irregular copper busbar	
Suitable MCB	DN55324	GV2 series、LC1 series、MS116 series、AX series、3RV series、3TF series
	DN55349	GV2 series+LC1 series、MS116 series+AX series、3RV series+3TF series
Frame material	Temperature resistance 125 ° C, flame retardant V0.	
Reference standard	IEC 61439-1 GB/T 7251.1	
Dimension drawing please refer to page 72		

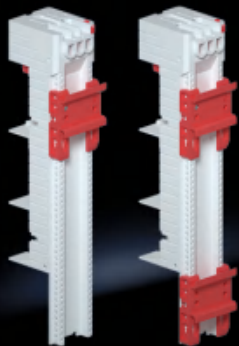
DN55354 DN55355



Item No.	DN55354	45°200 with 1 support
	DN55355	45°200 with 2 supports
Model No.	ZJQ-25	
Applicated to system	60mm	
Rated operational current Ie	25A	
Rated operational voltage Ue	690V	
Rated impulse withstand current Ipk	6KV	
Rated insulation voltage	1000V	
Short circuit stability	Short circuit protection of circuit breaker adaptor carrying	
Pole	3Pole with cable without terminal	
For busbar (mm)	12、15、20、25、30 x 5、10 and irregular copper busbar	
Suitable MCB	DN55354	GV2 series、MS116 series、3RV series
	DN55355	GV2 series+LC1 series、MS116 series+AX series、3RV series+3TF series
Frame material	Temperature resistance 125 ° C, flame retardant V0.	
Reference standard	IEC 61439-1 GB/T 7251.1	
Dimension drawing please refer to page 72		

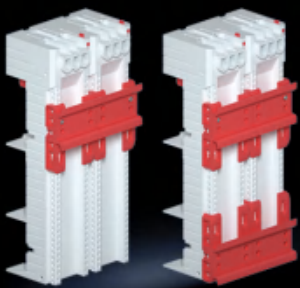
Breaker Adaptor 25A 3Pole

DN55356 DN55357



Item No.	DN55356	45*260 with 1 support
	DN55357	45*260 with 2 supports
Model No.	ZJQ-25	
Applicated to system	60mm	
Rated operational current Ie	25A	
Rated operational voltage Ue	690V	
Rated impulse withstand current Ipk	6KV	
Rated insulation voltage	1000V	
Short circuit stability	Short circuit protection of circuit breaker adaptor carrying	
Pole	3Pole with cable without terminal	
For busbar (mm)	12、15、20、25、30 x 5、10 and irregular copper busbar	
Suitable MCB	DN55356	GV2 series、MS116 series、3RV series
	DN55357	GV2 series+LC1 series、MS116 series+AX series、3RV series+3TF series
Frame material	Temperature resistance 125 ° C, flame retardant V0.	
Reference standard	IEC 61439-1 GB/T 7251.1	
Dimension drawing please refer to page 72		

DN55358 DN55359



Item No.	DN55358	90*200 with 1 support
	DN55359	90*200 with 2 supports
Model No.	ZJQ-25	
Applicated to system	60mm	
Rated operational current Ie	25A	
Rated operational voltage Ue	690V	
Rated impulse withstand current Ipk	6KV	
Rated insulation voltage	1000V	
Short circuit stability	Short circuit protection of circuit breaker adaptor carrying	
Pole	3Pole with cable without terminal	
For busbar (mm)	12、15、20、25、30 x 5、10 and irregular copper busbar	
Suitable MCB	DN55358	GV2 series、LC1 series、MS116 series、AX series、3RV series、3TF series
	DN55359	GV2 series+LC1 series、MS116 series+AX series、3RV series+3TF series
Frame material	Temperature resistance 125 ° C, flame retardant V0.	
Reference standard	IEC 61439-1 GB/T 7251.1	
Dimension drawing please refer to page 72		

Breaker Adaptor 32A 3Pole

DN55304 DN55329



Item No.	DN55304	45*200 with 1 support
	DN55329	45*200 with 2 supports
Model No.	ZJQ-32	
Applicated to system	60mm	
Rated operational current Ie	32A	
Rated operational voltage Ue	690V	
Rated impulse withstand current Ipk	6KV	
Rated insulation voltage	1000V	
Short circuit stability Pole	Short circuit protection of circuit breaker adaptor carrying 3Pole with cable without terminal	
For busbar (mm)	12、15、20、25、30 x 5、10 and irregular copper busbar	
Suitable MCB	DN55304	GV2 series、MS116 series、3RV series
	DN55329	GV2 series+LC1 series、MS116 series+AX series、3RV series+3TF series
Frame material	Temperature resistance 125 ° C, flame retardant V0.	
Reference standard	IEC 61439-1 GB/T 7251.1	
Dimension drawing please refer to page 72		

DN55305 DN55330



Item No.	DN55305	45*260 with 1 support
	DN55330	45*260 with 2 supports
Model No.	ZJQ-32	
Applicated to system	60mm	
Rated operational current Ie	32A	
Rated operational voltage Ue	690V	
Rated impulse withstand current Ipk	6KV	
Rated insulation voltage	1000V	
Short circuit stability Pole	Short circuit protection of circuit breaker adaptor carrying 3Pole with cable without terminal	
For busbar (mm)	12、15、20、25、30 x 5、10 and irregular copper busbar	
Suitable MCB	DN55305	GV2 series、MS116 series、3RV series
	DN55330	GV2 series+LC1 series、MS116 series+AX series、3RV series+3TF series
Frame material	Temperature resistance 125 ° C, flame retardant V0.	
Reference standard	IEC 61439-1 GB/T 7251.1	
Dimension drawing please refer to page 72		

Breaker Adaptor 32A 3Pole

DN55306 DN55331



Item No.	DN55306	45*200 with 1 support
	DN55331	45*200 with 2 supports
Model No.	ZJQ-32	
Applicated to system	60mm	
Rated operational current Ie	32A	
Rated operational voltage Ue	690V	
Rated impulse withstand current Ipk	6KV	
Rated insulation voltage	1000V	
Short circuit stability	Short circuit protection of circuit breaker adaptor carrying	
Pole	3Pole with cable	
For busbar (mm)	12、15、20、25、30 x 5、10 and irregular copper busbar	
Suitable MCB	DN55306	GV2 series、MS116 series、3RV series
	DN55331	GV2 series+LC1 series、MS116 series+AX series、3RV series+3TF series
Frame material	Temperature resistance 125 ° C, flame retardant V0.	
Reference standard	IEC 61439-1 GB/T 7251.1	
Dimension drawing please refer to page 72		

DN55307 DN55332



Item No.	DN55307	45*260 with 1 support
	DN55332	45*260 with 2 supports
Model No.	ZJQ-32	
Applicated to system	60mm	
Rated operational current Ie	32A	
Rated operational voltage Ue	690V	
Rated impulse withstand current Ipk	6KV	
Rated insulation voltage	1000V	
Short circuit stability	Short circuit protection of circuit breaker adaptor carrying	
Pole	3Pole with cable	
For busbar (mm)	12、15、20、25、30 x 5、10 and irregular copper busbar	
Suitable MCB	DN55307	GV2 series、MS116 series、3RV series
	DN55332	GV2 series+LC1 series、MS116 series+AX series、3RV series+3TF series
Frame material	Temperature resistance 125 ° C, flame retardant V0.	
Reference standard	IEC 61439-1 GB/T 7251.1	
Dimension drawing please refer to page 72		

Breaker Adaptor 32A 3Pole

DN55360 DN55361



Item No.	DN55360	54*200 with 1 support
	DN55361	54*200 with 2 supports
Model No.	ZJQ-32	
Applicated to system	60mm	
Rated operational current Ie	32A	
Rated operational voltage Ue	690V	
Rated impulse withstand current Ipk	6KV	
Rated insulation voltage	1000V	
Short circuit stability	Short circuit protection of circuit breaker adaptor carrying	
Pole	3Pole with cable without terminal	
For busbar (mm)	12、 15、 20、 25、 30 x 5、 10 and irregular copper busbar	
Suitable MCB	DN55360	iC65 series、 SH203 series、 5SN6 series、 DZ47 series、 M-L7 series
	DN55361	iC65 series+LC1 series+LRD series、 SH203 series+AX series+TA series、 5SN6 series+3TF series+3US series、 DZ47 series、 M-L7 series+accessories
Frame material	Temperature resistance 125 ° C, flame retardant V0.	
Reference standard	IEC 61439-1 GB/T 7251.1	
Dimension drawing please refer to page 72		

DN55362 DN55363



Item No.	DN55362	54*260 with 1 support
	DN55363	54*260 with 2 supports
Model No.	ZJQ-32	
Applicated to system	60mm	
Rated operational current Ie	32A	
Rated operational voltage Ue	690V	
Rated impulse withstand current Ipk	6KV	
Rated insulation voltage	1000V	
Short circuit stability	Short circuit protection of circuit breaker adaptor carrying	
Pole	3Pole with cable without terminal	
For busbar (mm)	12、 15、 20、 25、 30 x 5、 10 and irregular copper busbar	
Suitable MCB	DN55362	iC65 series、 SH203 series、 5SN6 series、 DZ47 series、 M-L7 series
	DN55363	iC65 series+LC1 series+LRD series、 SH203 series+AX series+TA series、 5SN6 series+3TF series+3US series、 DZ47 series、 M-L7 series+accessories
Frame material	Temperature resistance 125 ° C, flame retardant V0.	
Reference standard	IEC 61439-1 GB/T 7251.1	
Dimension drawing please refer to page 72		

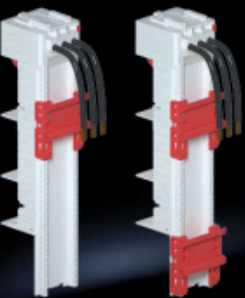
Breaker Adaptor 32A 3Pole

DN55364 DN55365



Item No.	DN55364	54*200 with 1 support
	DN55365	54*200 with 2 supports
Model No.	ZJQ-32	
Applicated to system	60mm	
Rated operational current Ie	32A	
Rated operational voltage Ue	690V	
Rated impulse withstand current Ipk	6KV	
Rated insulation voltage	1000V	
Short circuit stability	Short circuit protection of circuit breaker adaptor carrying	
Pole	3Pole with cable	
For busbar (mm)	12、15、20、25、30 x 5、10 and irregular copper busbar	
Suitable MCB	DN55364	iC65 series、SH203 series、5SN6 series、DZ47 series、M-L7 series
	DN55365	iC65 series+LC1 series+LRD series、SH203 series+AX series+TA series、5SN6 series+3TF series+3US series、DZ47 series、M-L7 series+accessories
Frame material	Temperature resistance 125 ° C, flame retardant V0.	
Reference standard	IEC 61439-1 GB/T 7251.1	
Dimension drawing please refer to page 72		

DN55366 DN55367



Item No.	DN55366	54*260 with 1 support
	DN55367	54*260 with 2 supports
Model No.	ZJQ-32	
Applicated to system	60mm	
Rated operational current Ie	32A	
Rated operational voltage Ue	690V	
Rated impulse withstand current Ipk	6KV	
Rated insulation voltage	1000V	
Short circuit stability	Short circuit protection of circuit breaker adaptor carrying	
Pole	3Pole with cable	
For busbar (mm)	12、15、20、25、30 x 5、10 and irregular copper busbar	
Suitable MCB	DN55366	iC65 series、SH203 series、5SN6 series、DZ47 series、M-L7 series
	DN55367	iC65 series+LC1 series+LRD series、SH203 series+AX series+TA series、5SN6 series+3TF series+3US series、DZ47 series +accessories、M-L7 series+accessories
Frame material	Temperature resistance 125 ° C, flame retardant V0.	
Reference standard	IEC 61439-1 GB/T 7251.1	
Dimension drawing please refer to page 72		

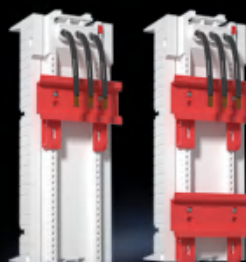
Breaker Adaptor 32A 3Pole

DN55368 DN55369



Item No.	DN55368	63*200 with 1 support
	DN55369	63*200 with 2 supports
Model No.	ZJQ-32	
Applied to system	60mm	
Rated operational current Ie	32A	
Rated operational voltage Ue	690V	
Rated impulse withstand current Ipk	6KV	
Rated insulation voltage	1000V	
Short circuit stability	Short circuit protection of circuit breaker adaptor carrying	
Pole	3Pole with cable	
For busbar (mm)	12、15、20、25、30 x 5、10 and irregular copper busbar	
Suitable MCB	DN55368	iC65 series+accessories、GV2 series+accessories、SH203 series+accessories、MS116 series+accessories、5SN6 series+accessories、3RV series+accessories、DZ47 series+accessories、M-L8 series+accessories
	DN55369	iC65 series+accessories+LC1 series+LRD series、GV2 series+accessories+LC1 series、SH203 series+accessories+AX series+TA series、MS116 series+accessories+AX series+TA series、5SN6 series+accessories+3TF series+3US series、3RV series+accessories+3TF series+3US series、DZ47 series+accessories、M-L9 series+accessories
Frame material	Temperature resistance 125 ° C, flame retardant V0.	
Reference standard	IEC 61439-1 GB/T 7251.1	
Dimension drawing please refer to page 72		

DN55370 DN55371



Item No.	DN55370	72*200 with 1 support
	DN55371	72*200 with 2 supports
Model No.	ZJQ-32	
Applied to system	60mm	
Rated operational current Ie	32A	
Rated operational voltage Ue	690V	
Rated impulse withstand current Ipk	6KV	
Rated insulation voltage	1000V	
Short circuit stability	Short circuit protection of circuit breaker adaptor carrying	
Pole	3Pole with cable	
For busbar (mm)	12、15、20、25、30 x 5、10 and irregular copper busbar	
Suitable MCB	DN55370	iC65 series+accessories、GV2 series+accessories、SH203 series+accessories、MS116 series+accessories、5SN6 series+accessories、3RV series+accessories、DZ47 series+accessories、M-L10 series+accessories
	DN55371	iC65 series+accessories+LC1 series+LRD series、GV2 series+accessories+LC1 series、SH203 series+accessories+AX series+TA series、MS116 series+accessories+AX series+TA series、5SN6 series+accessories+3TF series+3US series、3RV series+accessories+3TF series+3US series、DZ47 series+accessories、M-L11 series+accessories
Frame material	Temperature resistance 125 ° C, flame retardant V0.	
Reference standard	IEC 61439-1 GB/T 7251.1	
Dimension drawing please refer to page 72		

Breaker Adaptor 32A 3Pole

DN55372 DN55373



Item No.	DN55372	81*200 with 1 support
	DN55373	81*200 with 2 supports
Model No.	ZJQ-32	
Applied to system	60mm	
Rated operational current Ie	32A	
Rated operational voltage Ue	690V	
Rated impulse withstand current Ipk	6KV	
Rated insulation voltage	1000V	
Short circuit stability	Short circuit protection of circuit breaker adaptor carrying	
Pole	3Pole with cable	
For busbar (mm)	12、 15、 20、 25、 30 x 5、 10 and irregular copper busbar	
Suitable MCB	DN55372	iC65 series+accessories、 GV2 series+accessories、 SH203 series+accessories、 MS116 series+accessories、 5SN6 series+accessories、 3RV series+accessories、 DZ47 series+accessories、 M-L12 series+accessories
	DN55373	iC65 series+accessories+LC1 series+LRD series、 GV2 series+accessories+LC1 series、 SH203 series+accessories+AX series+TA series、 MS116 series+accessories+AX series+TA series、 5SN6 series+accessories+3TF series+3US series、 3RV series+accessories+3TF series+3US series、 DZ47 series+accessories、 M-L13 series+accessories
Frame material	Temperature resistance 125 ° C, flame retardant V0.	
Reference standard	IEC 61439-1 GB/T 7251.1	
Dimension drawing please refer to page 72		

DN55374 DN55375



Item No.	DN55374	63*260 with 1 support
	DN55375	63*260 with 2 supports
Model No.	ZJQ-32	
Applied to system	60mm	
Rated operational current Ie	32A	
Rated operational voltage Ue	690V	
Rated impulse withstand current Ipk	6KV	
Rated insulation voltage	1000V	
Short circuit stability	Short circuit protection of circuit breaker adaptor carrying	
Pole	3Pole with cable	
For busbar (mm)	12、 15、 20、 25、 30 x 5、 10 and irregular copper busbar	
Suitable MCB	DN55374	iC65 series+accessories、 GV2 series+accessories、 SH203 series+accessories、 MS116 series+accessories、 5SN6 series+accessories、 3RV series+accessories、 DZ47 series+accessories、 M-L14 series+accessories
	DN55375	iC65 series+accessories+LC1 series+LRD series、 GV2 series+accessories+LC1 series、 SH203 series+accessories+AX series+TA series、 MS116 series+accessories+AX series+TA series、 5SN6 series+accessories+3TF series+3US series、 3RV series+accessories+3TF series+3US series、 DZ47 series+accessories、 M-L15 series+accessories
Frame material	Temperature resistance 125 ° C, flame retardant V0.	
Reference standard	IEC 61439-1 GB/T 7251.1	
Dimension drawing please refer to page 72		

Breaker Adaptor 32A 3Pole

DN55376 DN55377



Item No.	DN55376	72*260 with 1 support
	DN55377	72*260 with 2 supports
Model No.	ZJQ-32	
Applied to system	60mm	
Rated operational current Ie	32A	
Rated operational voltage Ue	690V	
Rated impulse withstand current Ipk	6KV	
Rated insulation voltage	1000V	
Short circuit stability	Short circuit protection of circuit breaker adaptor carrying	
Pole	3Pole with cable	
For busbar (mm)	12、15、20、25、30 x 5、10 and irregular copper busbar	
Suitable MCB	DN55376	iC65 series+accessories、GV2 series+accessories、SH203 series+accessories、MS116 series+accessories、5SN6 series+accessories、3RV series+accessories、DZ47 series+accessories、M-L16 series+accessories
	DN55377	iC65 series+accessories+LC1 series+LRD series、GV2 series+accessories+LC1 series、SH203 series+accessories+AX series+TA series、MS116 series+accessories+AX series+TA series、5SN6 series+accessories+3TF series+3US series、3RV series+accessories+3TF series+3US series、DZ47 series+accessories、M-L17 series+accessories
Frame material	Temperature resistance 125 ° C, flame retardant V0.	
Reference standard	IEC 61439-1 GB/T 7251.1	
Dimension drawing please refer to page 72		

DN55378 DN55379



Item No.	DN55378	81*260 with 1 support
	DN55379	81*260 with 2 supports
Model No.	ZJQ-32	
Applied to system	60mm	
Rated operational current Ie	32A	
Rated operational voltage Ue	690V	
Rated impulse withstand current Ipk	6KV	
Rated insulation voltage	1000V	
Short circuit stability	Short circuit protection of circuit breaker adaptor carrying	
Pole	3Pole with cable	
For busbar (mm)	12、15、20、25、30 x 5、10 and irregular copper busbar	
Suitable MCB	DN55378	iC65 series+accessories、GV2 series+accessories、SH203 series+accessories、MS116 series+accessories、5SN6 series+accessories、3RV series+accessories、DZ47 series+accessories、M-L18 series+accessories
	DN55379	iC65 series+accessories+LC1 series+LRD series、GV2 series+accessories+LC1 series、SH203 series+accessories+AX series+TA series、MS116 series+accessories+AX series+TA series、5SN6 series+accessories+3TF series+3US series、3RV series+accessories+3TF series+3US series、DZ47 series+accessories、M-L7 series+accessories
Frame material	Temperature resistance 125 ° C, flame retardant V0.	
Reference standard	IEC 61439-1 GB/T 7251.1	
Dimension drawing please refer to page 72		

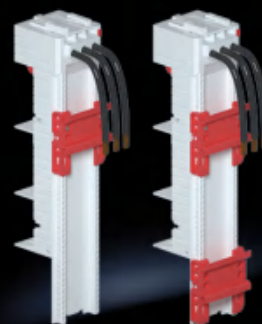
Breaker Adaptor 63A 3Pole

DN55302 DN55327



Item No.	DN55302	54*200 with 1 support
	DN55327	54*200 with 2 supports
Model No.	ZJQ-63	
Applied to system	60mm	
Rated operational current Ie	63A	
Rated operational voltage Ue	690V	
Rated impulse withstand current Ipk	6KV	
Rated insulation voltage	1000V	
Short circuit stability	Short circuit protection of circuit breaker adaptor carrying	
Pole	3Pole with cable	
For busbar (mm)	12、 15、 20、 25、 30 x 5、 10 and irregular copper busbar	
Suitable MCB	DN55302	GV3 series、 IC65 series、 S203 series+accessories、 MS165 series、 5SY65 series、 3RV series、 DZ47 series、 M-L7 series
	DN55327	GV3 series+ LC1 series、 IC65 series+ LC1 series、 S203 series+accessories+AX series、 MS165 series+AX series、 5SY65 series+3TF series、 3RV series+3TF series、 DZ47 series +accessories、 M-L7 series+accessories
Frame material	Temperature resistance 125 ° C, flame retardant V0.	
Reference standard	IEC 61439-1 GB/T 7251.1	
Dimension drawing please refer to page 72		

DN55303 DN55328



Item No.	DN55303	54*260 with 1 support
	DN55328	54*260 with 2 supports
Model No.	ZJQ-63	
Applied to system	60mm	
Rated operational current Ie	63A	
Rated operational voltage Ue	690V	
Rated impulse withstand current Ipk	6KV	
Rated insulation voltage	1000V	
Short circuit stability	Short circuit protection of circuit breaker adaptor carrying	
Pole	3Pole with cable	
For busbar (mm)	12、 15、 20、 25、 30 x 5、 10 and irregular copper busbar	
Suitable MCB	DN55303	GV3 series、 IC65 series、 S203 series+accessories、 MS165 series、 5SY65 series、 3RV series、 DZ47 series +accessories、 M-L8 series+accessories
	DN55328	GV3 series+ LC1 series、 IC65 series+ LC1 series、 S203 series+accessories+AX series、 MS165 series+AX series、 5SY65 series+3TF series、 3RV series+3TF series +accessories、 M-L9 series+accessories
Frame material	Temperature resistance 125 ° C, flame retardant V0.	
Reference standard	IEC 61439-1 GB/T 7251.1	
Dimension drawing please refer to page 72		

Breaker Adaptor 63A 3Pole

DN55314 DN55339



Item No.	DN55314	63*200 with 1 support
	DN55339	63*200 with 2 supports
Model No.	ZJQ-63	
Applied to system	60mm	
Rated operational current Ie	63A	
Rated operational voltage Ue	690V	
Rated impulse withstand current Ipk	6KV	
Rated insulation voltage	1000V	
Short circuit stability	Short circuit protection of circuit breaker adaptor carrying	
Pole	3Pole with cable	
For busbar (mm)	12、15、20、25、30 x 5、10 and irregular copper busbar	
Suitable MCB	DN55314	GV3 series、IC65 series+accessories、S203 series+accessories、MS165 series、5SY65 series+accessories、3RV series、DZ47 series+accessories、M-L10 series+accessories
	DN55339	GV3 series+LC1 series、IC65 series+accessories+LC1 series、S203 series+accessories+AX series、MS165 series+AX series、5SY65 series+accessories+3TF series、3RV series+3TF series、DZ47 series+accessories、M-L11 series+accessories
Frame material	Temperature resistance 125 ° C, flame retardant V0.	
Reference standard	IEC 61439-1 GB/T 7251.1	
Dimension drawing please refer to page 72		

DN55315 DN55340



Item No.	DN55315	72*200 with 1 support
	DN55340	72*200 with 2 supports
Model No.	ZJQ-63	
Applied to system	60mm	
Rated operational current Ie	63A	
Rated operational voltage Ue	690V	
Rated impulse withstand current Ipk	6KV	
Rated insulation voltage	1000V	
Short circuit stability	Short circuit protection of circuit breaker adaptor carrying	
Pole	3Pole with cable	
For busbar (mm)	12、15、20、25、30 x 5、10 and irregular copper busbar	
Suitable MCB	DN55315	GV3 series、IC65 series+accessories、S203 series+accessories、MS165 series、5SY65 series+accessories、3RV series、DZ47 series+accessories、M-L12 series+accessories
	DN55340	GV3 series+LC1 series、IC65 series+accessories+LC1 series、S203 series+accessories+AX series、MS165 series+AX series、5SY65 series+accessories+3TF series、3RV series+3TF series、DZ47 series+accessories、M-L13 series+accessories
Frame material	Temperature resistance 125 ° C, flame retardant V0.	
Reference standard	IEC 61439-1 GB/T 7251.1	
Dimension drawing please refer to page 72		

Breaker Adaptor 63A 3Pole

DN55316 DN55341



Item No.	DN55316	81*200 with 1 support
	DN55341	81*200 with 2 supports
Model No.	ZJQ-63	
Applied to system	60mm	
Rated operational current Ie	63A	
Rated operational voltage Ue	690V	
Rated impulse withstand current Ipk	6KV	
Rated insulation voltage	1000V	
Short circuit stability	Short circuit protection of circuit breaker adaptor carrying	
Pole	3Pole with cable	
For busbar (mm)	12、15、20、25、30 x 5、10 and irregular copper busbar	
Suitable MCB	DN55316	GV3 series、IC65 series+accessories、S203 series+accessories、MS165 series、5SY65 series+accessories、3RV series、DZ47 series +accessories、M-L14 series+accessories
	DN55341	GV3 series+LC1 series、IC65 series+accessories+LC1 series、S203 series+accessories+AX series、MS165 series+AX series、5SY65 series+accessories+3TF series、3RV series+3TF series、DZ47 series +accessories、M-L15 series+accessories
Frame material	Temperature resistance 125 ° C, flame retardant V0.	
Reference standard	IEC 61439-1 GB/T 7251.1	
Dimension drawing please refer to page 72		

DN55317 DN55342



Item No.	DN55317	63*260 with 1 support
	DN55342	63*260 with 2 supports
Model No.	ZJQ-63	
Applied to system	60mm	
Rated operational current Ie	63A	
Rated operational voltage Ue	690V	
Rated impulse withstand current Ipk	6KV	
Rated insulation voltage	1000V	
Short circuit stability	Short circuit protection of circuit breaker adaptor carrying	
Pole	3Pole with cable	
For busbar (mm)	12、15、20、25、30 x 5、10 and irregular copper busbar	
Suitable MCB	DN55317	GV3 series、IC65 series+accessories、S203 series+accessories、MS165 series、5SY65 series+accessories、3RV series、DZ47 series +accessories、M-L16 series+accessories
	DN55342	GV3 series+ LC1 series、IC65 series+accessories+ LC1 series、S203 series+accessories+AX series、MS165 series+AX series、5SY65 series+accessories+3TF series、3RV series+3TF series、DZ47 series +accessories、M-L17 series+accessories
Frame material	Temperature resistance 125 ° C, flame retardant V0.	
Reference standard	IEC 61439-1 GB/T 7251.1	
Dimension drawing please refer to page 72		

Breaker Adaptor 63A 3Pole

DN55318 DN55343



Item No.	DN55318	72*260 with 1 support
	DN55343	72*260 with 2 supports
Model No.	ZJQ-63	
Applied to system	60mm	
Rated operational current Ie	63A	
Rated operational voltage Ue	690V	
Rated impulse withstand current Ipk	6KV	
Rated insulation voltage	1000V	
Short circuit stability	Short circuit protection of circuit breaker adaptor carrying	
Pole	3Pole with cable	
For busbar (mm)	12、15、20、25、30 x 5、10 and irregular copper busbar	
Suitable MCB	DN55318	GV3 series、IC65 series+accessories、S203 series+accessories、MS165 series、5SY65 series+accessories、3RV series、DZ47 series+accessories、M-L18 series+accessories
	DN55343	GV3 series+LC1 series、IC65 series+accessories+LC1 series、S203 series+accessories+AX series、MS165 series+AX series、5SY65 series+accessories+3TF series、3RV series+3TF series、DZ47 series+accessories、M-L19 series+accessories
Frame material	Temperature resistance 125 ° C, flame retardant V0.	
Reference standard	IEC 61439-1 GB/T 7251.1	
Dimension drawing please refer to page 72		

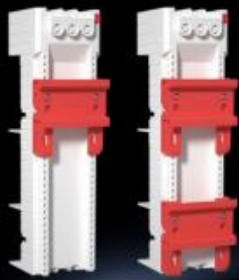
DN55319 DN55344



Item No.	DN55319	81*260 with 1 support
	DN55344	81*260 with 2 supports
Model No.	ZJQ-63	
Applied to system	60mm	
Rated operational current Ie	63A	
Rated operational voltage Ue	690V	
Rated impulse withstand current Ipk	6KV	
Rated insulation voltage	1000V	
Short circuit stability	Short circuit protection of circuit breaker adaptor carrying	
Pole	3Pole with cable	
For busbar (mm)	12、15、20、25、30 x 5、10 and irregular copper busbar	
Suitable MCB	DN55319	GV3 series、IC65 series+accessories、S203 series+accessories、MS165 series、5SY65 series+accessories、3RV series、DZ47 series+accessories、M-L20 series+accessories
	DN55344	GV3 series+LC1 series、IC65 series+accessories+LC1 series、S203 series+accessories+AX series、MS165 series+AX series、5SY65 series+accessories+3TF series、3RV series+3TF series、DZ47 series+accessories、M-L21 series+accessories
Frame material	Temperature resistance 125 ° C, flame retardant V0.	
Reference standard	IEC 61439-1 GB/T 7251.1	
Dimension drawing please refer to page 72		

Breaker Adaptor 80A 3Pole

DN55300 DN55325



Item No.	DN55300	54*200 with 1 support
	DN55325	54*200 with 2 supports
Model No.	ZJQ-80	
Applicated to system	60mm	
Rated operational current Ie	80A	
Rated operational voltage Ue	690V	
Rated impulse withstand current Ipk	6KV	
Rated insulation voltage	1000V	
Short circuit stability	Short circuit protection of circuit breaker adaptor carrying	
Pole	3Pole with terminal without cable	
For busbar (mm)	12、15、20、25、30 x 5、10 and irregular copper busbar	
Suitable MCB	DN55300	S203 series+accessories、MS165 series
	DN55325	S203 series+AX series、MS165+AX series
Frame material	Temperature resistance 125 ° C, flame retardant V0.	
Reference standard	IEC 61439-1 GB/T 7251.1	
Dimension drawing please refer to page 72		

DN55301 DN55326



Item No.	DN55301	54*260 with 1 support
	DN55326	54*260 with 2 supports
Model No.	ZJQ-80	
Applicated to system	60mm	
Rated operational current Ie	80A	
Rated operational voltage Ue	690V	
Rated impulse withstand current Ipk	6KV	
Rated insulation voltage	1000V	
Short circuit stability	Short circuit protection of circuit breaker adaptor carrying	
Pole	3Pole with terminal without cable	
For busbar (mm)	12、15、20、25、30 x 5、10 and irregular copper busbar	
Suitable MCB	DN55301	S203 series、MS165 series
	DN55326	S203 series+AX series、MS165 series+AX series
Frame material	Temperature resistance 125 ° C, flame retardant V0.	
Reference standard	IEC 61439-1 GB/T 7251.1	
Dimension drawing please refer to page 72		

Breaker Adaptor 80A 3Pole

DN55308 DN55333



Item No.	DN55308	63*200 with 1 support
	DN55333	63*200 with 2 supports
Model No.	ZJQ-80	
Applied to system	60mm	
Rated operational current Ie	80A	
Rated operational voltage Ue	690V	
Rated impulse withstand current Ipk	6KV	
Rated insulation voltage	1000V	
Short circuit stability	Short circuit protection of circuit breaker adaptor carrying	
Pole	3Pole with terminal without cable	
For busbar (mm)	12、 15、 20、 25、 30 x 5、 10 and irregular copper busbar	
Suitable MCB	DN55308	iC65 series+accessories、 GV3 series、 MS165 series+accessories、 5SY65 series+accessories、 3RV series、 DZ47 series +accessories、 M-L7 series+accessories
	DN55333	iC65 series+ LC1 series、 GV3 series+ LC1 series、 MS165 series+accessories+AX series、 5SY65 series+accessories+3TF series、 3RV series+3TF series、 DZ47 series +accessories、 M-L7 series+accessories
Frame material	Temperature resistance 125 ° C, flame retardant V0.	
Reference standard	IEC 61439-1 GB/T 7251.1	
Dimension drawing please refer to page 72		

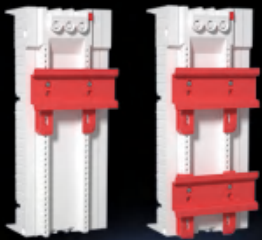
DN55309 DN55334



Item No.	DN55309	72*200 with 1 support
	DN55334	72*200 with 2 supports
Model No.	ZJQ-80	
Applied to system	60mm	
Rated operational current Ie	80A	
Rated operational voltage Ue	690V	
Rated impulse withstand current Ipk	6KV	
Rated insulation voltage	1000V	
Short circuit stability	Short circuit protection of circuit breaker adaptor carrying	
Pole	3Pole with terminal without cable	
For busbar (mm)	12、 15、 20、 25、 30 x 5、 10 and irregular copper busbar	
Suitable MCB	DN55309	iC65 series+accessories、 GV3 series、 MS165 series+accessories、 5SY65 series+accessories、 3RV series、 DZ47 series +accessories、 M-L7 series+accessories
	DN55334	iC65 series+ LC1 series、 GV3 series+ LC1 series、 MS165 series+accessories+AX series、 5SY65 series+accessories+3TF series、 3RV series+3TF series、 DZ47 series +accessories、 M-L7 series+accessories
Frame material	Temperature resistance 125 ° C, flame retardant V0.	
Reference standard	IEC 61439-1 GB/T 7251.1	
Dimension drawing please refer to page 72		

Breaker Adaptor 80A 3Pole

DN55310 DN55335



Item No.	DN55310	81*200 with 1 support
	DN55335	81*200 with 2 supports
Model No.	ZJQ-80	
Applied to system	60mm	
Rated operational current Ie	80A	
Rated operational voltage Ue	690V	
Rated impulse withstand current Ipk	6KV	
Rated insulation voltage	1000V	
Short circuit stability	Short circuit protection of circuit breaker adaptor carrying	
Pole	3Pole with terminal without cable	
For busbar (mm)	12、15、20、25、30 x 5、10 and irregular copper busbar	
Suitable MCB	DN55310	NG125 series、GV4 series、MS165 series+accessories、5SP4 series、3RV series
	DN55335	NG125 series+LC1 series、GV4 series+LC1 series、MS165 series+accessories+AX series、5SP4 series+3TF series、3RV series+3TF series
Frame material	Temperature resistance 125 ° C, flame retardant V0.	
Reference standard	IEC 61439-1 GB/T 7251.1	
Dimension drawing please refer to page 72		

DN55311 DN55336



Item No.	DN55311	63*260 with 1 support
	DN55336	63*260 with 2 supports
Model No.	ZJQ-80	
Applied to system	60mm	
Rated operational current Ie	80A	
Rated operational voltage Ue	690V	
Rated impulse withstand current Ipk	6KV	
Rated insulation voltage	1000V	
Short circuit stability	Short circuit protection of circuit breaker adaptor carrying	
Pole	3Pole with terminal without cable	
For busbar (mm)	12、15、20、25、30 x 5、10 and irregular copper busbar	
Suitable MCB	DN55311	iC65 series+accessories、GV3 series、MS165 series+accessories、5SY65 series+accessories、3RV series、DZ47 series+accessories、M-L7 series+accessories
	DN55336	iC65 series+accessories+LC1 series、GV3 series+LC1 series、MS165 series+accessories+AX series、5SY65 series+accessories+3TF series、3RV series+3TF series、DZ47 series+accessories、M-L7 series+accessories
Frame material	Temperature resistance 125 ° C, flame retardant V0.	
Reference standard	IEC 61439-1 GB/T 7251.1	
Dimension drawing please refer to page 72		

Breaker Adaptor 80A 3Pole

DN55312 DN55337



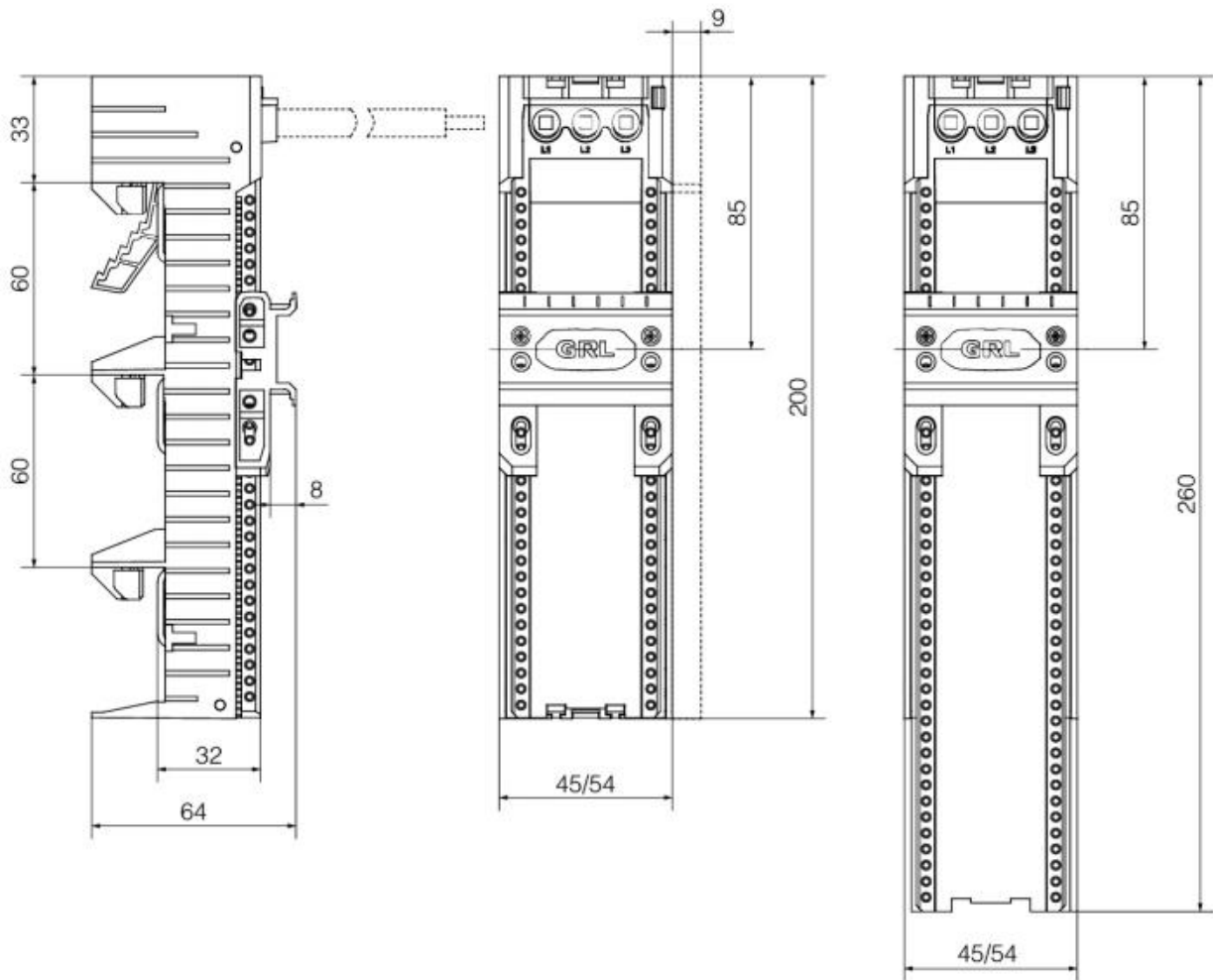
Item No.	DN55312	72*260 with 1 support
	DN55337	72*260 with 2 supports
Model No.	ZJQ-80	
Applied to system	60mm	
Rated operational current Ie	80A	
Rated operational voltage Ue	690V	
Rated impulse withstand current Ipk	6KV	
Rated insulation voltage	1000V	
Short circuit stability	Short circuit protection of circuit breaker adaptor carrying	
Pole	3Pole with terminal without cable	
For busbar (mm)	12、15、20、25、30 x 5、10 and irregular copper busbar	
Suitable MCB	DN55312	iC65 series+accessories、GV3 series、MS165 series+accessories、5SY65 series+accessories、3RV series、DZ47 series +accessories、M-L7 series+accessories
	DN55337	iC65 series+accessories+LC1 series、GV3 series+LC1 series、MS165 series+accessories+AX series、5SY65 series+accessories+3TF series、3RV series+3TF series、DZ47 series +accessories、M-L7 series+accessories
Frame material	Temperature resistance 125 ° C, flame retardant V0.	
Reference standard	IEC 61439-1 GB/T 7251.1	
Dimension drawing please refer to page 72		

DN55313 DN55338



Item No.	DN55313	81*260 with 1 support
	DN55338	81*260 with 2 supports
Model No.	ZJQ-80	
Applied to system	60mm	
Rated operational current Ie	80A	
Rated operational voltage Ue	690V	
Rated impulse withstand current Ipk	6KV	
Rated insulation voltage	1000V	
Short circuit stability	Short circuit protection of circuit breaker adaptor carrying	
Pole	3Pole with terminal without cable	
For busbar (mm)	12、15、20、25、30 x 5、10 and irregular copper busbar	
Suitable MCB	DN55313	NG125 series、GV4 series、MS165 series+accessories、5SP4 series、3RV series
	DN55338	NG125 series+LC1 series、GV4 series+LC1 series、MS165 series+accessories+AX series、5SP4 series+3TF series、3RV series+3TF series
Frame material	Temperature resistance 125 ° C, flame retardant V0.	
Reference standard	IEC 61439-1 GB/T 7251.1	
Dimension drawing please refer to page 72		

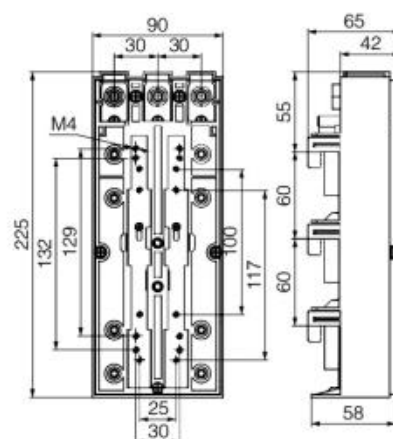
Dimensions of Breaker Adaptor



MCCB Adaptor 160A 3Pole

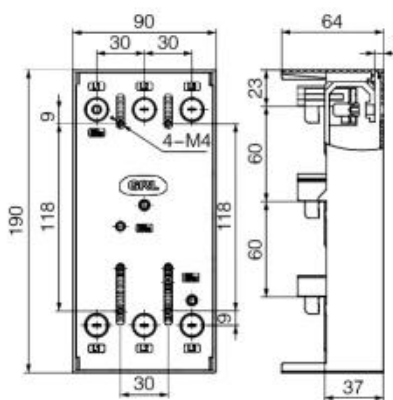
MCCB	Dimension	System	Item No.
CHINT NM1-125 NADER NDM3-160 TGM1E-125 CHINT NXM1 (Customized installation board)	30×129(130)×M4 25×100(117)×M4	Top connection to the system	DN55160
		Bottom connection to the system	DN55017

Model No.	ZJQ-160
Rated operational current Ie	160 A
Rated operational voltage Ue	690 V
Rated impulse withstand current Ipk	6 kV
Rated insulation voltage	1000V
System	60 mm
For busbar (mm)	12、15、20、25、30 x 5、10 flat copper busbar
Accessories	DN28000 3pcs
Reference standard	IEC 61439-1 GB/T 7251.1
Special requirement	Front side connection type



MCCB	Dimension	System	Item No.
CHANGSHU CM5-125	8.5×30×118×M4	Top connection to the system	DN55118

Model No.	ZJQ-160
Rated operational current Ie	160 A
Rated operational voltage Ue	690 V
Rated impulse withstand current Ipk	6 kV
Rated insulation voltage	1000V
System	60 mm
For busbar (mm)	12、15、20、25、30 x 5、10 flat copper busbar
Accessories	Terminal accessory
Reference standard	IEC 61439-1 GB/T 7251.1
Special requirement	Support connection at back side

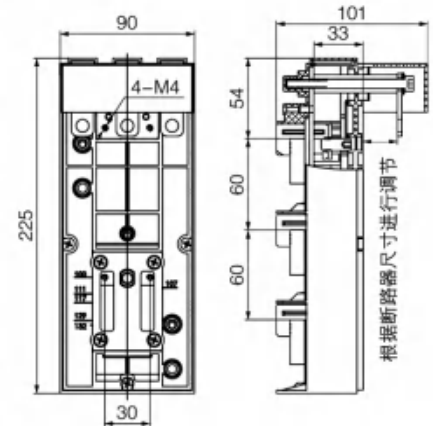


MCCB Adaptor 160A 3Pole



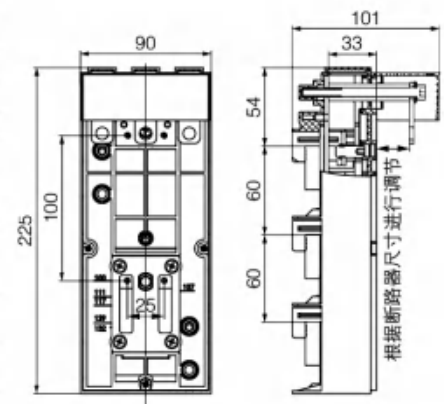
MCCB	Dimension	System	Item No.
CHINT NM1-125	1.5×30×129×M4	Top connection to the system	DN55030
NADER NDM3-125		Bottom connection to the system	DN55031
ABB-T2	30×107×M4	Top connection to the system	DN55063
		Bottom connection to the system	DN55064
NADER NDM3-160C	30×117×M4	Top connection to the system	DN55065
		Bottom connection to the system	DN55066
HUM8D-100SC TGM3E-160	30×132×M4	Top connection to the system	DN55067
		Bottom connection to the system	DN55068

Model No.	ZJQ-160
Rated operational current Ie	160 A
Rated operational voltage Ue	690 V
Rated impulse withstand current Ipk	6 kV
Rated insulation voltage	1000V
System	60 mm
For busbar (mm)	12、15、20、25、30 x 5、10 flat copper busbar
Accessories	Terminal accessory
Reference standard	IEC 61439-1 GB/T 7251.1
Special requirement	Front side connection type



MCCB	Dimension	System	Item No.
Siemens 3VT8- VT63/VT100	1.5×25×100×M4	Top connection to the system	DN55032
		Bottom connection to the system	DN55033
ABB XT1 ABB TMAX-T1	4×25×107×M4	Top connection to the system	DN55069
		Bottom connection to the system	DN55070
CHINT NM1-63	25×117×M4	Top connection to the system	DN55071
		Bottom connection to the system	DN55072
/	25×107×M3	Top connection to the system	DN55079
		Bottom connection to the system	DN55080
CHANGSHU CM1-63 CHANGSHU CM2-63	25×117×M3	Top connection to the system	DN55081
		Bottom connection to the system	DN55082
/	25×100×M4	Top connection to the system	DN55083
		Bottom connection to the system	DN55084
Schneider EZD-100	25×111×M4	Top connection to the system	DN55177
Schneider CVS100		Bottom connection to the system	DN55178
Schneider EZC-100 Schneider NSX-100S			

Model No.	ZJQ-160
Rated operational current Ie	160 A
Rated operational voltage Ue	690 V
Rated impulse withstand current Ipk	6 kV
Rated insulation voltage	1000V
System	60 mm
For busbar (mm)	12、15、20、25、30 x 5、10 flat copper busbar
Accessories	Terminal accessory
Reference standard	IEC 61439-1 GB/T 7251.1
Special requirement	Front side connection type

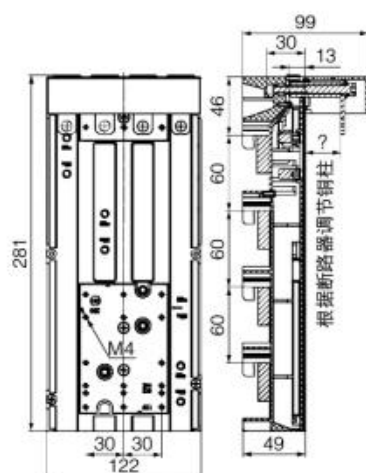


MCCB Adaptor 160A 4Pole



MCCB	Dimension	System	Item No.
NADER NDM3L-125/4 CHINT NM1LE-125/4	30×131 (186, 204, 210) ×M4	Top connection to the system	DN55032
		Bottom connection to the system	DN55033
CHANGSHU CM3-100 TGM1L-125M HUM1L-100/4	30×129 (200) ×M4	Top connection to the system	DN55122
		Bottom connection to the system	DN55051

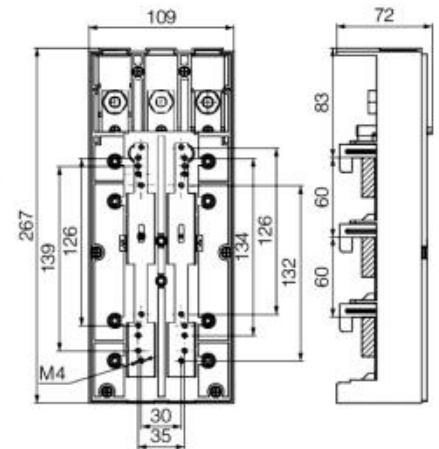
Model No.	ZJQ-160
Rated operational current Ie	160 A
Rated operational voltage Ue	690 V
Rated impulse withstand current Ipk	6 KV
Rated insulation voltage	1000V
System	60 mm
For busbar (mm)	12、15、20、25、30 x 5、10 flat copper busbar
Accessories	Terminal accessory
Reference standard	IEC 61439-1 GB/T 7251.1
Special requirement	Front side connection type



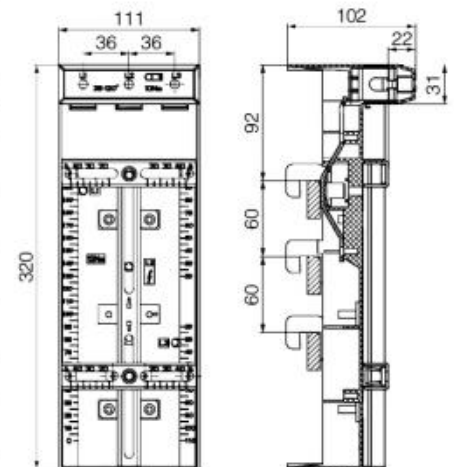
MCCB Adaptor 250A 3Pole



MCCB	Dimension	System	Item No.
Schneider NSU-250/3 Schneider NSX-250/3 Schneider EZS-225/3 Eaton NZM2 Customized installation board	35 × 126 (132、139) × M4	Top connection to the system Bottom connection to the system	DN55250 DN55018
Model No.	ZJQ-250		
Rated operational current Ie	250 A		
Rated operational voltage Ue	690 V		
Rated impulse withstand current Ipk	6 kV		
Rated insulation voltage	1000V		
System	60 mm		
For busbar (mm)	12、15、20、25、30 × 5、10 flat copper busbar		
Accessories	Soft connection copper bar 3pcs		
Reference standard	IEC 61439-1 GB/T 7251.1		
Special requirement	Front side connection type		



MCCB	Dimension	System	Item No.
Schneider NSU-250/3 Schneider NSX-250/3 Schneider EZS-225/3	35 × 126 (132、139) × M4	Top connection to the system	DN55168
Model No.	ZJQ-250		
Rated operational current Ie	250 A		
Rated operational voltage Ue	690 V		
Rated impulse withstand current Ipk	6 kV		
Rated insulation voltage	1000V		
System	60 mm		
For busbar (mm)	12、15、20、25、30 × 5、10 flat copper busbar		
Accessories			
Reference standard	IEC 61439-1 GB/T 7251.1		
Special requirement	Front side connection type		

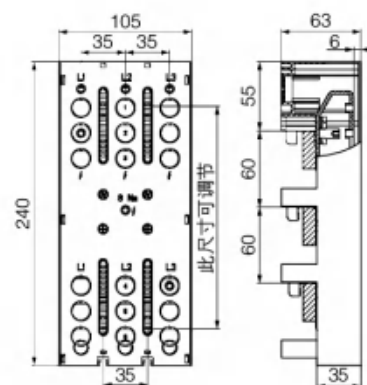


MCCB Adaptor 250A 3Pole



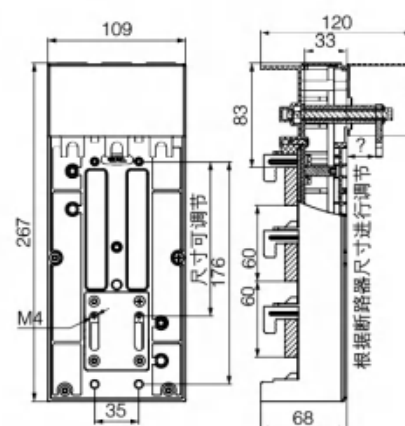
MCCB	Dimension	System	Item No.
Siemens 3VT2-250/3	15×35×162×M4	Top connection to the system	DN55008
Siemens 3VT8-250/3	2×35×139×M4	Bottom connection to the system	DN55601

Model No.	ZJQ-250
Rated operational current Ie	250 A
Rated operational voltage Ue	690 V
Rated impulse withstand current Ipk	6 kV
Rated insulation voltage	1000V
System	60 mm
For busbar (mm)	12、15、20、25、30 x 5、10 flat copper busbar
Accessories	Terminal accessory
Reference standard	IEC 61439-1 GB/T 7251.1
Special requirement	Support connection at back side



MCCB	Dimension	System	Item No.
ABB TMAX-T3/3	35×126×M4	Top connection to the system Bottom connection to the system	DN55037 DN55639
Schneider NSX-250/3 RMM1-250/3 CHANGSHU CM1-225/3	35×122×M4	Top connection to the system Bottom connection to the system	DN55181 DN55158
Siemens 3VT8-VT250/3 RMM2-250/3	35×139×M4	Top connection to the system Bottom connection to the system	DN55159 DN55161
Eaton NZM2-250	35×146×M4	Top connection to the system Bottom connection to the system	DN55162 DN55163

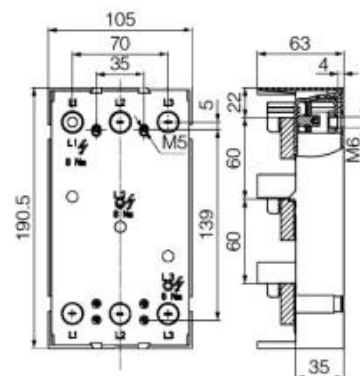
Model No.	ZJQ-250
Rated operational current Ie	250 A
Rated operational voltage Ue	690 V
Rated impulse withstand current Ipk	6 kV
Rated insulation voltage	1000V
System	60 mm
For busbar (mm)	12、15、20、25、30 x 5、10 flat copper busbar
Accessories	Terminal accessory
Reference standard	IEC 61439-1 GB/T 7251.1
Special requirement	Front side connection type



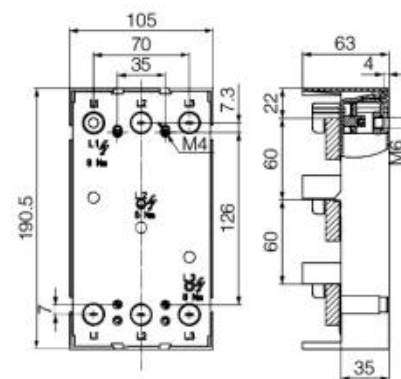
MCCB Adaptor 250A 3Pole



MCCB	Dimension	System	Item No.
RMM2-250/3	35×139×M5	Top connection to the system	DN55154
Model No.	ZJQ-250		
Rated operational current Ie	250 A		
Rated operational voltage Ue	690 V		
Rated impulse withstand current Ipk	6 KV		
Rated insulation voltage	1000V		
System	60 mm		
For busbar (mm)	12、15、20、25、30×5、10 flat copper busbar		
Accessories	Terminal accessory		
Reference standard	IEC 61439-1 GB/T 7251.1		
Special requirement	Support connection at back side		



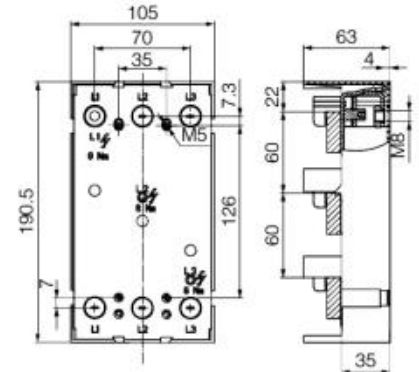
MCCB	Dimension	System	Item No.
Schneider NSX-250/3 RMM1-250/3	35×126 ×M4	Top connection to the system Bottom connection to the system	DN55155
Model No.	ZJQ-250		
Rated operational current Ie	250 A		
Rated operational voltage Ue	690 V		
Rated impulse withstand current Ipk	6 KV		
Rated insulation voltage	1000V		
System	60 mm		
For busbar (mm)	12、15、20、25、30×5、10 flat copper busbar		
Accessories	Terminal accessory		
Reference standard	IEC 61439-1 GB/T 7251.1		
Special requirement	Support connection at back side		



MCCB Adaptor 250A 3Pole

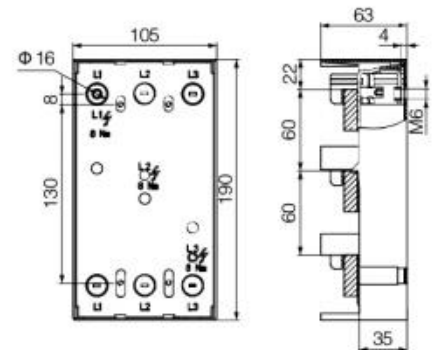
MCCB	Dimension	System	Item No.
Schneider NSX-250/3	35 × 126	Top connection to the system	DN55156
Schneider EZS-225/3	× M5	Bottom connection to the system	

Model No.	ZJQ-250
Rated operational current Ie	250 A
Rated operational voltage Ue	690 V
Rated impulse withstand current Ipk	6 kV
Rated insulation voltage	1000V
System	60 mm
For busbar (mm)	12、15、20、25、30 x 5、10 flat copper busbar
Accessories	Terminal accessory
Reference standard	IEC 61439-1 GB/T 7251.1
Special requirement	Support connection at back side



MCCB	Dimension	System	Item No.
Schneider NSX-250/3	35 × 130	Top connection to the system	DN55180
Schneider EZS-225/3	× M4	Bottom connection to the system	

Model No.	ZJQ-250
Rated operational current Ie	250 A
Rated operational voltage Ue	690 V
Rated impulse withstand current Ipk	6 kV
Rated insulation voltage	1000V
System	60 mm
For busbar (mm)	12、15、20、25、30 x 5、10 flat copper busbar
Accessories	Terminal accessory
Reference standard	IEC 61439-1 GB/T 7251.1
Special requirement	Support connection at back side

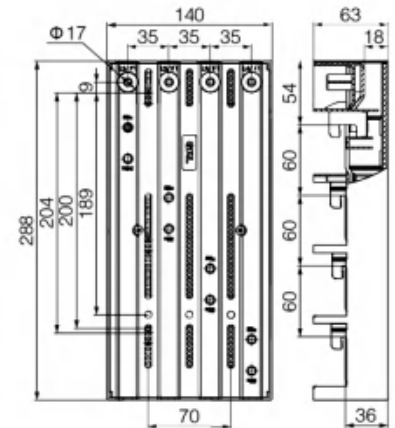


MCCB Adaptor 250A 4Pole



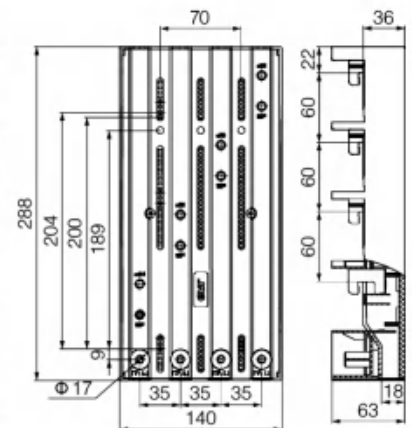
MCCB	Dimension	System	Item No.
TGM2LC-250	70×204×M4	Top connection to the system	DN55037
CHINT NM8SL-100/4 QLM2L-250/4 NADER NDM3L-250	70×126 ×M4	Top connection to the system	DN55188
QLL2-250/4 QKM1L-250/4 CBRM3EL-250	70×200 ×M4	Top connection to the system	DN55189
Siemens NXMLE-250/4 SYM2EL-250C	70×131×M4 70×188.5×M4	Top connection to the system Top connection to the system	DN55190 DN55191

Model No.	ZJQ-250
Rated operational current Ie	250 A
Rated operational voltage Ue	690 V
Rated impulse withstand current Ipk	6 kV
Rated insulation voltage	1000V
System	60 mm
For busbar (mm)	12、15、20、25、30 x 5、10 flat copper busbar
Accessories	Terminal accessory or soft connection DN28001 4Pole
Reference standard	IEC 61439-1 GB/T 7251.1
Special requirement	Back side punch is available/other selection according to actual system design



MCCB	Dimension	System	Item No.
TGM2LC-250	70×204×M4	Bottom connection to the system	DN55185
CHINT NM8SL-100/4 QLM2L-250/4 NADER NDM3L-250	70×126×M4	Bottom connection to the system	DN55192
QLL2-250/4 QKM1L-250/4 CBRM3EL-250	70×200×M4	Bottom connection to the system	DN55193
CHINT NXMLE-250/4 SYM2EL-250C	70×131×M4 70×188.5×M4	Bottom connection to the system Bottom connection to the system	DN55194 DN55195

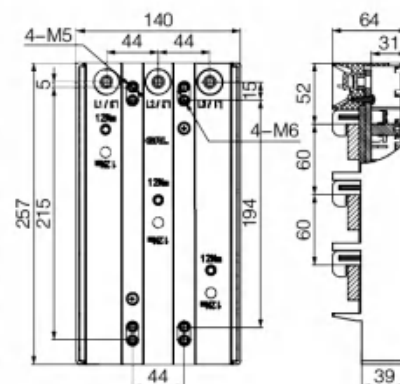
Model No.	ZJQ-250
Rated operational current Ie	250 A
Rated operational voltage Ue	690 V
Rated impulse withstand current Ipk	6 kV
Rated insulation voltage	1000V
System	60 mm
For busbar (mm)	12、15、20、25、30 x 5、10 flat copper busbar
Accessories	Terminal accessory or soft connection DN28001 4Pole
Reference standard	IEC 61439-1 GB/T 7251.1
Special requirement	Back side punch is available/other selection according to actual system design



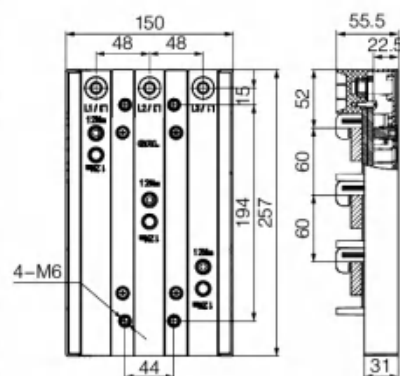
MCCB Adaptor 400A 3Pole



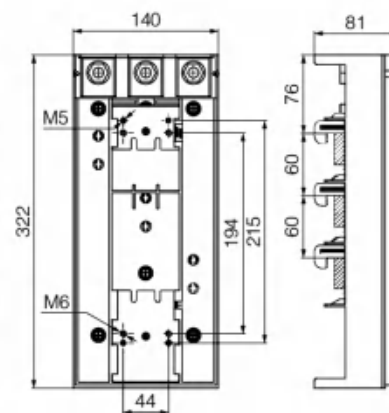
MCCB	Dimension	System	Item No.
RMM1-400	44×194×M6	Top connection to the system	DN55001
HUM8D-400	44×215×M5	Bottom connection to the system	DN55011
TGM1-400	44×215×M5		
Model No.		ZJQ-400	
Rated operational current Ie		400 A	
Rated operational voltage Ue		690 V	
Rated impulse withstand current Ipk		6 kV	
Rated insulation voltage		1000V	
System		60 mm	
For busbar (mm)		15、20、25、30 x 10 Flat copper busbar & Irregular copper busbar	
Accessories		Terminal accessory	
Reference standard		IEC 61439-1 GB/T 7251.1	
Special requirement		Support connection at back side	



MCCB	Dimension	System	Item No.
CHINT NM1-400	44(48)×	Top connection to the system	DN55004
TGM1E-400	194×M6	Bottom connection to the system	DN55014
CBRM1E-400	194×M6		
Model No.		ZJQ-400	
Rated operational current Ie		400 A	
Rated operational voltage Ue		690 V	
Rated impulse withstand current Ipk		6 kV	
Rated insulation voltage		1000V	
System		60 mm	
For busbar (mm)		15、20、25、30 x 10 Flat copper busbar & Irregular copper busbar	
Accessories		Terminal accessory	
Reference standard		IEC 61439-1 GB/T 7251.1	
Special requirement		Support connection at back side	



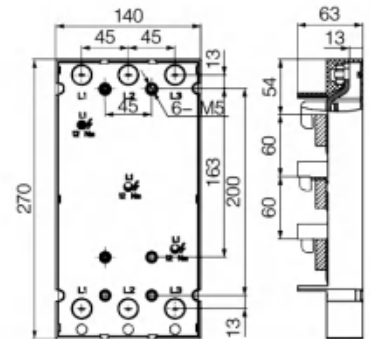
MCCB	Dimension	System	Item No.
CHINT NM1-400	44×194×M6	Top connection to the system	DN55630
TGM1E-400	44×215×M5	Bottom connection to the system	DN55019
CBRM1E-400	44×215×M5		
Model No.		ZJQ-400	
Rated operational current Ie		400 A	
Rated operational voltage Ue		690 V	
Rated impulse withstand current Ipk		6 kV	
Rated insulation voltage		1000V	
System		60 mm	
For busbar (mm)		15、20、25、30 x 10 Flat copper busbar & Irregular copper busbar	
Accessories		DN28002 3Pole	
Reference standard		IEC 61439-1 GB/T 7251.1	
Special requirement		Front side connection type	



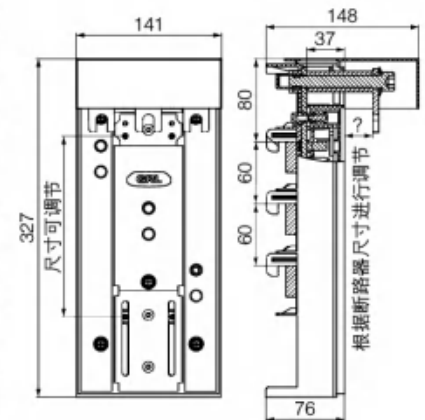
MCCB Adaptor 400A 3Pole



MCCB	Dimension	System	Item No.
Schneider NSX-400 Schneider CVS-400 CHINT NM8-400	45×200×M5	Top/Bottom connection to the system	DN55157
Model No.	ZJQ-400		
Rated operational current Ie	400 A		
Rated operational voltage Ue	690 V		
Rated impulse withstand current Ipk	6 kV		
Rated insulation voltage	1000V		
System	60 mm		
For busbar (mm)	15、20、25、30 x 10 Flat copper busbar & Irregular copper busbar		
Accessories	Terminal accessory		
Reference standard	IEC 61439-1 GB/T 7251.1		
Special requirement	Support connection at back side		



MCCB	Dimension	System	Item No.
/	44 × 194 × M5	Top connection to the system	DN55036
		Bottom connection to the system	DN55038
ABB TMAX T5	45 × 176 × M5	Top connection to the system	DN55073
		Bottom connection to the system	DN55074
Schneider NSX-400 Schneider CVS-400 CHINT NM8-400	44 × 200 × M5	Top connection to the system	DN55075
		Bottom connection to the system	DN55076
TGM1-400 CDMK-400	44 × 215 × M5	Top connection to the system	DN55077
		Bottom connection to the system	DN55078
CHINT NM1-400 TGM1E-400 CBRM1E-400	44 × 194 × M6	Top connection to the system	DN55085
		Bottom connection to the system	DN55086
/	45 × 176 × M6	Top connection to the system	DN55087
		Bottom connection to the system	DN55088
/	44 × 200 × M6	Top connection to the system	DN55089
		Bottom connection to the system	DN55090
/	44 × 215 × M6	Top connection to the system	DN55091
		Bottom connection to the system	DN55092

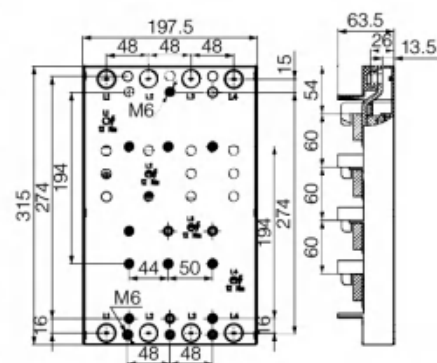


Model No.	ZJQ-400
Rated operational current Ie	400 A
Rated operational voltage Ue	690 V
Rated impulse withstand current Ipk	6 kV
Rated insulation voltage	1000V
System	60 mm
For busbar (mm)	15、20、25、30 x 10 Flat copper busbar & Irregular copper busbar
Accessories	Terminal accessory
Reference standard	IEC 61439-1 GB/T 7251.1
Special requirement	Front side connection type

MCCB Adaptor 400A 4Pole

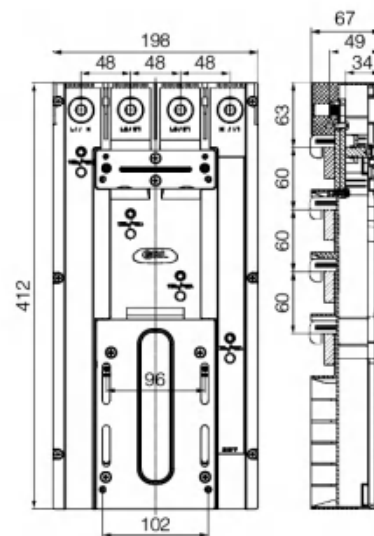
MCCB	Dimension	System	Item No.
CHINT NM1-400/4 QKM1E-400/4 QLL2-400ZY	94 (44+50) ×48×194×M5 48×274×M6	Top/Bottom connection to the system	DN55007

Model No.	ZJQ-400
Rated operational current Ie	400 A
Rated operational voltage Ue	690 V
Rated impulse withstand current Ipk	6 kV
Rated insulation voltage	1000V
System	60 mm
For busbar (mm)	15、20、25、30 x 10 Flat copper busbar & Irregular copper busbar
Accessories	Terminal accessory
Reference standard	IEC 61439-1 GB/T 7251.1
Special requirement	Support connection at back side



MCCB	Dimension	System	Item No.
TGM1L-400/4	95×194 ×M5	Top connection to the system	DN55035
		Bottom connection to the system	DN55062
SYM2EL-400	95×267 ×M6	Top connection to the system	DN55218
		Bottom connection to the system	DN55054
QLL2-400 CBRM3EL-400 人民 RDM1L-400	96×273 ×M6	Top connection to the system	DN55055
		Bottom connection to the system	DN55056
TGM2LC-400	96×287 ×M5	Top connection to the system	DN55058
		Bottom connection to the system	DN55059
QLL1-400	102×324× 51×M6	Top connection to the system	DN55060
		Bottom connection to the system	DN55061

Model No.	ZJQ-400
Rated operational current Ie	400 A
Rated operational voltage Ue	690 V
Rated impulse withstand current Ipk	6 kV
Rated insulation voltage	1000V
System	60 mm
For busbar (mm)	15、20、25、30 x 10 Flat copper busbar & Irregular copper busbar
Accessories	Terminal accessory
Reference standard	IEC 61439-1 GB/T 7251.1
Special requirement	Front side connection type

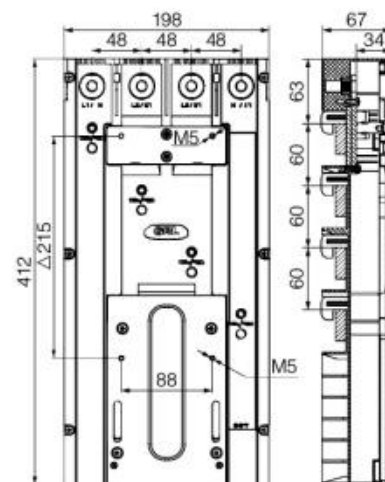


MCCB Adaptor 400A 4Pole



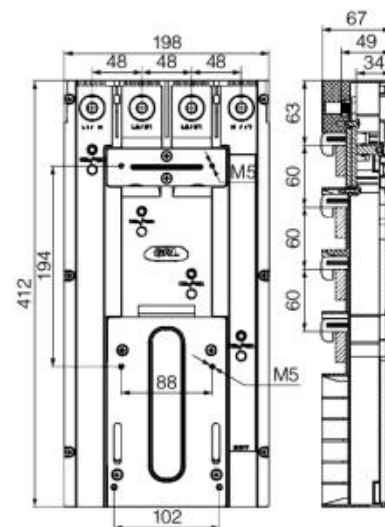
MCCB	Dimension	System	Item No.
TGM1-400/4	88×215×M5	Top connection to the system	DN55165
HYM1-400/4		Bottom connection to the system	DN55164

Model No.	ZJQ-400
Rated operational current Ie	400 A
Rated operational voltage Ue	690 V
Rated impulse withstand current Ipk	6 kV
Rated insulation voltage	1000V
System	60 mm
For busbar (mm)	15、20、25、30 x 10 Flat copper busbar & Irregular copper busbar
Accessories	Terminal accessory
Reference standard	IEC 61439-1 GB/T 7251.1
Special requirement	Front side connection type



MCCB	Dimension	System	Item No.
TGM1-400/4	88×194 × M5	Top connection to the system	DN55166
HYM1-400/4		Bottom connection to the system	DN55167

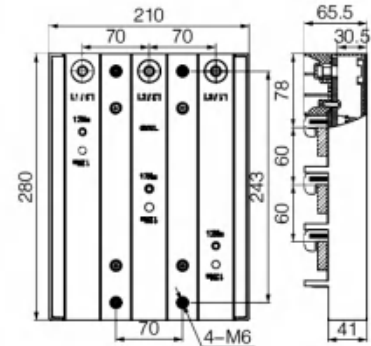
Model No.	ZJQ-400
Rated operational current Ie	400 A
Rated operational voltage Ue	690 V
Rated impulse withstand current Ipk	6 kV
Rated insulation voltage	1000V
System	60 mm
For busbar (mm)	15、20、25、30 x 10 Flat copper busbar & Irregular copper busbar
Accessories	Terminal accessory
Reference standard	IEC 61439-1 GB/T 7251.1
Special requirement	Front side connection type



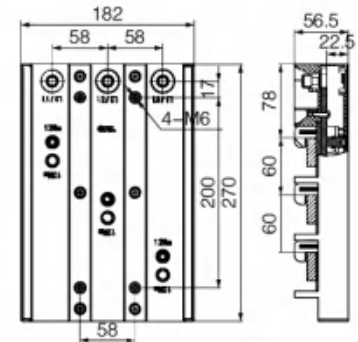
MCCB Adaptor 630A 3Pole



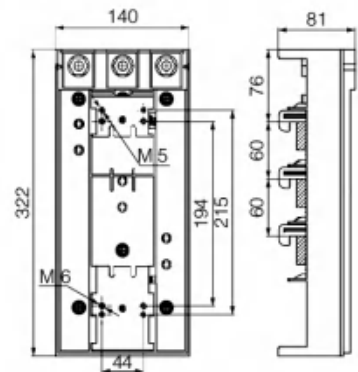
MCCB	Dimension	System	Item No.
RMM1-800/630	70 × 243 × M6	Top connection to the system	DN55002
CHANGSHU CM3E-800/630		Bottom connection to the system	DN55012
Model No.	ZJQ-630		
Rated operational current Ie	630 A		
Rated operational voltage Ue	690 V		
Rated impulse withstand current Ipk	6 kV		
Rated insulation voltage	1000V		
System	60 mm		
For busbar (mm)	15、20、25、30 x 10 Flat copper busbar & Irregular copper busbar		
Accessories	Terminal accessory		
Reference standard	IEC 61439-1 GB/T 7251.1		
Special requirement	Support connection at back side		



MCCB	Dimension	System	Item No.
TGM1-630	58 × 200 × M6	Top connection to the system	DN55005
TKDM1-630		Bottom connection to the system	DN55015
HYM1-630			
CHINT NXM-800(630)			
Model No.	ZJQ-630		
Rated operational current Ie	630 A		
Rated operational voltage Ue	690 V		
Rated impulse withstand current Ipk	6 kV		
Rated insulation voltage	1000V		
System	60 mm		
For busbar (mm)	15、20、25、30 x 10 Flat copper busbar & Irregular copper busbar		
Accessories	Terminal accessory		
Reference standard	IEC 61439-1 GB/T 7251.1		
Special requirement	Support connection at back side		



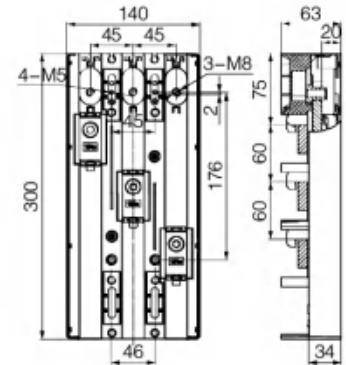
MCCB	Dimension	System	Item No.
TGM1E-630/3	44 × 194 × M6 44 × 215 × M5	Top connection to the system	DN55009
CDM6Ei-630/3		Bottom connection to the system	DN55042
Model No.	ZJQ-630		
Rated operational current Ie	630 A		
Rated operational voltage Ue	690 V		
Rated impulse withstand current Ipk	6 kV		
Rated insulation voltage	1000V		
System	60 mm		
For busbar (mm)	15、20、25、30 x 10 Flat copper busbar & Irregular copper busbar		
Accessories	DN28003 3 pole		
Reference standard	IEC 61439-1 GB/T 7251.1		
Special requirement	Front side connection type		



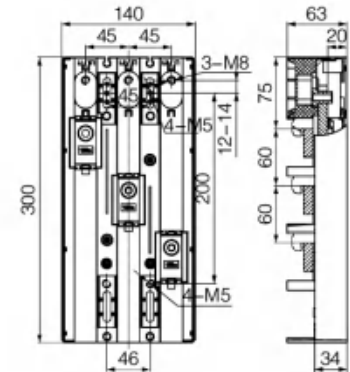
MCCB Adaptor 630A 3Pole



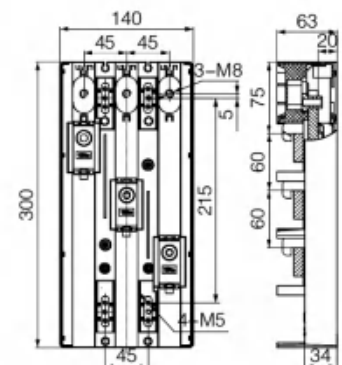
MCCB	Dimension	System	Item No.
ABB TMAX TS	-2 × 45 × 176 × M5	Top connection to the system	DN55593
		Bottom connection to the system	DN55043
Model No.	ZJQ-630		
Rated operational current Ie	630 A		
Rated operational voltage Ue	690 V		
Rated impulse withstand current Ipk	6 kV		
Rated insulation voltage	1000V		
System	60 mm		
For busbar (mm)	15、20、25、30 x 10 Flat copper busbar & Irregular copper busbar		
Accessories	Terminal accessory		
Reference standard	IEC 61439-1 GB/T 7251.1		
Special requirement	Support connection at back side		



MCCB	Dimension	System	Item No.
Schneider NSX-630 RMM2-630 CHANGSHU CM5-630	13 × 45 × 200 × M5	Top connection to the system	DN55020
		Bottom connection to the system	DN55044
Model No.	ZJQ-630		
Rated operational current Ie	630 A		
Rated operational voltage Ue	690 V		
Rated impulse withstand current Ipk	6 kV		
Rated insulation voltage	1000V		
System	60 mm		
For busbar (mm)	15、20、25、30 x 10 Flat copper busbar & Irregular copper busbar		
Accessories	Terminal accessory		
Reference standard	IEC 61439-1 GB/T 7251.1		
Special requirement	Support connection at back side		



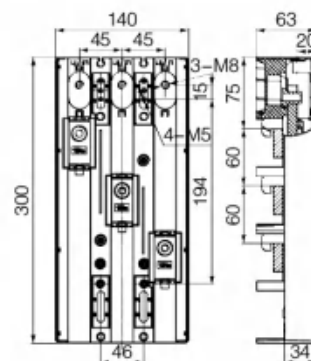
MCCB	Dimension	System	Item No.
TGM1-400 CDM6E-400	4.5 × 45 × 215 × M5	Top connection to the system	DN55023
		Bottom connection to the system	DN55021
Model No.	ZJQ-630		
Rated operational current Ie	630 A		
Rated operational voltage Ue	690 V		
Rated impulse withstand current Ipk	6 kV		
Rated insulation voltage	1000V		
System	60 mm		
For busbar (mm)	15、20、25、30 x 10 Flat copper busbar & Irregular copper busbar		
Accessories	Terminal accessory		
Reference standard	IEC 61439-1 GB/T 7251.1		
Special requirement	Support connection at back side		



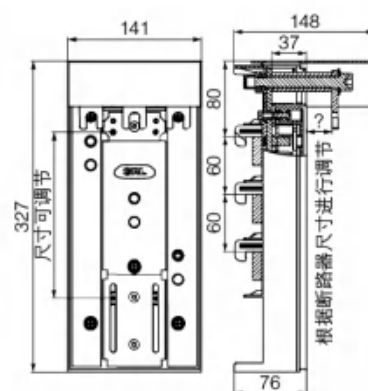
MCCB Adaptor 630A 3Pole



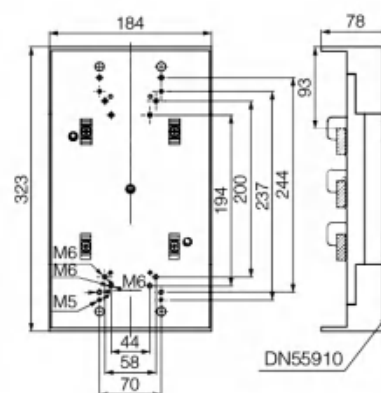
MCCB	Dimension	System	Item No.
CHINT NXM-630	15×45×	Top connection to the system	DN55028
	194×M5	Bottom connection to the system	DN55049
Model No.	ZJQ-630		
Rated operational current Ie	630 A		
Rated operational voltage Ue	690 V		
Rated impulse withstand current Ipk	6 KV		
Rated insulation voltage	1000V		
System	60 mm		
For busbar (mm)	15、20、25、30 x 10 Flat copper busbar & Irregular copper busbar		
Accessories	Terminal accessory		
Reference standard	IEC 61439-1 GB/T 7251.1		
Special requirement	Support connection at back side		



MCCB	Dimension	System	Item No.
TGM1E-630	44×194×M6	Top connection to the system	DN55101
		Bottom connection to the system	DN55102
Model No.	ZJQ-630		
Rated operational current Ie	630 A		
Rated operational voltage Ue	690 V		
Rated impulse withstand current Ipk	6 KV		
Rated insulation voltage	1000V		
System	60 mm		
For busbar (mm)	15、20、25、30 x 10 Flat copper busbar & Irregular copper busbar		
Accessories	Terminal accessory		
Reference standard	IEC 61439-1 GB/T 7251.1		
Special requirement	Front side connection type		



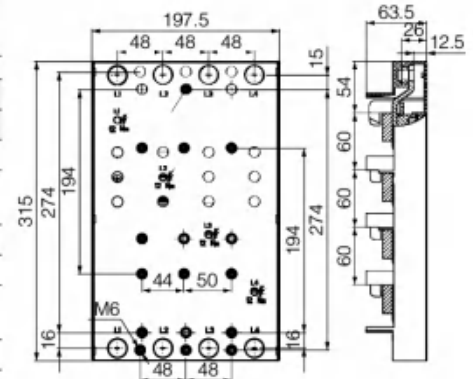
MCCB	Dimension	System	Item No.
TGM1E-630	44×194×M6	Top connection to the system	DN55909
TGM1-630	58×200×M6		
RMM1-800/630	70×237×M6		
CHANGSHU CM3E-800/630	70×243×M6		
Model No.	ZJQ-630		
Rated operational current Ie	630 A		
Rated operational voltage Ue	690 V		
Rated impulse withstand current Ipk	6 KV		
Rated insulation voltage	1000V		
System	60 mm		
For busbar (mm)	15、20、25、30 x 10 Flat copper busbar & Irregular copper busbar		
Accessories	with laminated copper & installation plate		
Reference standard	IEC 61439-1 GB/T 7251.1		
Special requirement	Front side connection type		



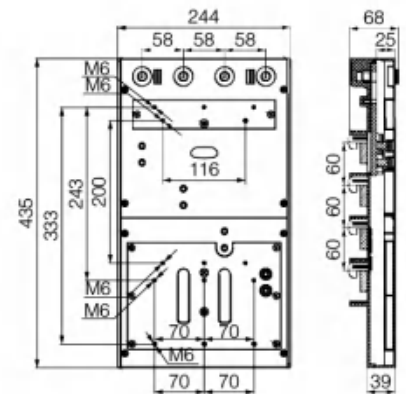
MCCB Adaptor 630A 4Pole



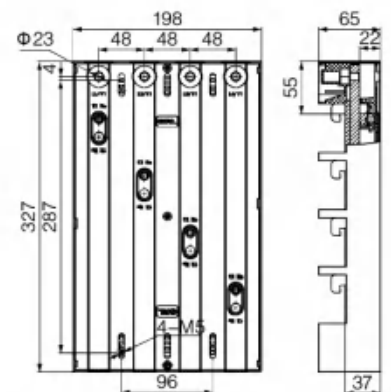
MCCB	Dimension	System	Item No.
RCCB width at 198mm	94 (44+50) × 48 × 194 × M5 48 × 274 × M5	Top/Bottom connection to the system	DN55016
Model No.	ZJQ-630		
Rated operational current Ie	630 A		
Rated operational voltage Ue	690 V		
Rated impulse withstand current Ipk	6 KV		
Rated insulation voltage	1000V		
System	60 mm		
For busbar (mm)	15、20、25、30 x 10 Flat copper busbar & Irregular copper busbar		
Accessories	Terminal accessory		
Reference standard	IEC 61439-1 GB/T 7251.1		
Special requirement	Support connection at back side		



MCCB	Dimension	System	Item No.
CHANGSHU CM3-630/4	58 × 200 × M6	Top connection to the system	DN55025
HYM1-630/4	140 × 243(333) × M6	Bottom connection to the system	DN55045
Model No.	ZJQ-630		
Rated operational current Ie	630 A		
Rated operational voltage Ue	690 V		
Rated impulse withstand current Ipk	6 KV		
Rated insulation voltage	1000V		
System	60 mm		
For busbar (mm)	15、20、25、30 x 10 Flat copper busbar & Irregular copper busbar		
Accessories	Terminal accessory		
Reference standard	IEC 61439-1 GB/T 7251.1		
Special requirement	Front side connection type		



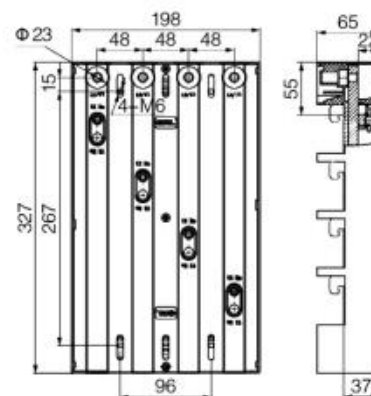
MCCB	Dimension	System	Item No.
TGM2LC-630 width 198	4 × 96 × 287 × M5	Top connection to the system	DN55183
		Bottom connection to the system	DN55186
Model No.	ZJQ-630		
Rated operational current Ie	630 A		
Rated operational voltage Ue	690 V		
Rated impulse withstand current Ipk	6 KV		
Rated insulation voltage	1000V		
System	60 mm		
For busbar (mm)	15、20、25、30 x 10 Flat copper busbar & Irregular copper busbar		
Accessories	Terminal accessory or with laminated copper (DN28003) 4Pole		
Reference standard	IEC 61439-1 GB/T 7251.1		
Special requirement	Back side punch is available/other selection according to actual system design(8003)		



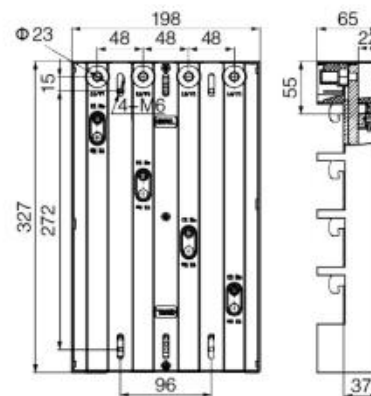
MCCB Adaptor 630A 4Pole



MCCB	Dimension	System	Item No.
SYM2EL-400 width 198	15×96× 267×M6	Top connection to the system	DN55196
		Bottom connection to the system	DN55197
Model No.	ZJQ-630		
Rated operational current Ie	630 A		
Rated operational voltage Ue	690 V		
Rated impulse withstand current Ipk	6 kV		
Rated insulation voltage	1000V		
System	60 mm		
For busbar (mm)	15、20、25、30 x 10 Flat copper busbar & Irregular copper busbar		
Accessories	Terminal accessory or with laminated copper (DN28003) 4Pole		
Reference standard	IEC 61439-1 GB/T 7251.1		
Special requirement	Back side punch is available/other selection according to actual system design8003)		



MCCB	Dimension	System	Item No.
QKM3L-400 CBRM3EL-400CY	15×96× 272×M6	Top connection to the system	DN55198
		Bottom connection to the system	DN55199
Model No.	ZJQ-630		
Rated operational current Ie	630 A		
Rated operational voltage Ue	690 V		
Rated impulse withstand current Ipk	6 kV		
Rated insulation voltage	1000V		
System	60 mm		
For busbar (mm)	15、20、25、30 x 10 Flat copper busbar & Irregular copper busbar		
Accessories	Terminal accessory or with laminated copper (DN28003) 4Pole		
Reference standard	IEC 61439-1 GB/T 7251.1		
Special requirement	Back side punch is available/other selection according to actual system design8003)		

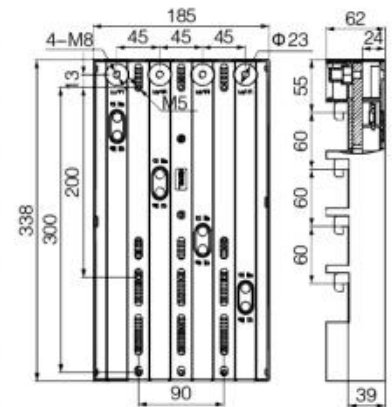


MCCB Adaptor 630A 4Pole



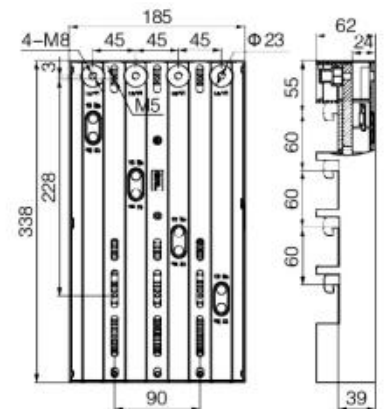
MCCB	Dimension	System	Item No.
CHINT NM8SL-400	13×90× 200×M5	Top connection to the system	DN55184
		Bottom connection to the system	DN55187

Model No.	ZJQ-630
Rated operational current I_e	630 A
Rated operational voltage U_e	690 V
Rated impulse withstand current I_{pk}	6 KV
Rated insulation voltage	1000V
System	60 mm
For busbar (mm)	15、20、25、30 x 10 Flat copper busbar & Irregular copper busbar
Accessories	Terminal accessory or with laminated copper (DN28003) 4Pole
Reference standard	IEC 61439-1 GB/T 7251.1
Special requirement	Back side punch is available/other selection according to actual system design(8003)



MCCB	Dimension	System	Item No.
CHINT NXMLE-400	3×90× 228×M5	Top connection to the system	DN55202
		Bottom connection to the system	DN55203

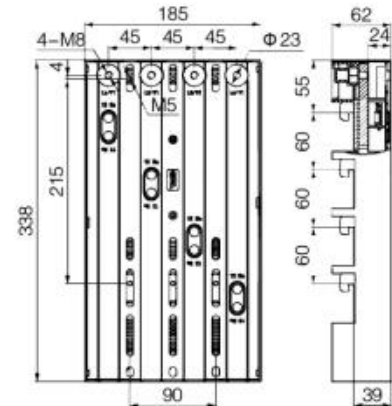
Model No.	ZJQ-630
Rated operational current I_e	630 A
Rated operational voltage U_e	690 V
Rated impulse withstand current I_{pk}	6 KV
Rated insulation voltage	1000V
System	60 mm
For busbar (mm)	15、20、25、30 x 10 Flat copper busbar & Irregular copper busbar
Accessories	Terminal accessory or with laminated copper (DN28003) 4Pole
Reference standard	IEC 61439-1 GB/T 7251.1
Special requirement	Back side punch is available/other selection according to actual system design(8003)



MCCB Adaptor 630A 4Pole

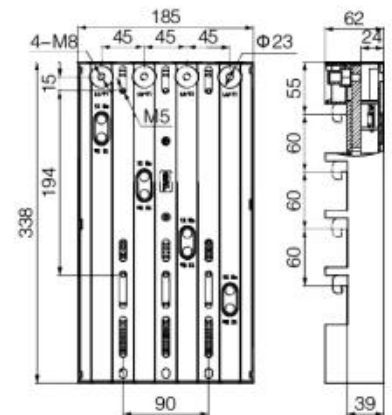
MCCB	Dimension	System	Item No.
TGM1-400/4	4×90×	Top connection to the system	DN55204
HYM1-400/4	215×M5	Bottom connection to the system	DN55205

Model No.	ZJQ-630
Rated operational current Ie	630 A
Rated operational voltage Ue	690 V
Rated impulse withstand current Ipk	6 kV
Rated insulation voltage	1000V
System	60 mm
For busbar (mm)	15、20、25、30 x 10 Flat copper busbar & Irregular copper busbar
Accessories	With laminated copper (DN28003) 4Pole
Reference standard	IEC 61439-1 GB/T 7251.1
Special requirement	Front side connection type



MCCB	Dimension	System	Item No.
TGM1E-400	15×90×	Top connection to the system	DN55206
CHINT NM1-400	194×M5	Bottom connection to the system	DN55207

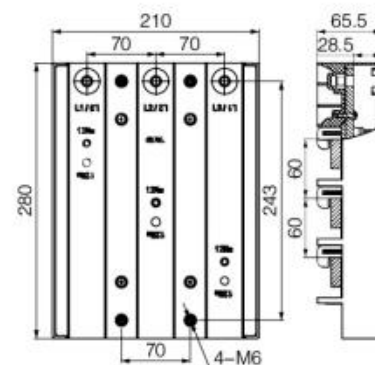
Model No.	ZJQ-630
Rated operational current Ie	630 A
Rated operational voltage Ue	690 V
Rated impulse withstand current Ipk	6 kV
Rated insulation voltage	1000V
System	60 mm
For busbar (mm)	15、20、25、30 x 10 Flat copper busbar & Irregular copper busbar
Accessories	With laminated copper (DN28003) 4Pole
Reference standard	IEC 61439-1 GB/T 7251.1
Special requirement	Front side connection type



MCCB Adaptor 800A 3Pole



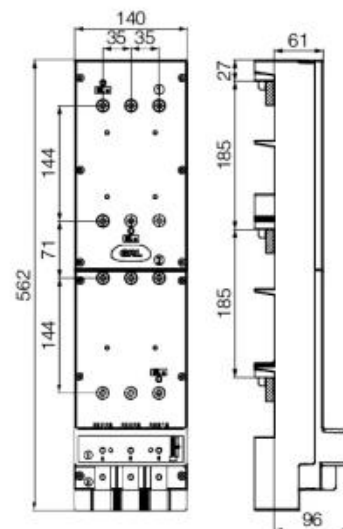
MCCB	Dimension	System	Item No.
RMM1-800	70 × 243	Top connection to the system	DN55003
CHANGSHU CM3E-800	× M6	Bottom connection to the system	DN55013
Model No.	ZJQ-800		
Rated operational current Ie	800 A		
Rated operational voltage Ue	690 V		
Rated impulse withstand current Ipk	6 KV		
Rated insulation voltage	1000V		
System	60 mm		
For busbar (mm)	15、20、25、30 x 10 Flat copper busbar & Irregular copper busbar		
Accessories	Terminal accessory		
Reference standard	IEC 61439-1 GB/T 7251.1		



MCCB Adaptor 250A 3Pole



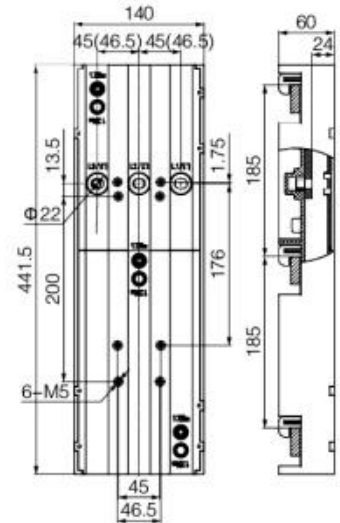
MCCB	Dimension	System	Item No.
Schneider NSX-250	35 × 144	Top connection to the system	DN55200
CHINT NM8-250			
TGM1E-250			
Model No.	ZJQ-250		
Rated operational current Ie	250 A		
Rated operational voltage Ue	690 V		
Rated impulse withstand current Ipk	6 KV		
Rated insulation voltage	1000V		
System	185 mm		
For busbar (mm)	15、20、25、30 x 10 Flat copper busbar & Irregular copper busbar		
Accessories	Terminal accessory		
Reference standard	IEC 61439-1 GB/T 7251.1		
Special requirement	Support breaker connection at back side		



MCCB Adaptor 400A 3Pole

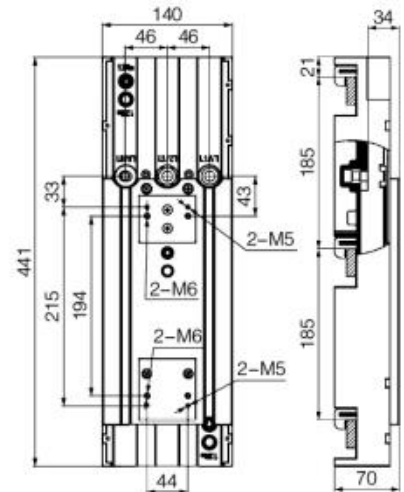
MCCB	Dimension	System	Item No.
Schneider NSX-400	45×200×M5	Top connection to the system	DN55006
RMM2-400	46.5×176×M5	Bottom connection to the system	DN55041
ABB TMX-T5			

Model No.	ZJQ-400
Rated operational current Ie	400 A
Rated operational voltage Ue	690 V
Rated impulse withstand current Ipk	6 kV
Rated insulation voltage	1000V
System	185 mm
For busbar (mm)	15、20、25、30 x 10 Flat copper busbar & Irregular copper busbar
accessories	Terminal accessory
Reference standard	IEC 61439-1 GB/T 7251.1
Special requirement	Support breaker connection at back side



MCCB	Dimension	System	Item No.
TGM1-400	45×194×M6	Top connection to the system	DN55027
TGM1E-400	45×215×M5	Bottom connection to the system	DN55050
CHANGSHU CM3E-400			

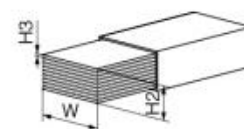
Model No.	ZJQ-400
Rated operational current Ie	400 A
Rated operational voltage Ue	690 V
Rated impulse withstand current Ipk	6 kV
Rated insulation voltage	1000V
System	185 mm
For busbar (mm)	15、20、25、30 x 10 Flat copper busbar & Irregular copper busbar
accessories	Terminal accessory
Reference standard	IEC 61439-1 GB/T 7251.1
Special requirement	Support breaker connection at front side



Laminated Copper Connection



H2	W	H3	Section (mm ²)	Current (A)	Item No.
2.5	13.5	0.1	33.75	160	DN28000
3	18.5	0.1	55.5	250	DN28001
4.5	28	0.1	126	400	DN28002
6	28	0.1	168	630	DN28003



Note 1: 3pole,order No.:DN28000/3. 4pole,order No.:DN28000/4
 Note 2: If customers want to customize thicker laminated copper, please call us at 0577-62690056.



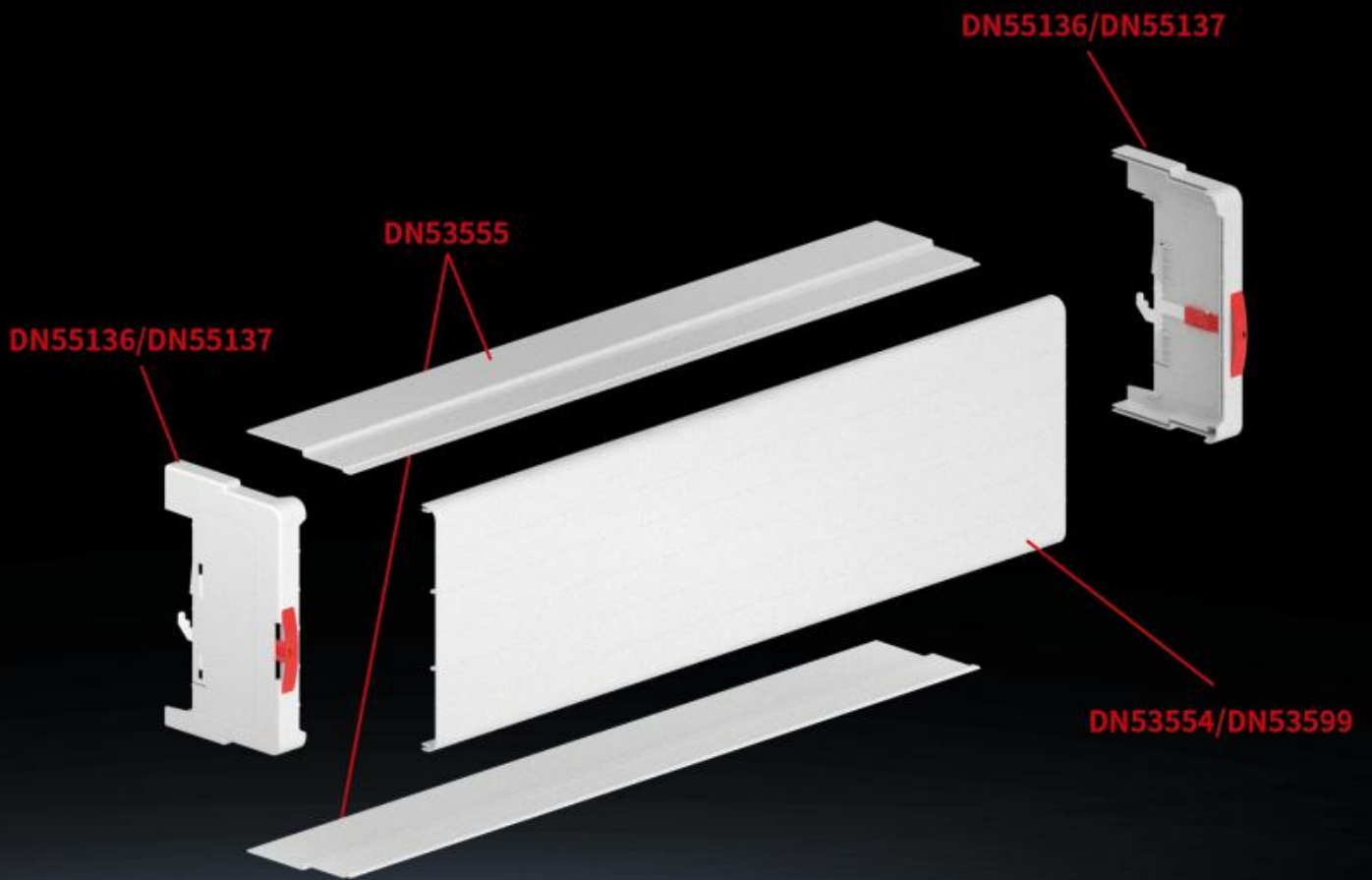
You worth a good supplier like GRL

Enclosed Components

The whole distribution system can be set up as an insulated enclosed unit without copper strip exposed.

We use flame retardant raw materials V0.
Enclosed components can meet different size requirements.

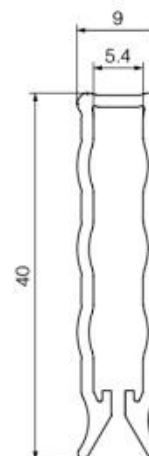




Busbar Cover

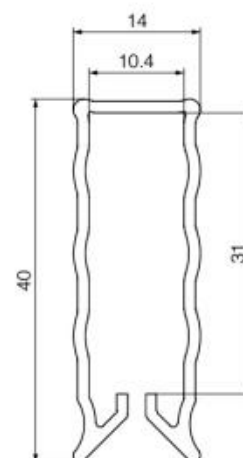
Item No. DN53244

Suitable for	12-30X5mm flat copper busbar
Function	Insulation protection
Material	PVC
Flame resistance class	Temperature resistance up to 125° C, flame retardant according to UL 94
Reference standard	IEC 61439-1 IEC 60999-1 IEC 60999-2 GB/T 7251.1



Item No. DN53245

Suitable for	12-30X10mm flat copper busbar
Function	Insulation protection
Material	PVC
Flame resistance class	Temperature resistance up to 125° C, flame retardant according to UL 94
Reference standard	IEC 61439-1 IEC 60999-1 IEC 60999-2 GB/T 7251.1

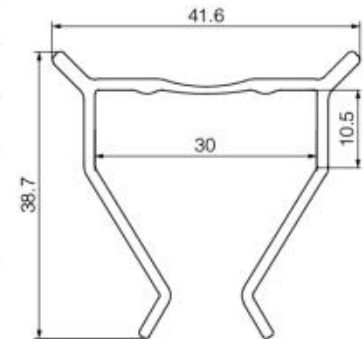


Busbar Cover



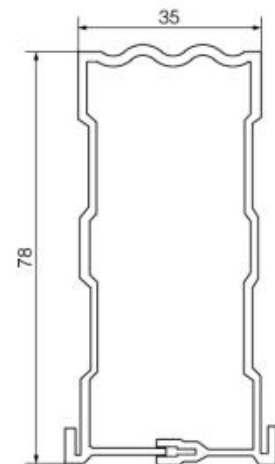
Item No. DN53020

Suitable for	T shape busbar
Function	Insulation protection
Material	PVC
Flame resistance class	Temperature resistance up to 125° C, flame retardant according to UL 94
Reference standard	IEC 61439-1 IEC 60999-1 IEC 60999-2 GB/T 7251.1



Item No. DN53252

Suitable for	2T、3T shape busbar
Function	Insulation protection
Material	PVC
Flame resistance class	Temperature resistance up to 125° C, flame retardant according to UL 94
Reference standard	IEC 61439-1 IEC 60999-1 IEC 60999-2 GB/T 7251.1

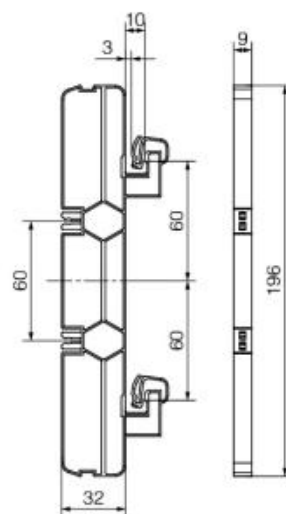


End Cover



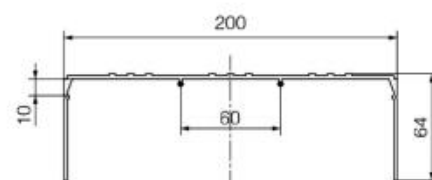
Item No. DN53016

Pole	3P
System	60 mm
Weight	44g
Suitable for	DN53025
Function	DN53025 as a reserve space cover
Material	Fiber glass reinforced polyamide polycarbonate
Flame resistance class	Temperature resistance up to 125° C, flame retardant according to UL 94
Reference standard	IEC 61439-1 IEC 60999-1 IEC 60999-2 GB/T 7251.1



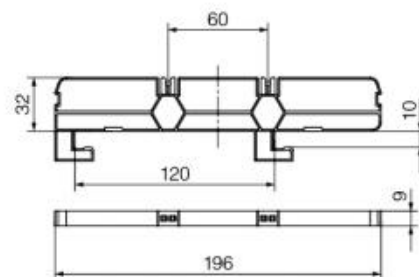
Item No. DN53025

Pole	3P
System	60 mm
Dimension	64 × 200 × 700mm
Weight	503g
Suitable for front cover	Busbar support DN53026 DN53320
Material	Fiber glass reinforced polyamide polycarbonate
Flame resistance class	Temperature resistance up to 125° C, flame retardant according to UL 94
Reference standard	IEC 61439-1 IEC 60999-1 IEC 60999-2 GB/T 7251.1



Item No. DN53026

Pole	3P
System	60 mm
Weight	44g
Suitable for	DN53025
Function	DN53025 as a reserve space cover
Material	Fiber glass reinforced polyamide polycarbonate
Flame resistance class	Temperature resistance up to 125° C, flame retardant according to UL 94
Reference standard	IEC 61439-1 IEC 60999-1 IEC 60999-2 GB/T 7251.1

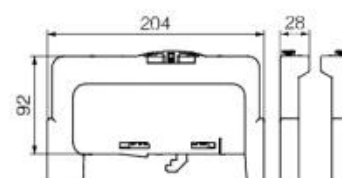


End Cover



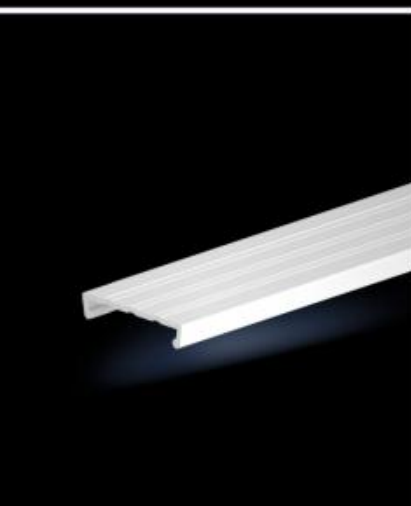
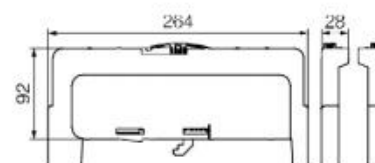
Item No. DN53136

Pole	3P
System	60 mm
Weight	189g
Suitable for front cover	DN53554
Suitable for top/ bottom cover	DN53555 DN53417
Suitable for busbar	12、 15、 20、 25、 30 x 5、 10mm and irregular copper busbar
Material	Fiber glass reinforced polyamide polycarbonate
Flame resistance class	Temperature resistance up to 125° C, flame retardant according to UL 94
Reference standard	IEC 61439-1 IEC 60999-1 IEC 60999-2 GB/T 7251.1



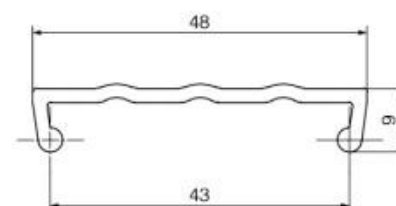
Item No. DN53137

Pole	4P
System	60 mm
Weight	227g
Suitable for front cover	DN53559
Suitable for top/ bottom cover	DN53555 DN53417
Suitable for busbar	12、 15、 20、 25、 30 x 5、 10mm and irregular copper busbar
Material	Fiber glass reinforced polyamide polycarbonate
Flame resistance class	Temperature resistance up to 125° C, flame retardant according to UL 94
Reference standard	IEC 61439-1 IEC 60999-1 IEC 60999-2 GB/T 7251.1



Item No. DN53236

Item name	Sealed cover
Dimension	48 x 1100mm
Suitable for Product	DN52231 DN52232 DN53320
Material	PVC
Flame resistance class	Temperature resistance up to 100° C, flame retardant according to UL 94
Reference standard	IEC 61439-1 GB/T 7251.1

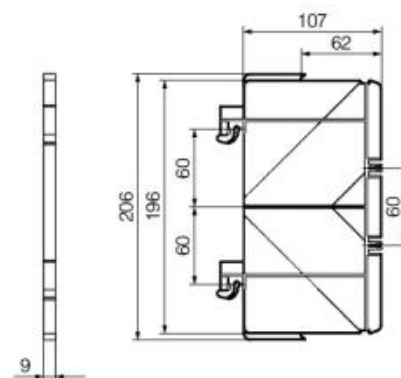


End Cover



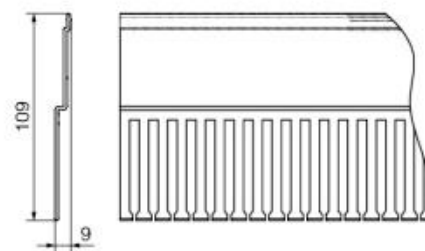
Item No. DN53320

Pole	3P
System	60 mm
Suitable for	DN53025
Function	DN53025 as a reserve space cover
Material	Fiber glass reinforced polyamide polycarbonate
Flame resistance class	Temperature resistance up to 125° C, flame retardant according to UL 94
Reference standard	IEC 61439-1 IEC 60999-1 IEC 60999-2 GB/T 7251.1



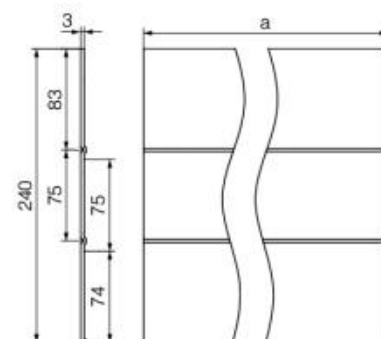
Item No. DN53417

Remark	Top/bottom cover grid shape
Product Length	Normal length is 1100mm
Weight	293g
Dimension(thickness Width Length)	9×109×1100mm
Suitable for	DN53136 Left and right supports DN53137 Left and right supports
Material	PVC
Flame resistance class	Temperature resistance up to 75° C, flame retardant according to UL 94
Reference standard	IEC 61439-1 IEC 60999-1 IEC 60999-2 GB/T 7251.1



Item No. DN53515 DN53518

Pole	3P
System	60 mm
DN53515 Dimension	3×240×700mm
DN53518 Dimension	3×240×1100mm
Weight DN53515	808g
Weight DN53518	1270g
Suitable for front cover	DN52508 DN52231 DN52232
Material	PVC
Flame resistance class	Temperature resistance up to 75° C, flame retardant according to UL 94
Reference standard:	IEC 61439-1 IEC 60999-1 IEC 60999-2 GB/T 7251.1

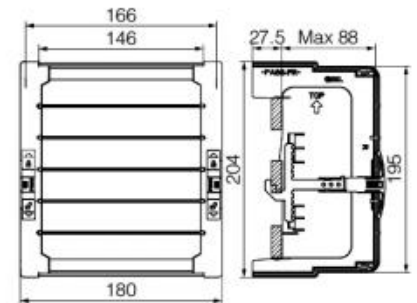


End Cover



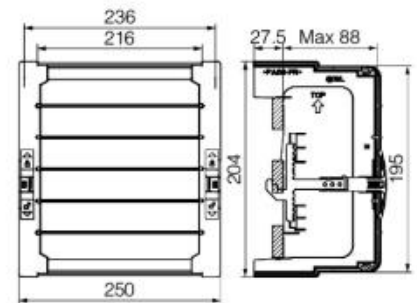
Item No. DN53539

Pole	3P
System	60 mm
Weight	398g
Function	Reserve space cover
Suitable for busbar	12、15、20、25、30×5、10mm and irregular copper busbar
Material	Fiber glass reinforced polyamide polycarbonate
Flame resistance class	Flame retardant according to UL 94
Reference standard	IEC 61439-1 IEC 60999-1 IEC 60999-2 GB/T 7251.1



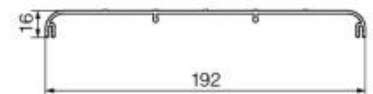
Item No. DN53540

Pole	3P
System	60 mm
Weight	486g
Function	Reserve space cover
Suitable for busbar	12、15、20、25、30×5、10mm and irregular copper busbar
Material	Fiber glass reinforced polyamide polycarbonate
Flame resistance class	Flame retardant according to UL 94
Reference standard	IEC 61439-1 IEC 60999-1 IEC 60999-2 GB/T 7251.1



Item No. DN53554

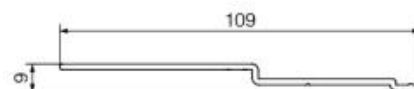
Product Length	Normal length is 1100mm
Weight	724g
Dimension(thickness Width Length)	16×192×1100mm
Suitable for	DN53136 Left and right supports
Material	PVC
Flame resistance class	Temperature resistance up to 75° C, flame retardant according to UL 94
Reference standard	IEC 61439-1 IEC 60999-1 IEC 60999-2 GB/T 7251.1



End Cover

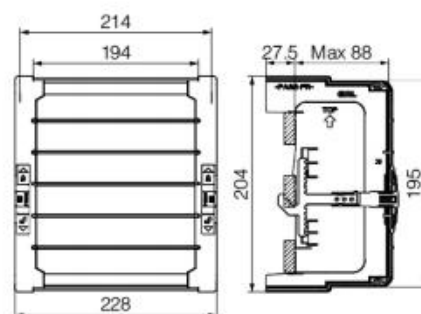
Item No. DN53555

Product Length	Normal length is 1100mm
Weight	338g
Dimension(thickness Width Length)	9×109×1100mm
Suitable for	DN53136 Left and right supports DN53137 Left and right supports
Material	PVC
Flame resistance class	Temperature resistance up to 75° C, flame retardant according to UL 94
Reference standard	IEC 61439-1 IEC 60999-1 IEC 60999-2 GB/T 7251.1



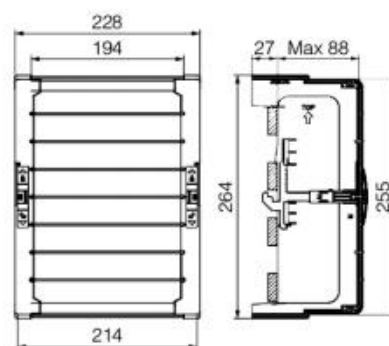
Item No. DN53596

Pole	3P
System	60 mm
Weight	457g
Function	Reserve space cover
Suitable for busbar	12、15、20、25、30×5、10mm and irregular copper busbar
Material	Fiber glass reinforced polyamide polycarbonate
Flame resistance class	Flame retardant according to UL 94
Reference standard	IEC 61439-1 IEC 60999-1 IEC 60999-2 GB/T 7251.1



Item No. DN53597

Pole	4P
System	60 mm
Weight	536g
Suitable	Busbar Clamp (connection clamp)
Suitable for busbar	12、15、20、25、30×5、10mm and irregular copper busbar
Material	Fiber glass reinforced polyamide polycarbonate
Flame resistance class	Flame retardant according to UL 94
Reference standard	IEC 61439-1 IEC 60999-1 IEC 60999-2 GB/T 7251.1



End Cover



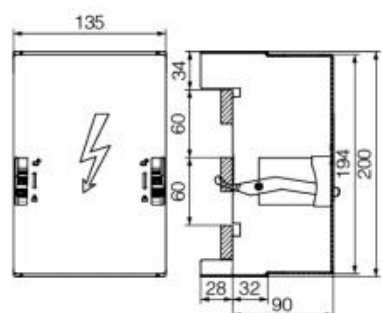
Item No. DN53599

Item name	Front cover
Product Length	Normal length is 1100mm
Weight	924g
Dimension(thickness Width Length)	16×252×1100mm
Suitable for	DN53137 Left and right supports
Material	PVC
Flame resistance class	Temperature resistance up to 75° C, flame retardant according to UL 94
Reference standard	IEC 61439-1 IEC 60999-1 IEC 60999-2 GB/T 7251.1



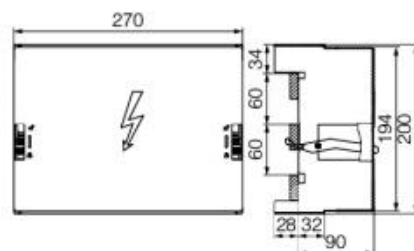
Item No. DN53756

Pole	3P
System	60 mm
Weight	253g
Function	Reserve space cover
Suitable for busbar	20、25、30×5、10mm and irregular copper busbar
Material	Fiber glass reinforced polyamide polycarbonate
Flame resistance class	Flame retardant according to UL 94
Reference standard	IEC 61439-1 IEC 60999-1 IEC 60999-2 GB/T 7251.1



Item No. DN53757

Pole	3P
System	60 mm
Weight	535g
Function	Reserve space cover
Suitable for busbar	20、25、30×5、10mm and irregular copper busbar
Material	Fiber glass reinforced polyamide polycarbonate
Flame resistance class	Flame retardant according to UL 94
Reference standard	IEC 61439-1 IEC 60999-1 IEC 60999-2 GB/T 7251.1



DNH18

Vertical Fuse switch Disconnecter

Details please refer to page 120



Horizontal Slip

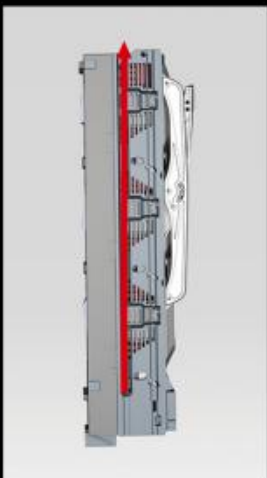
Easy to disassemble fuse link, and the red slip can be moved laterally to realize the fuse link locking and unlocking.



Arc Chamber Cover

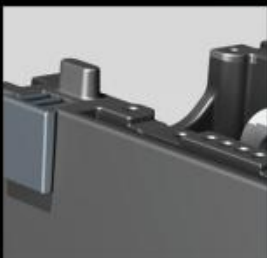
The switch with multi-layers arc chamber structure Fast extinguishing arc.

Separated contact cover could protect the contact during the installation.



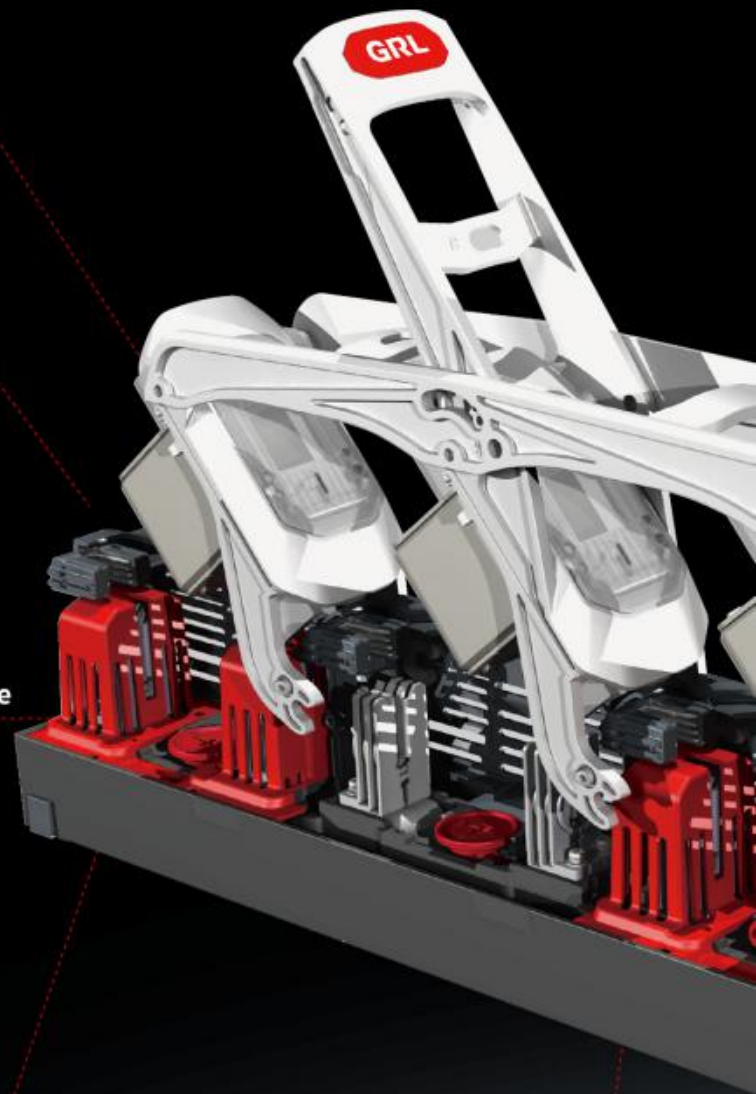
Heat Dissipation Structure

Heat sink channel is added to switch side, which speed up heat dissipation when switches are installed side by side.



Protection Holder

There are copper protection base at the bottom of the base, which prevent the copper surface abrasion.



Terminal Clamp

Terminal clamp fixed on the switch in advance, install with the switch together, which will improve the installation speed.

Optional with a Variety of Accessories



Single-phase ammeter



Transformer



Multimeter



Electric fuse link monitor

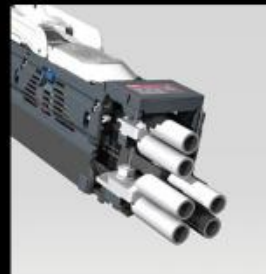


Terminal Cover

The terminal cover can be opened and fixed upward. It is convenient to connect cable.



Wiring Bolts



Cable Lug



V-Clamp



Double Cores Terminal Clamp

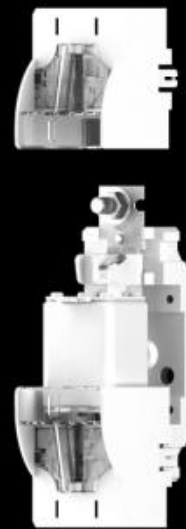
Optional Connect Wirings



DNF1

NT Fuse Base

Details please refer to page145



Insulating Cover

Insulating protection cover can reduce tochrisk of electric shock.



Contact

With T2 copper the performance is more reliable.

DNH1 Fuse Switch Disconnecter

Details please refer to page111



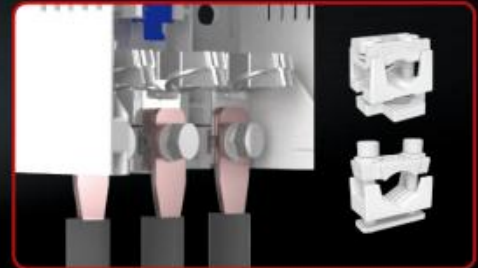
With T2 copper the performance is more reliable.



The pressing clamp helps install fuse easily.



Slotted screwdriver can disassemble the protective cover easily.

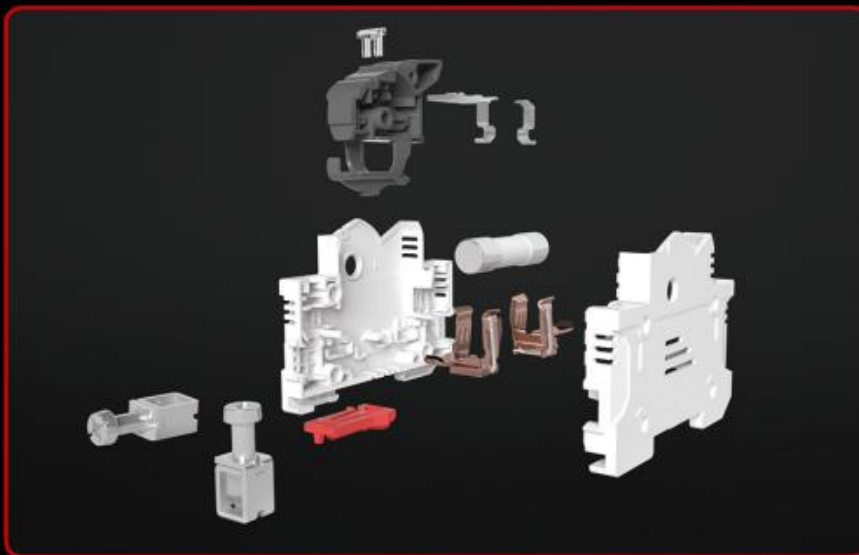


1.Cable lug connection
2.Clamp connection

RT18 series

Fuse Switch Disconnecter (RT Fuse switch disconnecter)

Details please refer to page130.

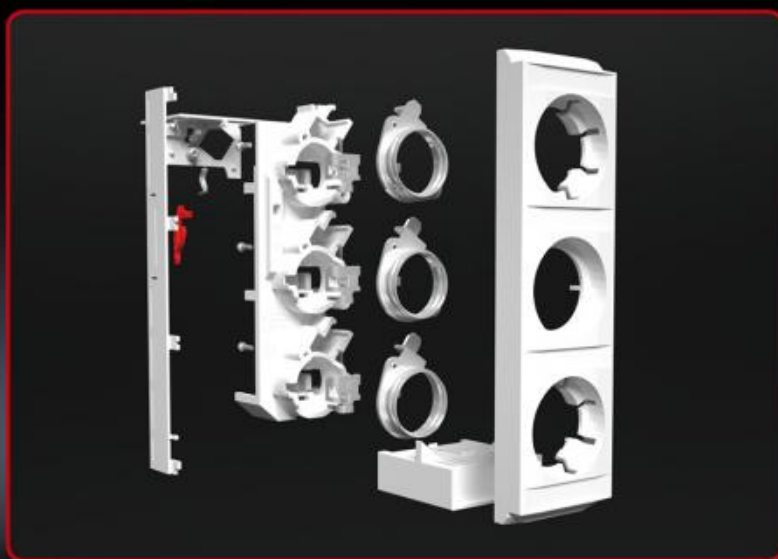
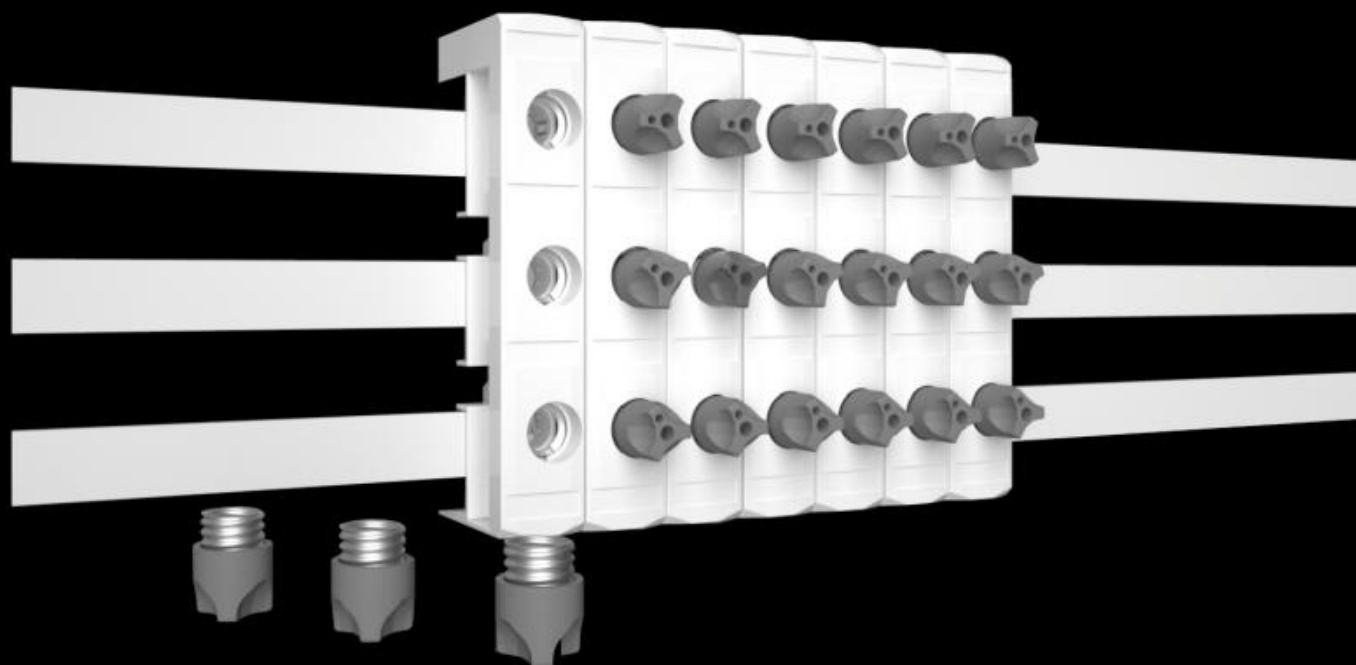


Unique cooling window design ensure better electric performance.

Optional DC1500V fuse

Bus-Mounting Fuse Base

Details please refer to page152



Match with D Type Fuse

With T2 copper flame
retardant V0

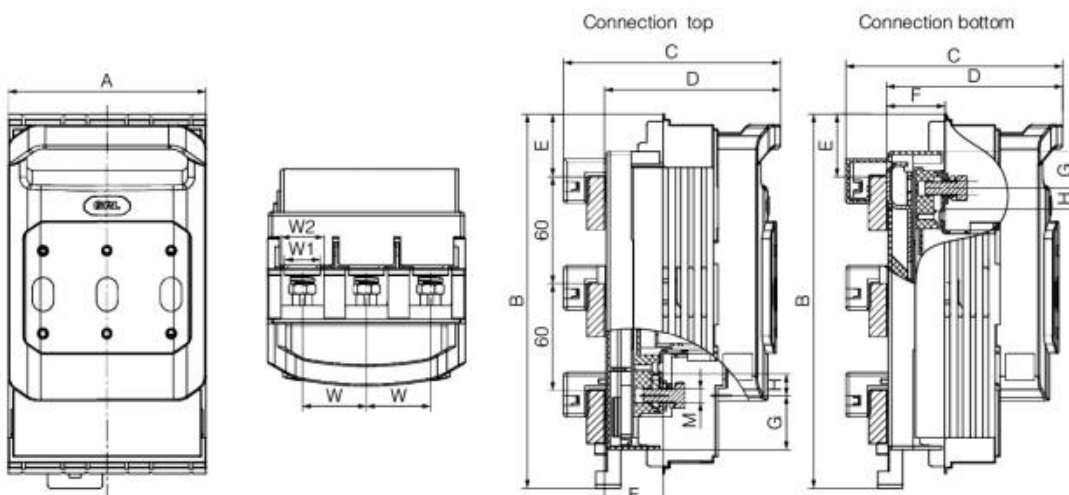
DNH1 Fuse Switch Disconnecter

Selection Help.

Structure description	Match fuse size	Mounting method	Product model	Item No.
Top connection to system	00	Busbar type	DNH1-160/31G	DN31021
Conenction top with 1NO+1NC auxiliary contactor	00	Busbar type	DNH1-160/31G	DN31031
Connection bottom	00	Busbar type	DNH1-160/31G	DN31041
Connection bottom with 1NO+1NC auxiliary contactor	00	Busbar type	DNH1-160/31G	DN31051

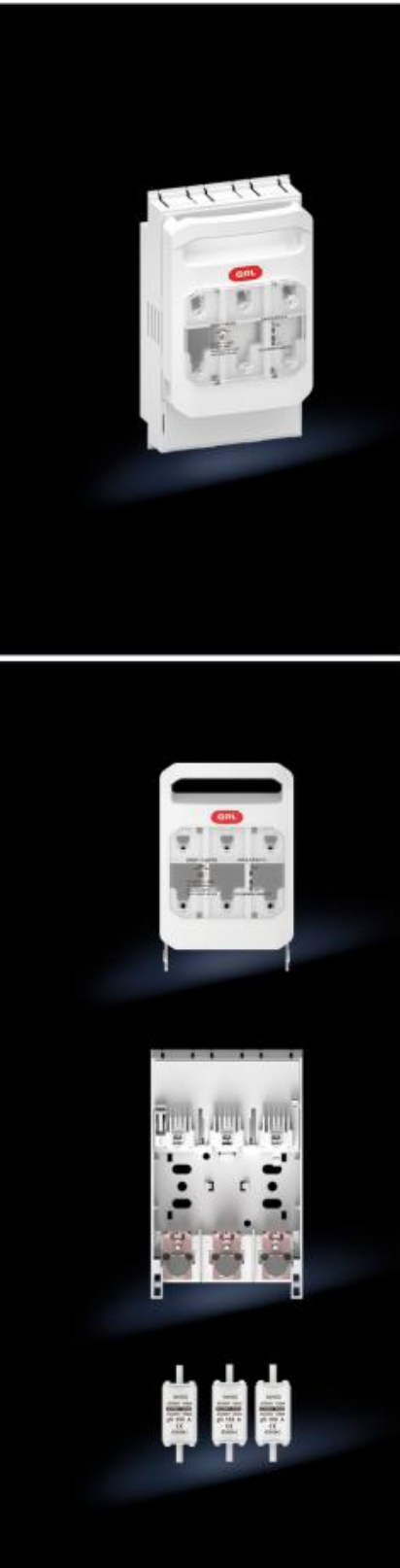
Parameter Description

With fuse	Rated voltage	Ue	V	AC380	AC660
	Rated current	le	A	160	100
	Conventional thermal current	Ith	A	160	100
	Rated short-time withstand current		kA	100	50
	Rated insulation voltage	Ui	V	800	
	Rated impulse withstand voltage	Uimp	kV	8	
	Utilization category			AC-23B	
				AC-22B	
			AC-21B		
			AC-20B		
Electric endurance times		Times	200		



A	B	C	D	E	F	G	H	M	W	W1	W2
111	210	122	99	35	33	30	12	M8	36	20	24
						21					

DNH1 Fuse Switch Disconnecter

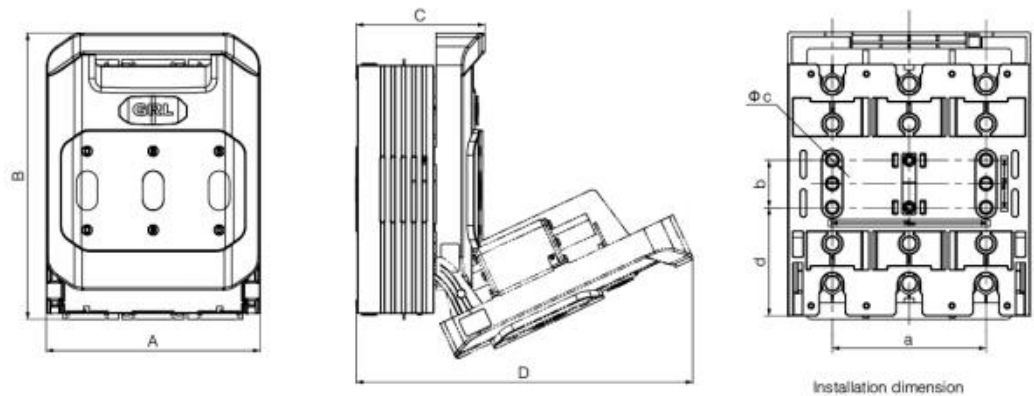


Selection Help.

Structure description	Match fuse size	Mounting method	Product model	Item No.
Normal type	00	Fixed type	DNH1-160/30G	DN31001
With 1NO+1NC auxiliary contactor	00	Fixed type	DNH1-160/30G	DN31011

Parameter Description

With fuse	Rated voltage	Ue	V	AC380	AC660
	Rated current	Ie	A	160	100
	Conventional thermal current	Ith	A	160	100
	Rated short-time withstand current		kA	100	50
	Rated insulation voltage	Ui	V	800	
	Rated impulse withstand voltage	Uimp	kV	8	
	Utilization category			AC-23B	
				AC-22B	
				AC-21B	
			AC-20B		
Electric endurance times		Times	200		



Dimension												
A	B	C	D	E	F	G	H	M	a	b	Φc	d
111	202	83	205	116	24	17	36	M8	66	25	Φ7	70

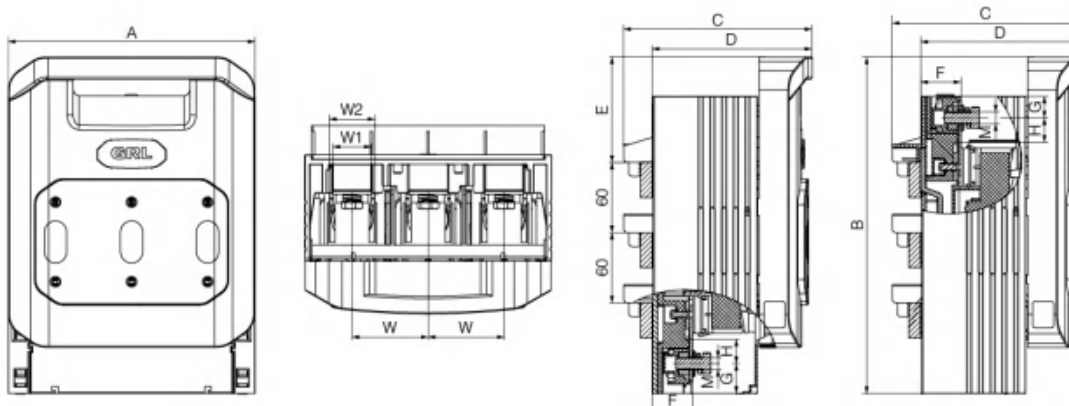
DNH1 Fuse Switch Disconnecter

Selection Help.

Structure description	Match fuse size	Mounting method	Product model	Item No.
Top connection to system	1	Busbar type	DNH1-250/31G	DN31131
Conenction top with 1NO+1NC auxiliary contactor	1	Busbar type	DNH1-250/31G	DN31141
Conenction top with 2 (1NO+1NC auxiliary contactor)	1	Busbar type	DNH1-250/31G	DN31151
Connection bottom	1	Busbar type	DNH1-250/31G	DN31161
Connection bottom with 1NO+1NC auxiliary contactor	1	Busbar type	DNH1-250/31G	DN31171
Connection bottom with 2 (1NO+1NC auxiliary contactor)	1	Busbar type	DNH1-250/31G	DN31181

Parameter Description

With fuse	Rated voltage	Ue	V	AC380	AC660
	Rated current	le	A	250	200
	Conventional thermal current	Ith	A	250	200
	Rated short-time withstand current		kA	100	50
	Rated insulation voltage	Ui	V	800	
	Rated impulse withstand voltage	Uimp	kV	8	
	Utilization category			AC-23B	
				AC-22B	
				AC-21B	
			AC-20B		
Electric endurance times		Times	200		



A	B	C	D	E	F	G	H	M	W	W1	W2
185	241	145	120	68	32.5	14.5	16	M10	57	30	40

DNH1 Fuse Switch Disconnecter

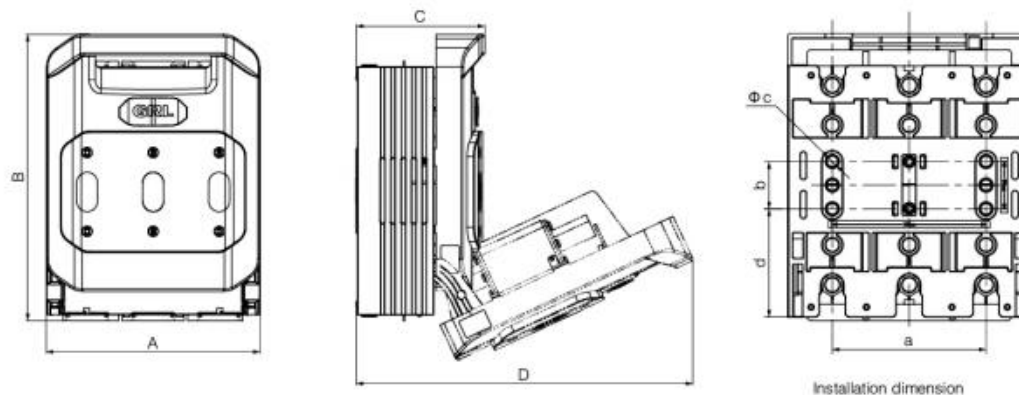


Selection Help.

Structure description	Match fuse size	Mounting method	Product model	Item No.
Normal type	1	Fixed type	DNH1-250/30G	DN31101
With 1NO+1NC auxiliary contactor	1	Fixed type	DNH1-250/30G	DN31111
With 2 (1NO+1NC auxiliary contactor)	1	Fixed type	DNH1-250/30G	DN31121

Parameter Description

With fuse	Rated voltage	Ue	V	AC380	AC660
	Rated current	Ie	A	250	200
	Conventional thermal current	Ith	A	250	200
	Rated short-time withstand current		kA	100	50
	Rated insulation voltage	Ui	V	800	
	Rated impulse withstand voltage	Uimp	kV	8	
	Utilization category			AC-23B	
				AC-22B	
			AC-21B		
			AC-20B		
Electric endurance times		Times	200		



Overall Dimension (mm)									Installation Dimension (mm)			
A	B	C	D	E	F	G	H	M	a	b	Φc	d
185	247	110	295	185	14.5	22.5	57	M10	114	50	Φ11	82

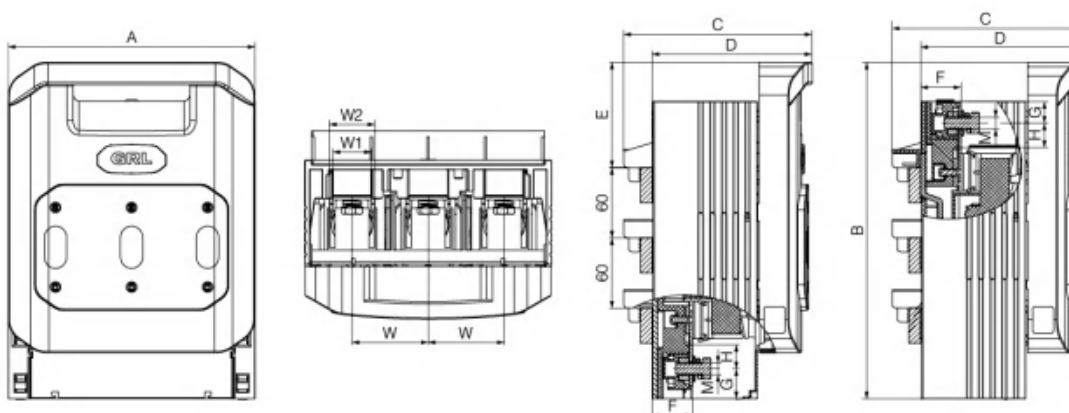
DNH1 Fuse Switch Disconnecter

Selection Help.

Structure description	Match fuse size	Mounting method	Product model	Item No.
Top connection to system	2	Busbar type	DNH1-400/31G	DN31231
Conenction top with 1NO+1NC auxiliary contactor	2	Busbar type	DNH1-400/31G	DN31241
Conenction top with 2 (1NO+1NC auxiliary contactor)	2	Busbar type	DNH1-400/31G	DN31251
Connection bottom	2	Busbar type	DNH1-400/31G	DN31261
Connection bottom with 1NO+1NC auxiliary contactor	2	Busbar type	DNH1-400/31G	DN31271
Connection bottom with 2 (1NO+1NC auxiliary contactor)	2	Busbar type	DNH1-400/31G	DN31281

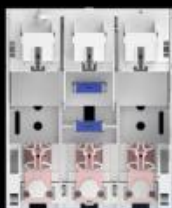
Parameter Description

With fuse	Rated voltage	Ue	V	AC380	
	Rated current	Ie	A	400	
	Conventional thermal current	Ith	A	400	
	Rated short-time withstand current		kA	50	
	Rated insulation voltage	Ui	V	690	
	Rated impulse withstand voltage	Uimp	kV	12	
	Utilization category				AC-23B
					AC-22B
				AC-21B	
				AC-20B	
Electric endurance times		Times	200		



A	B	C	D	E	F	G	H	M	W	W1	W2
211	288	161	137	73	34.5	25.5 18.5	19	M10	65	33	50

DNH1 Fuse Switch Disconnecter

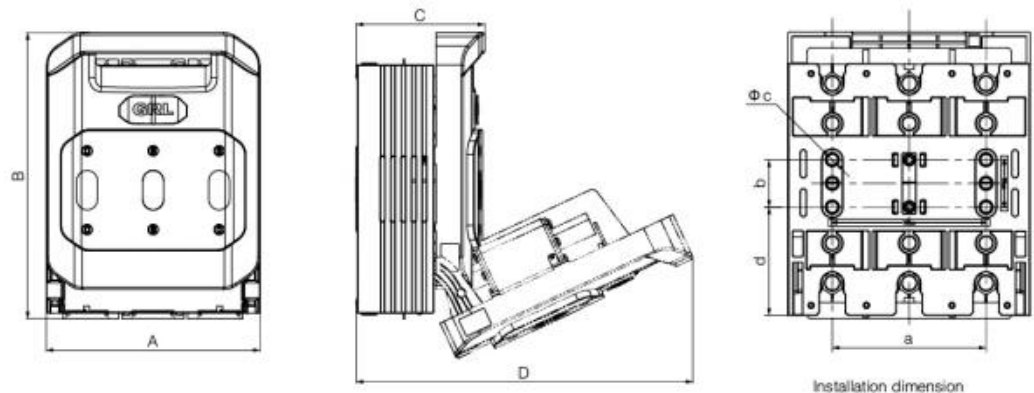


Selection Help.

Structure description	Match fuse size	Mounting method	Product model	Item No.
Without auxiliary contact	2	Fixed type	DNH1-400/30G	DN31201
With 1NO+1NC auxiliary contactor	2	Fixed type	DNH1-400/30G	DN31211
With 2 (1NO+1NC auxiliary contactor)	2	Fixed type	DNH1-400/30G	DN31221

Parameter Description

With fuse	Rated voltage	Ue	V	AC380	
	Rated current	Ie	A	400	
	Conventional thermal current	Ith	A	400	
	Rated short-time withstand current		kA	50	
	Rated insulation voltage	Ui	V	690	
	Rated impulse withstand voltage	Uimp	kV	12	
	Utilization category				AC-23B
					AC-22B
					AC-21B
					AC-20B
Electric endurance times		Times	200		



Overall Dimension (mm)									Installation Dimension (mm)			
A	B	C	D	E	F	G	H	M	a	b	Φc	d
211	290	125	340	210	25.5	26	65	M10	130	50	Φ11	105.5

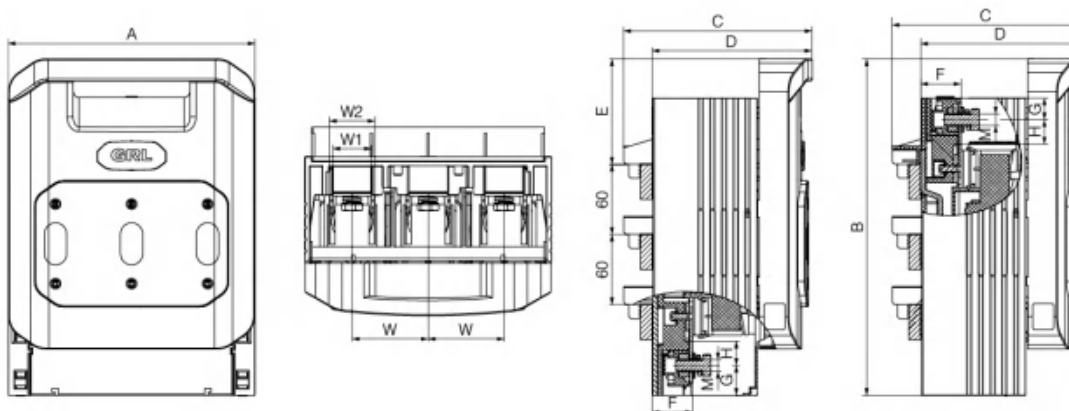
DNH1 Fuse Switch Disconnecter

Selection Help.

Structure description	Match fuse size	Mounting method	Product model	Item No.
Top connection to system	3	Busbar type	DNH1-630/31G	DN31331
Conenction top with 1NO+1NC auxiliary contactor	3	Busbar type	DNH1-630/31G	DN31341
Conenction top with 2 (1NO+1NC auxiliary contactor)	3	Busbar type	DNH1-630/31G	DN31351
Connection bottom	3	Busbar type	DNH1-630/31G	DN31361
Connection bottom with 1NO+1NC auxiliary contactor	3	Busbar type	DNH1-630/31G	DN31371
Connection bottom with 2 (1NO+1NC auxiliary contactor)	3	Busbar type	DNH1-630/31G	DN31381

Parameter Description

With fuse	Rated voltage	Ue	V	AC380	
	Rated current	Ie	A	630	
	Conventional thermal current	Ith	A	630	
	Rated short-time withstand current		kA	50	
	Rated insulation voltage	Ui	V	690	
	Rated impulse withstand voltage	Uimp	kV	12	
	Utilization category				AC-23B
					AC-22B
				AC-21B	
				AC-20B	
Electric endurance times		Times	200		



A	B	C	D	E	F	G	H	M	W	W1	W2
256	313	178	154	90	41.5	37.5	21	M12	81	45	59

DNH1 Fuse Switch Disconnecter

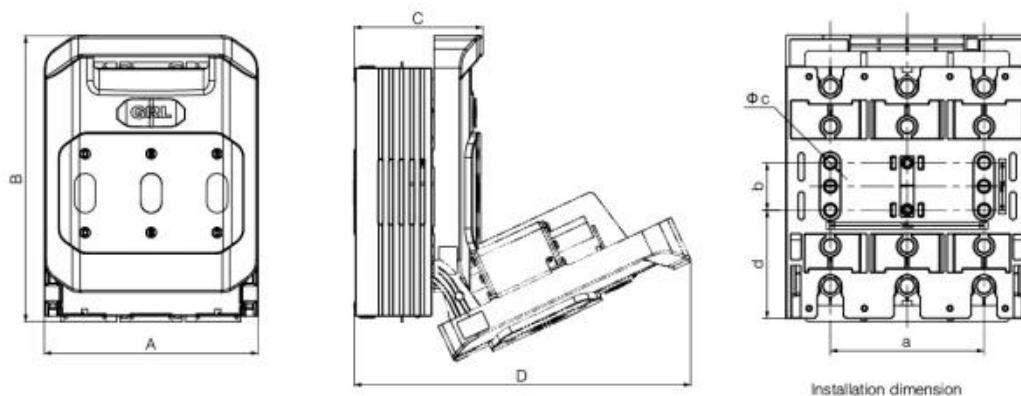


Selection Help.

Structure description	Match fuse size	Mounting method	Product model	Item No.
Without auxiliary contact	3	Fixed type	DNH1-630/30G	DN31301
With 1NO+1NC auxiliary contactor	3	Fixed type	DNH1-630/30G	DN31311
With 2 (1NO+1NC auxiliary contactor)	3	Fixed type	DNH1-630/30G	DN31321

Parameter Description

With fuse	Rated voltage	Ue	V	AC380	
	Rated current	Ie	A	630	
	Conventional thermal current	Ith	A	630	
	Rated short-time withstand current		kA	50	
	Rated insulation voltage	Ui	V	690	
	Rated impulse withstand voltage	Uimp	kV	12	
	Utilization category				AC-23B
					AC-22B
					AC-21B
				AC-20B	
Electric endurance times		Times	200		



Overall Dimension (mm)									Installation Dimension (mm)			
A	B	C	D	E	F	G	H	M	a	b	Φc	d
256	300	145	360	210	34	30	81	M12	162	50	Φ11	114

Accessories



Terminal type	Torque N*m	Cable square mm ²	Optional switch type
M8 bolt (with cable lug)	12-15	16-70	DNH1-160
M10 bolt (with cable lug)	30-35	25-150	DNH1-250 ~ 400
M12 bolt (with cable lug)	35-40	25-240	DNH1-630
DN54224	3	16-70 s(r) 16-70 s(s) 16-70 f+AE	DNH1-160
DN54207	6	75-150 s(r) 75-150 s(s) 75-150 f,f+AE	DNH1-250
DN54208	8	50-240 s(r) 50-240 s(s) 50-240 f,f+AE	DNH1-400 ~ 630
DN54209	8	150-300 s(r) 150-300 s(s) 150-300 f,f+AE	DNH1-630

DNH18 Fuse Switch Disconnecter

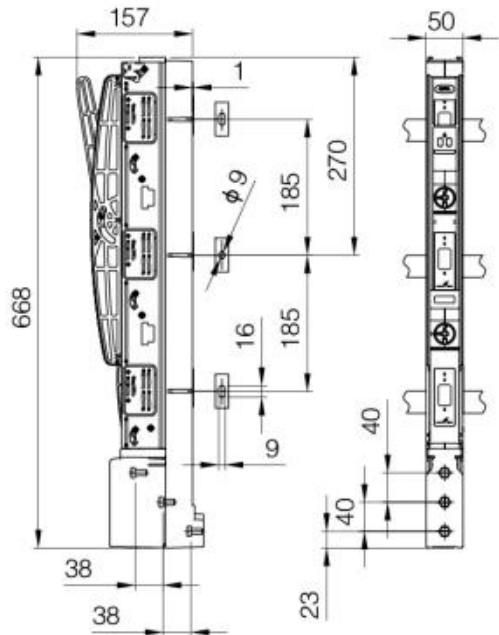
Electrical Parameters

				DNH18-160		
With fuse	Rated voltage	Ue	V	AC400	AC500	AC690
	Rated current	Ie	A	160	125	100
	Conventional thermal current	Ith	A	160	125	100
	Utilization category			AC-23B	AC-23B	AC-22B
	Rated short-time withstand current	Iq	kA	50		
	Rated insulation voltage	Ui	V	1000		
	Rated impulse withstand voltage	Uimp	kV	8		
	Rated frequency		Hz	50/60		
	Electric endurance times		Times	200		

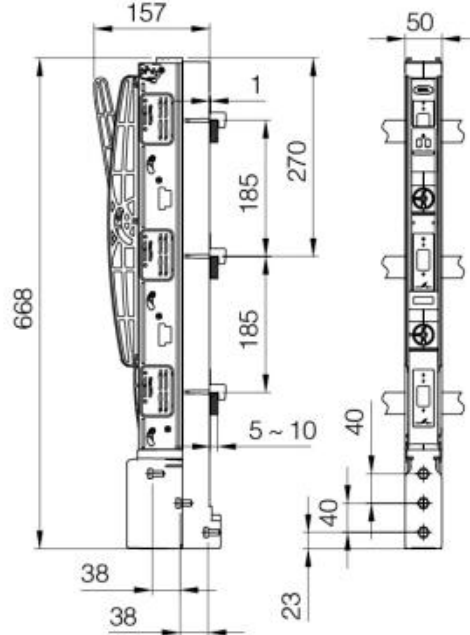
Item No.	Current	Mounting type	Operation type	Connection terminal	Remark	Model code	Item No.
1	160A	Fixed type	Three-phase synchronous operation	M8 bolt	/	DNH18-160/30	DN32001
2	160A	Fixed type	Three-phase synchronous operation	M8 bolt	With auxiliary	DNH18-160/30	DN32002
3	160A	Fixed type	Three-phase synchronous operation	DN54224	/	DNH18-160/30	DN32005
4	160A	Fixed type	Three phase separate operation	M8 bolt	/	DNH18-160/30	DN32030
5	160A	Fixed type	Three phase separate operation	M8 bolt	With auxiliary	DNH18-160/30	DN32031
6	160A	Fixed type	Three phase separate operation	DN54224	/	DNH18-160/30	DN32034
1	160A	Busbar type	Three-phase synchronous operation	M8 bolt	/	DNH18-160/31	DN32003
2	160A	Busbar type	Three-phase synchronous operation	M8 bolt	With auxiliary	DNH18-160/31	DN32004
3	160A	Busbar type	Three-phase synchronous operation	DN54224	/	DNH18-160/31	DN32006
4	160A	Busbar type	Three phase separate operation	M8 bolt	/	DNH18-160/31	DN32032
5	160A	Busbar type	Three phase separate operation	M8 bolt	With auxiliary	DNH18-160/31	DN32033
6	160A	Busbar type	Three phase separate operation	DN54224	/	DNH18-160/31	DN32035

Overall Dimension Drawing

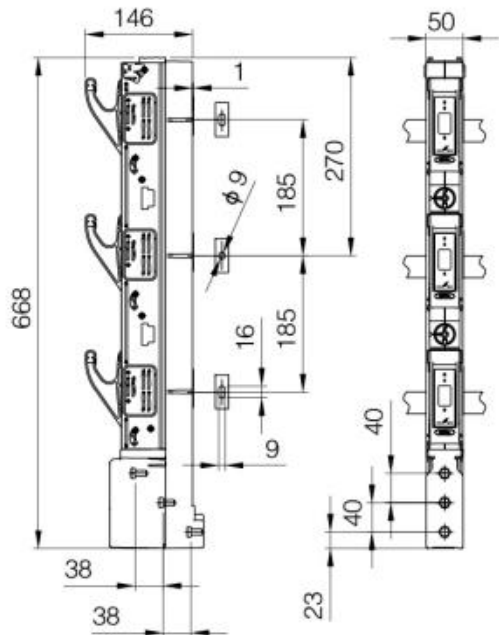
3L Fixed type installation dimension drawing



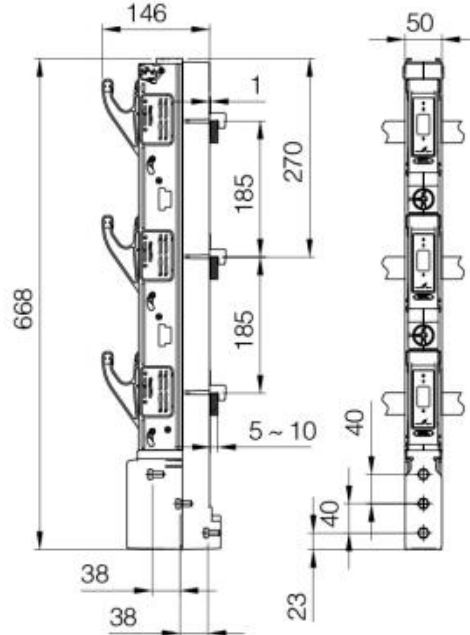
3L Busbar type installation dimension drawing



3S Fixed type installation dimension drawing



3S Busbar type installation dimension drawing



DNH18 Fuse Switch Disconnecter

Electrical Parameters

				DNH18-250			DNH18-400			DNH18-630		
With fuse	Rated voltage	Ue	V	AC400	AC500	AC690	AC400	AC500	AC690	AC400	AC500	AC690
	Rated current	Ie	A	250	250	200	400	400	315	630	630	630
	Conventional thermal current	Ith	A	250	250	200	400	400	315	630	630	630
	Utilization category			AC-23B	AC-22B	AC-21B	AC-23B	AC-22B	AC-21B	AC-23B	AC-22B	AC-21B
	Rated short-time withstand current	Iq	kA	100	100	50	100	100	50	100	100	50
	Rated insulation voltage	Ui	V	1000			1000			1000		
	Rated impulse withstand voltage	Uimp	kV	12			12			12		
	Rated frequency		Hz	50/60			50/60			50/60		
	Electric endurance times		Times	200			200			200		

Current	Mounting type	Operation type	Connection terminal	Remark	Model code	Item No.
250A	Fixed type	Three-phase synchronous operation	M10 bolt	Without accessories	DNH18-250/30	DN32060
250A	Fixed type	Three-phase synchronous operation	M10 bolt	With auxiliary	DNH18-250/30	DN32061
250A	Busbar type	Three-phase synchronous operation	M10 bolt	Without accessories	DNH18-250/31	DN32062
250A	Busbar type	Three-phase synchronous operation	M10 bolt	With auxiliary	DNH18-250/31	DN32063
250A	Fixed type	Three-phase synchronous operation	V clamp DN54275	Without accessories	DNH18-250/30	DN32064
250A	Busbar type	Three-phase synchronous operation	V clamp DN54275	Without accessories	DNH18-250/31	DN32065
250A	Fixed type	Three-phase synchronous operation	M10 bolt	With fuse monitor (bypass)	DNH18-250/30	DN32066
250A	Busbar type	Three-phase synchronous operation	M10 bolt	With fuse monitor (bypass)	DNH18-250/31	DN32067
250A	Fixed type	Three-phase synchronous operation	V clamp DN54275	With fuse monitor (bypass)	DNH18-250/30	DN32068
250A	Busbar type	Three-phase synchronous operation	V clamp DN54275	With fuse monitor (bypass)	DNH18-250/31	DN32069
250A	Fixed type	Three-phase synchronous operation	M10 bolt	With CT(main circuit)	DNH18-250/30	DN32070
250A	Busbar type	Three-phase synchronous operation	M10 bolt	With CT(main circuit)	DNH18-250/31	DN32071
250A	Fixed type	Three-phase synchronous operation	V clamp DN54275	With CT(bypass)	DNH18-250/30	DN32072
250A	Busbar type	Three-phase synchronous operation	V clamp DN54275	With CT(bypass)	DNH18-250/31	DN32073
250A	Fixed type	Three-phase synchronous operation	M10 bolt	Without accessories	DNH18-250/30	DN32074
250A	Fixed type	Three-phase synchronous operation	M10 bolt	With auxiliary	DNH18-250/30	DN32075
250A	Busbar type	Three-phase synchronous operation	M10 bolt	Without accessories	DNH18-250/31	DN32076
250A	Busbar type	Three-phase synchronous operation	M10 bolt	With auxiliary	DNH18-250/31	DN32077
250A	Fixed type	Three phase separate operation	M10 bolt	Without accessories	DNH18-250/30	DN32130
250A	Fixed type	Three phase separate operation	M10 bolt	With auxiliary	DNH18-250/30	DN32131
250A	Busbar type	Three phase separate operation	M10 bolt	Without accessories	DNH18-250/31	DN32132
250A	Busbar type	Three phase separate operation	M10 bolt	With auxiliary	DNH18-250/31	DN32133
250A	Fixed type	Three phase separate operation	V clamp DN54275	Without accessories	DNH18-250/30	DN32134
250A	Busbar type	Three phase separate operation	V clamp DN54275	Without accessories	DNH18-250/31	DN32135

DNH18 Fuse Switch Disconnecter



Current	Mounting type	Operation type	Connection terminal	Remark	Model code	Item No.
250A	Fixed type	Three phase separate operation	M10 bolt	With fuse monitor (bypass)	DNH18-250/30	DN32136
250A	Busbar type	Three phase separate operation	M10 bolt	With fuse monitor (bypass)	DNH18-250/31	DN32137
250A	Fixed type	Three phase separate operation	V clamp DN54275	With fuse monitor (bypass)	DNH18-250/30	DN32138
250A	Busbar type	Three phase separate operation	V clamp DN54275	With fuse monitor (bypass)	DNH18-250/31	DN32139
250A	Fixed type	Three phase separate operation	M10 bolt	With CT(main circuit)	DNH18-250/30	DN32140
250A	Busbar type	Three phase separate operation	M10 bolt	With CT(main circuit)	DNH18-250/31	DN32141
250A	Fixed type	Three phase separate operation	V clamp DN54275	With CT(bypass)	DNH18-250/30	DN32142
250A	Busbar type	Three phase separate operation	V clamp DN54275	With CT(bypass)	DNH18-250/31	DN32143
250A	Fixed type	Three phase separate operation	M10 bolt	Without accessories	DNH18-250/30	DN32144
250A	Fixed type	Three phase separate operation	M10 bolt	With auxiliary	DNH18-250/30	DN32145
250A	Busbar type	Three phase separate operation	M10 bolt	Without accessories	DNH18-250/31	DN32146
250A	Busbar type	Three phase separate operation	M10 bolt	With auxiliary	DNH18-250/31	DN32147
250A	Fixed type	Three phase separate operation	M10 bolt	Without accessories	DNH18-250/30	DN32200
250A	Fixed type	Three phase separate operation	M10 bolt	With auxiliary	DNH18-250/30	DN32201
250A	Busbar type	Three phase separate operation	M10 bolt	Without accessories	DNH18-250/31	DN32202
250A	Busbar type	Three phase separate operation	M10 bolt	With auxiliary	DNH18-250/31	DN32203
250A	Fixed type	Three phase separate operation	V clamp DN54275	Without accessories	DNH18-250/30	DN32204
250A	Busbar type	Three phase separate operation	V clamp DN54275	Without accessories	DNH18-250/31	DN32205
250A	Fixed type	Three phase separate operation	M10 bolt	With fuse monitor (bypass)	DNH18-250/30	DN32206
250A	Busbar type	Three phase separate operation	M10 bolt	With fuse monitor (bypass)	DNH18-250/31	DN32207
250A	Fixed type	Three phase separate operation	V clamp DN54275	With fuse monitor (bypass)	DNH18-250/30	DN32208
250A	Busbar type	Three phase separate operation	V clamp DN54275	With fuse monitor (bypass)	DNH18-250/31	DN32209
250A	Fixed type	Three phase separate operation	M10 bolt	With CT(main circuit)	DNH18-250/30	DN32210
250A	Busbar type	Three phase separate operation	M10 bolt	With CT(main circuit)	DNH18-250/31	DN32211
250A	Fixed type	Three phase separate operation	V clamp DN54275	With CT(bypass)	DNH18-250/30	DN32212
250A	Busbar type	Three phase separate operation	V clamp DN54275	With CT(bypass)	DNH18-250/31	DN32213
250A	Fixed type	Three phase separate operation	M10 bolt	Without accessories	DNH18-250/30	DN32214
250A	Fixed type	Three phase separate operation	M10 bolt	With auxiliary	DNH18-250/30	DN32215
250A	Busbar type	Three phase separate operation	M10 bolt	Without accessories	DNH18-250/31	DN32216
250A	Busbar type	Three phase separate operation	M10 bolt	With auxiliary	DNH18-250/31	DN32217
400A	Fixed type	Three-phase synchronous operation	M10 bolt	Without accessories	DNH18-400/30	DN32260
400A	Fixed type	Three-phase synchronous operation	M10 bolt	With auxiliary	DNH18-400/30	DN32261
400A	Busbar type	Three-phase synchronous operation	M10 bolt	Without accessories	DNH18-400/31	DN32262
400A	Busbar type	Three-phase synchronous operation	M10 bolt	With auxiliary	DNH18-400/31	DN32263

DNH18 Fuse Switch Disconnecter



Current	Mounting type	Operation type	Connection terminal	Remark	Model code	Item No.
400A	Fixed type	Three-phase synchronous operation	V clamp DN54275	Without accessories	DNH18-400/30	DN32264
400A	Busbar type	Three-phase synchronous operation	V clamp DN54275	Without accessories	DNH18-400/31	DN32265
400A	Fixed type	Three-phase synchronous operation	M10 bolt	With fuse monitor (main circuit)	DNH18-400/30	DN32266
400A	Busbar type	Three-phase synchronous operation	M10 bolt	With fuse monitor (main circuit)	DNH18-400/31	DN32267
400A	Fixed type	Three-phase synchronous operation	V clamp DN54275	With fuse monitor (main circuit)	DNH18-400/30	DN32268
400A	Busbar type	Three-phase synchronous operation	V clamp DN54275	With fuse monitor (main circuit)	DNH18-400/31	DN32269
400A	Fixed type	Three-phase synchronous operation	M10 bolt	With fuse monitor (bypass)	DNH18-400/30	DN32270
400A	Busbar type	Three-phase synchronous operation	M10 bolt	With fuse monitor (bypass)	DNH18-400/31	DN32271
400A	Fixed type	Three-phase synchronous operation	V clamp DN54275	With fuse monitor (bypass)	DNH18-400/30	DN32272
400A	Busbar type	Three-phase synchronous operation	V clamp DN54275	With fuse monitor (bypass)	DNH18-400/31	DN32273
400A	Fixed type	Three-phase synchronous operation	M10 bolt	With CT(main circuit)	DNH18-400/30	DN32274
400A	Busbar type	Three-phase synchronous operation	M10 bolt	With CT(main circuit)	DNH18-400/31	DN32275
400A	Fixed type	Three-phase synchronous operation	V clamp DN54275	With CT(bypass)	DNH18-400/30	DN32276
400A	Busbar type	Three-phase synchronous operation	V clamp DN54275	With CT(bypass)	DNH18-400/31	DN32277
400A	Fixed type	Three-phase synchronous operation	M10 bolt	Without accessories	DNH18-400/30	DN32278
400A	Fixed type	Three-phase synchronous operation	M10 bolt	With auxiliary	DNH18-400/30	DN32279
400A	Busbar type	Three-phase synchronous operation	M10 bolt	Without accessories	DNH18-400/31	DN32280
400A	Busbar type	Three-phase synchronous operation	M10 bolt	With auxiliary	DNH18-400/31	DN32281
400A	Fixed type	Three phase separate operation	M10 bolt	Without accessories	DNH18-400/30	DN32330
400A	Fixed type	Three phase separate operation	M10 bolt	With auxiliary	DNH18-400/30	DN32331
400A	Busbar type	Three phase separate operation	M10 bolt	Without accessories	DNH18-400/31	DN32332
400A	Busbar type	Three phase separate operation	M10 bolt	With auxiliary	DNH18-400/31	DN32333
400A	Fixed type	Three phase separate operation	V clamp DN54275	Without accessories	DNH18-400/30	DN32334
400A	Busbar type	Three phase separate operation	V clamp DN54275	Without accessories	DNH18-400/31	DN32335
400A	Fixed type	Three phase separate operation	M10 bolt	With fuse monitor (main circuit)	DNH18-400/30	DN32336
400A	Busbar type	Three phase separate operation	M10 bolt	With fuse monitor (main circuit)	DNH18-400/31	DN32337
400A	Fixed type	Three phase separate operation	V clamp DN54275	With fuse monitor (main circuit)	DNH18-400/30	DN32338
400A	Busbar type	Three phase separate operation	V clamp DN54275	With fuse monitor (main circuit)	DNH18-400/31	DN32339
400A	Fixed type	Three phase separate operation	M10 bolt	With fuse monitor (bypass)	DNH18-400/30	DN32340
400A	Busbar type	Three phase separate operation	M10 bolt	With fuse monitor (bypass)	DNH18-400/31	DN32341
400A	Fixed type	Three phase separate operation	V clamp DN54275	With fuse monitor (bypass)	DNH18-400/30	DN32342
400A	Busbar type	Three phase separate operation	V clamp DN54275	With fuse monitor (bypass)	DNH18-400/31	DN32343
400A	Fixed type	Three phase separate operation	M10 bolt	With CT(main circuit)	DNH18-400/30	DN32344
400A	Busbar type	Three phase separate operation	M10 bolt	With CT(main circuit)	DNH18-400/31	DN32345

DNH18 Fuse Switch Disconnecter



Current	Mounting type	Operation type	Connection terminal	Remark	Model code	Item No.
400A	Fixed type	Three phase separate operation	V clamp DN54275	With CT(bypass)	DNH18-400/30	DN32346
400A	Busbar type	Three phase separate operation	V clamp DN54275	With CT(bypass)	DNH18-400/31	DN32347
400A	Fixed type	Three phase separate operation	M10 bolt	Without accessories	DNH18-400/30	DN32348
400A	Fixed type	Three phase separate operation	M10 bolt	With auxiliary	DNH18-400/30	DN32349
400A	Busbar type	Three phase separate operation	M10 bolt	Without accessories	DNH18-400/31	DN32350
400A	Busbar type	Three phase separate operation	M10 bolt	With auxiliary	DNH18-400/31	DN32351
400A	Fixed type	Three phase separate operation	M10 bolt	Without accessories	DNH18-400/30	DN32400
400A	Fixed type	Three phase separate operation	M10 bolt	With auxiliary	DNH18-400/30	DN32401
400A	Busbar type	Three phase separate operation	M10 bolt	Without accessories	DNH18-400/31	DN32402
400A	Busbar type	Three phase separate operation	M10 bolt	With auxiliary	DNH18-400/31	DN32403
400A	Fixed type	Three phase separate operation	V clamp DN54275	Without accessories	DNH18-400/30	DN32404
400A	Busbar type	Three phase separate operation	V clamp DN54275	Without accessories	DNH18-400/31	DN32405
400A	Fixed type	Three phase separate operation	M10 bolt	With fuse monitor (main circuit)	DNH18-400/30	DN32406
400A	Busbar type	Three phase separate operation	M10 bolt	With fuse monitor (main circuit)	DNH18-400/31	DN32407
400A	Fixed type	Three phase separate operation	V clamp DN54275	With fuse monitor (main circuit)	DNH18-400/30	DN32408
400A	Busbar type	Three phase separate operation	V clamp DN54275	With fuse monitor (main circuit)	DNH18-400/31	DN32409
400A	Fixed type	Three phase separate operation	M10 bolt	With fuse monitor (bypass)	DNH18-400/30	DN32410
400A	Busbar type	Three phase separate operation	M10 bolt	With fuse monitor (bypass)	DNH18-400/31	DN32411
400A	Fixed type	Three phase separate operation	V clamp DN54275	With fuse monitor (bypass)	DNH18-400/30	DN32412
400A	Busbar type	Three phase separate operation	V clamp DN54275	With fuse monitor (bypass)	DNH18-400/31	DN32413
400A	Fixed type	Three phase separate operation	M10 bolt	With CT(main circuit)	DNH18-400/30	DN32414
400A	Busbar type	Three phase separate operation	M10 bolt	With CT(main circuit)	DNH18-400/31	DN32415
400A	Fixed type	Three phase separate operation	V clamp DN54275	With CT(bypass)	DNH18-400/30	DN32416
400A	Busbar type	Three phase separate operation	V clamp DN54275	With CT(bypass)	DNH18-400/31	DN32417
400A	Fixed type	Three phase separate operation	M10 bolt	Without accessories	DNH18-400/30	DN32418
400A	Fixed type	Three phase separate operation	M10 bolt	With auxiliary	DNH18-400/30	DN32419
400A	Busbar type	Three phase separate operation	M10 bolt	Without accessories	DNH18-400/31	DN32420
400A	Busbar type	Three phase separate operation	M10 bolt	With auxiliary	DNH18-400/31	DN32421
630A	Fixed type	Three-phase synchronous operation	M12 bolt	Without accessories	DNH18-630/30	DN32470
630A	Fixed type	Three-phase synchronous operation	M12 bolt	With auxiliary	DNH18-630/30	DN32471
630A	Busbar type	Three-phase synchronous operation	M12 bolt	Without accessories	DNH18-630/31	DN32472
630A	Busbar type	Three-phase synchronous operation	M12 bolt	With auxiliary	DNH18-630/31	DN32473
630A	Fixed type	Three-phase synchronous operation	V clamp DN54275	Without accessories	DNH18-630/30	DN32474

DNH18 Fuse Switch Disconnecter



Current	Mounting type	Operation type	Connection terminal	Remark	Model code	Item No.
630A	Bus-bar type	Three-phase synchronous operation	V clamp DN54275	Without anyother accessories	DNH18-630/31	DN32475
630A	Fixed type	Three-phase synchronous operation	Double core DN54276	Without anyother accessories	DNH18-630/30	DN32476
630A	Bus-bar type	Three-phase synchronous operation	Double core DN54276	Without anyother accessories	DNH18-630/31	DN32477
630A	Fixed type	Three-phase synchronous operation	M12 bolt	With fuse monitor (main circuit)	DNH18-630/30	DN32478
630A	Bus-bar type	Three-phase synchronous operation	M12 bolt	With fuse monitor (main circuit)	DNH18-630/31	DN32479
630A	Fixed type	Three-phase synchronous operation	V clamp DN54275	With fuse monitor (main circuit)	DNH18-630/30	DN32480
630A	Bus-bar type	Three-phase synchronous operation	V clamp DN54275	With fuse monitor (main circuit)	DNH18-630/31	DN32481
630A	Fixed type	Three-phase synchronous operation	M12 bolt	With fuse monitor (bypass)	DNH18-630/30	DN32482
630A	Bus-bar type	Three-phase synchronous operation	M12 bolt	With fuse monitor (bypass)	DNH18-630/31	DN32483
630A	Fixed type	Three-phase synchronous operation	V clamp DN54275	With fuse monitor (bypass)	DNH18-630/30	DN32484
630A	Bus-bar type	Three-phase synchronous operation	V clamp DN54275	With fuse monitor (bypass)	DNH18-630/31	DN32485
630A	Fixed type	Three-phase synchronous operation	M12 bolt	With CT(main circuit)	DNH18-630/30	DN32486
630A	Bus-bar type	Three-phase synchronous operation	M12 bolt	With CT(main circuit)	DNH18-630/31	DN32487
630A	Fixed type	Three-phase synchronous operation	V clamp DN54275	With CT(bypass)	DNH18-630/30	DN32488
630A	Bus-bar type	Three-phase synchronous operation	V clamp DN54275	With CT(bypass)	DNH18-630/31	DN32489
630A	Fixed type	Three-phase synchronous operation	M12 bolt	Without anyother accessories	DNH18-630/30	DN32490
630A	Fixed type	Three-phase synchronous operation	M12 bolt	With auxiliary	DNH18-630/30	DN32491
630A	Bus-bar type	Three-phase synchronous operation	M12 bolt	Without anyother accessories	DNH18-630/31	DN32492
630A	Bus-bar type	Three-phase synchronous operation	M12 bolt	With auxiliary	DNH18-630/31	DN32493
630A	Fixed type	Three-phase single operation	M12 bolt	Without anyother accessories	DNH18-630/30	DN32550
630A	Fixed type	Three-phase single operation	M12 bolt	With auxiliary	DNH18-630/30	DN32551
630A	Bus-bar type	Three-phase single operation	M12 bolt	Without anyother accessories	DNH18-630/31	DN32552
630A	Bus-bar type	Three-phase single operation	M12 bolt	With auxiliary	DNH18-630/31	DN32553
630A	Fixed type	Three-phase single operation	V clamp DN54275	Without anyother accessories	DNH18-630/30	DN32554
630A	Bus-bar type	Three-phase single operation	V clamp DN54275	Without anyother accessories	DNH18-630/31	DN32555
630A	Fixed type	Three-phase single operation	Double core DN54276	Without anyother accessories	DNH18-630/30	DN32556
630A	Bus-bar type	Three-phase single operation	Double core DN54276	Without anyother accessories	DNH18-630/31	DN32557
630A	Fixed type	Three-phase single operation	M12 bolt	With fuse monitor (main circuit)	DNH18-630/30	DN32558
630A	Bus-bar type	Three-phase single operation	M12 bolt	With fuse monitor (main circuit)	DNH18-630/31	DN32559
630A	Fixed type	Three-phase single operation	V clamp DN54275	With fuse monitor (main circuit)	DNH18-630/30	DN32560
630A	Bus-bar type	Three-phase single operation	V clamp DN54275	With fuse monitor (main circuit)	DNH18-630/31	DN32561
630A	Fixed type	Three-phase single operation	M12 bolt	With fuse monitor (bypass)	DNH18-630/30	DN32562
630A	Bus-bar type	Three-phase single operation	M12 bolt	With fuse monitor (bypass)	DNH18-630/31	DN32563

DNH18 Fuse Switch Disconnecter

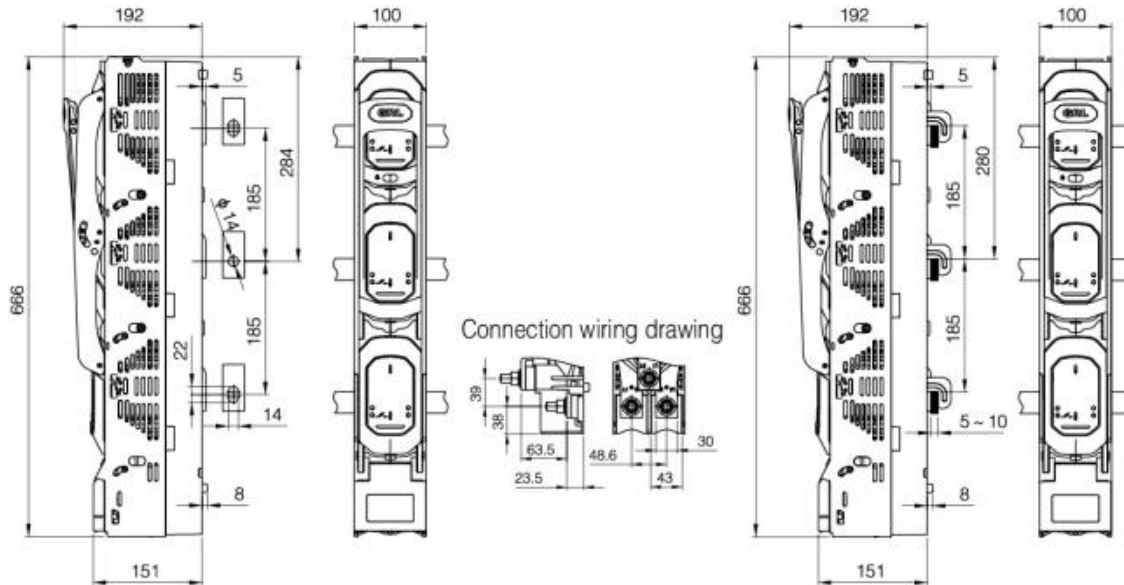


Current	Mounting type	Operation type	Connection terminal	Remark	Model code	Item No.
630A	Fixed type	Three phase separate operation	V clamp DN54275	With fuse monitor (bypass)	DNH18-630/30	DN32564
630A	Busbar type	Three phase separate operation	V clamp DN54275	With fuse monitor (bypass)	DNH18-630/31	DN32565
630A	Fixed type	Three phase separate operation	M12 bolt	With CT(main circuit)	DNH18-630/30	DN32566
630A	Busbar type	Three phase separate operation	M12 bolt	With CT(main circuit)	DNH18-630/31	DN32567
630A	Fixed type	Three phase separate operation	V clamp DN54275	With CT(bypass)	DNH18-630/30	DN32568
630A	Busbar type	Three phase separate operation	V clamp DN54275	With CT(bypass)	DNH18-630/31	DN32569
630A	Fixed type	Three phase separate operation	M12 bolt	Without accessories	DNH18-630/30	DN32570
630A	Fixed type	Three phase separate operation	M12 bolt	With auxiliary	DNH18-630/30	DN32571
630A	Busbar type	Three phase separate operation	M12 bolt	Without accessories	DNH18-630/31	DN32572
630A	Busbar type	Three phase separate operation	M12 bolt	With auxiliary	DNH18-630/31	DN32573
630A	Fixed type	Three phase separate operation	M12 bolt	Without accessories	DNH18-630/30	DN32620
630A	Fixed type	Three phase separate operation	M12 bolt	With auxiliary	DNH18-630/30	DN32621
630A	Busbar type	Three phase separate operation	M12 bolt	Without accessories	DNH18-630/31	DN32622
630A	Busbar type	Three phase separate operation	M12 bolt	With auxiliary	DNH18-630/31	DN32623
630A	Fixed type	Three phase separate operation	V clamp DN54275	Without accessories	DNH18-630/30	DN32624
630A	Busbar type	Three phase separate operation	V clamp DN54275	Without accessories	DNH18-630/31	DN32625
630A	Fixed type	Three phase separate operation	双芯 DN54276	Without accessories	DNH18-630/30	DN32626
630A	Busbar type	Three phase separate operation	双芯 DN54276	Without accessories	DNH18-630/31	DN32627
630A	Fixed type	Three phase separate operation	M12 bolt	With fuse monitor (main circuit)	DNH18-630/30	DN32628
630A	Busbar type	Three phase separate operation	M12 bolt	With fuse monitor (main circuit)	DNH18-630/31	DN32629
630A	Fixed type	Three phase separate operation	V clamp DN54275	With fuse monitor (main circuit)	DNH18-630/30	DN32630
630A	Busbar type	Three phase separate operation	V clamp DN54275	With fuse monitor (main circuit)	DNH18-630/31	DN32631
630A	Fixed type	Three phase separate operation	M12 bolt	With fuse monitor (bypass)	DNH18-630/30	DN32632
630A	Busbar type	Three phase separate operation	M12 bolt	With fuse monitor (bypass)	DNH18-630/31	DN32633
630A	Fixed type	Three phase separate operation	V clamp DN54275	With fuse monitor (bypass)	DNH18-630/30	DN32634
630A	Busbar type	Three phase separate operation	V clamp DN54275	With fuse monitor (bypass)	DNH18-630/31	DN32635
630A	Fixed type	Three phase separate operation	M12 bolt	With CT(main circuit)	DNH18-630/30	DN32636
630A	Busbar type	Three phase separate operation	M12 bolt	With CT(main circuit)	DNH18-630/31	DN32637
630A	Fixed type	Three phase separate operation	V clamp DN54275	With CT(bypass)	DNH18-630/30	DN32638
630A	Busbar type	Three phase separate operation	V clamp DN54275	With CT(bypass)	DNH18-630/31	DN32639
630A	Fixed type	Three phase separate operation	M12 bolt	Without accessories	DNH18-630/30	DN32640
630A	Fixed type	Three phase separate operation	M12 bolt	With auxiliary	DNH18-630/30	DN32641
630A	Busbar type	Three phase separate operation	M12 bolt	Without accessories	DNH18-630/31	DN32642
630A	Busbar type	Three phase separate operation	M12 bolt	With auxiliary	DNH18-630/31	DN32643

Overall Dimension Drawing

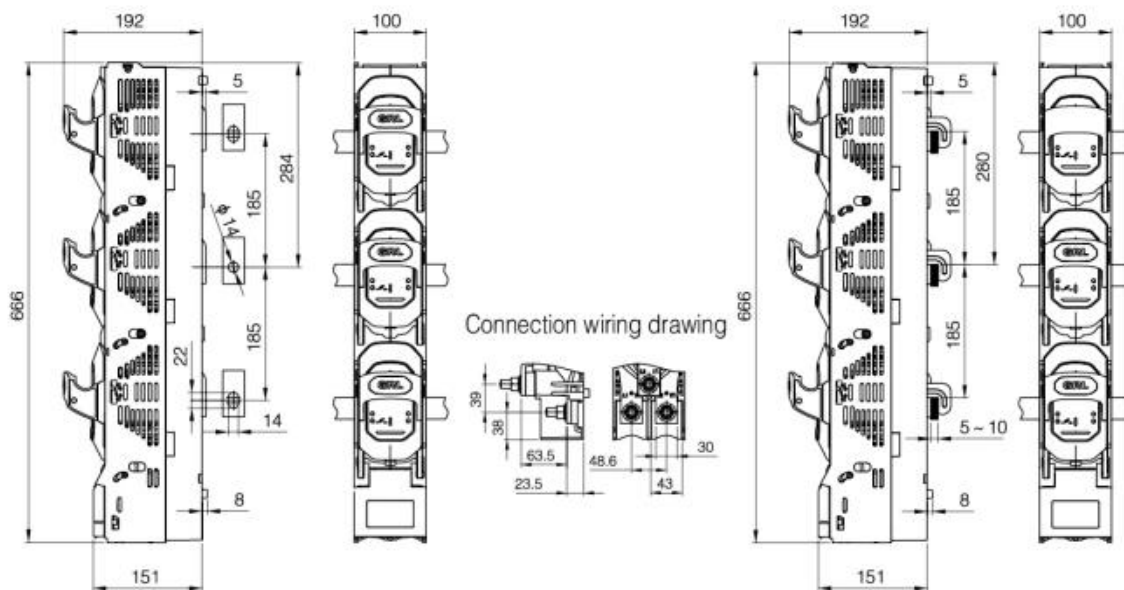
3L Fixed type installation dimension drawing

3L Bus-bar type installation dimension drawing




3S Fixed type installation dimension drawing

3S Bus-bar type installation dimension drawing



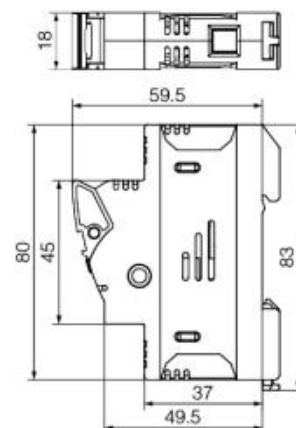
Accessories List

Category	Item No.	Picture	Item name	Model No.	Cable square (mm ²)	Torque (N·m)	Qty (Unit)	Matching Models	Standard	Optional
Product accessories	1.1		Position Block	—	—	—	4	DNH18-250-630	●	
	1.2		Insulation Board	—	—	—	2		●	
	1.3		Multi-function Meter	DN57020	—	—	1			●
	1.4		Current Transformer	—	—	—	3			●
	1.5		Fuse Monitor	DN57001	—	—	1	DNH18-160-630		●
Terminal	2.1		Hanging Terminal	DN54251	—	8	3	DNH18-160		●
	2.2		Hanging Terminal	DN54253	—	30	3	DNH18-250-630		●
Connection terminal	3.1	Matching cable lug or busbar	M8 Bolt	-----	16-70	12	3	DNH18-160		●
	3.2	Matching cable lug or busbar	M10 Bolt	-----	35-240	30	3	DNH18-250		●
	3.3	Matching cable lug or busbar	M10 Bolt	-----	35-240	30	3	DNH18-400		●
	3.4	Matching cable lug or busbar	M12 Bolt	----	70-240	35	3	DNH18-630		●
	3.5		Wiring Terminal	DN54224	16-70 s(r) 16-70 s(s) 16-70 f+AE	3	3	DNH18-160		●
	3.6		Wiring Terminal	DN54267	35-70 s(r) 16-150 s(s) 16-185sol(s)	25	3	DNH18-250		●
	3.7		Wiring V-Clamp	DN54275	50-300s(r) 50-240s(s) 50-300sol(s)	30	3	DNH18-250-630		●
	3.8		Horizontal Double Core Wiring Terminal	DN54276	2*185~240	30	1	DNH18-630		●
	3.9		Vertical Double Core Wiring Terminal		2*185~240	30	2	DNH18-630		●

RT Fuse Switch Disconnecter

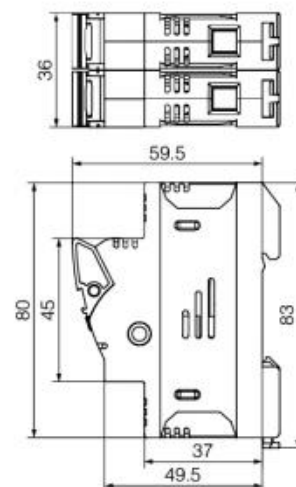
Item No. DN56110

Product model	RT18-32
Description	Fuse switch disconnecter, standard structure without null line
Pole	1P
Mounting method	DIN rail installation
Wiring range	0.75-25mm ²
Fuse size	10*38mm
Rated operational current I _e	32A(500VAC)/25A(690VAC)
Rated operational voltage U _e	500VAC/690VAC
Rated insulation voltage	800V
Rated impulse withstand current I _{pk}	6 kV
Breaking capacity with fuse	100kA(500VAC)/50kA(690VAC)
Utilization category with fuse	g G
IP	IP20
Reference standard	IEC 60269-2 GB/T 13539.2



Item No. DN56111

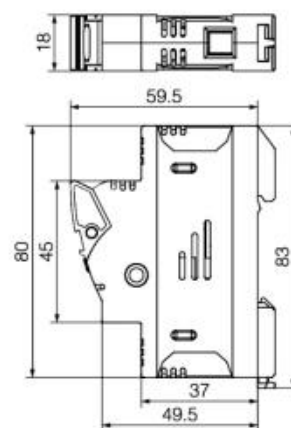
Product model	RT18-32
Description	Fuse switch disconnecter, standard structure with null line at right
Pole	1P+N
Mounting method	DIN rail installation
Wiring range	0.75-25mm ²
Fuse size	10*38mm
Rated operational current I _e	32A(500VAC)/25A(690VAC)
Rated operational voltage U _e	500VAC/690VAC
Rated insulation voltage	800V
Rated impulse withstand current I _{pk}	6 kV
Breaking capacity with fuse	100kA(500VAC)/50kA(690VAC)
Utilization category with fuse	g G
IP	IP20
Reference standard	IEC 60269-2 GB/T 13539.2



DNPVF1 Fuse Switch Disconnecter

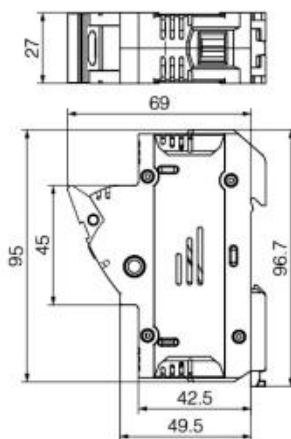
Item No. DN56401

Product model	DNPVF1-32
Description	Fuse Switch Disconnecter, standard structure without null line
Pole	1P
Mounting method	DIN rail installation
Wiring range	0.75-25mm ²
Fuse size	10*38mm
Rated operational current Ie	32A
Rated operational voltage Ue	DC1000V
Rated insulation voltage Ui	DC1000V
Rated impulse withstand current Ipk	6 kV
Breaking capacity with fuse	20KA
Utilization category	DC-PV0
IP	IP20
Reference standard	IEC 60947-3 GB/T 14048.3



Item No. DN56411

Product model	DNPVF1-63
Description	Fuse Switch Disconnecter, standard structure without null line
Pole	1 P
Mounting method	DIN rail installation
Wiring range	1.5-35mm ²
Fuse size	14*51mm
Rated operational current Ie	63A
Rated operational voltage Ue	DC1000V
Rated insulation voltage Ui	DC1000V
Rated impulse withstand current Ipk	6 kV
Breaking capacity with fuse	20KA
Utilization category	DC-PV0
IP	IP20
Reference standard	IEC 60947-3 GB/T 14048.3

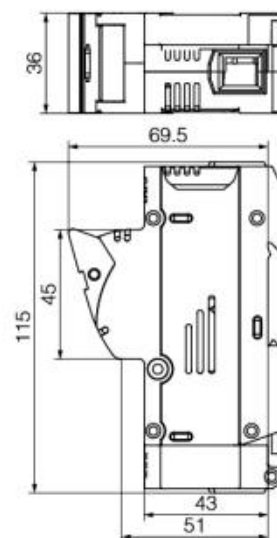


DNPVF1 Fuse Switch Disconnecter



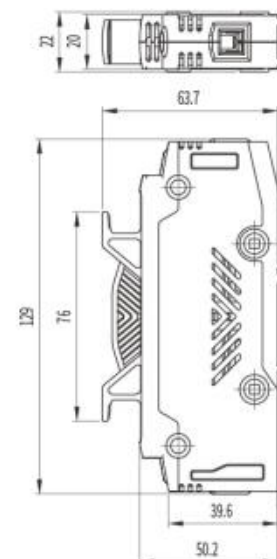
Item No. DN56421

Product model	DNPVF1-125
Description	Fuse Switch Disconnecter, standard structure without null line
Pole	1P
Mounting method	DIN rail installation
Wiring range	4-50mm ²
Fuse size	22*58mm
Rated operational current Ie	125A
Rated operational voltage Ue	DC250V
Rated insulation voltage Ui	DC250V
Rated impulse withstand current Ipk	6 kV
Breaking capacity with fuse	20KA
Utilization category	DC-PV0
IP	IP20
Reference standard	IEC 60947-3 GB/T 14048.3



Item No. DN56432

Product model	DNPVF1-32L
Description	Photovoltaic fuse holder
Pole	1 P
Mounting method	DIN rail installation
Wiring range	0.75-25mm ²
Fuse size	10*85mm/14*85mm
Rated operational current Ie	32A
Rated operational voltage Ue	DC1500V
Rated insulation voltage Ui	DC1500V
Rated impulse withstand current Ipk	8 kV
Breaking capacity with fuse	30KA
Utilization category	DC-PV0
IP	IP20
Reference standard	IEC 60947-3 GB/T 14048.3

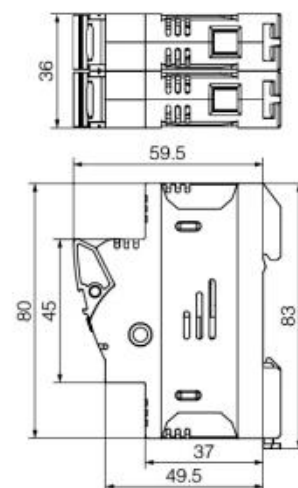


RT Fuse Switch Disconnecter



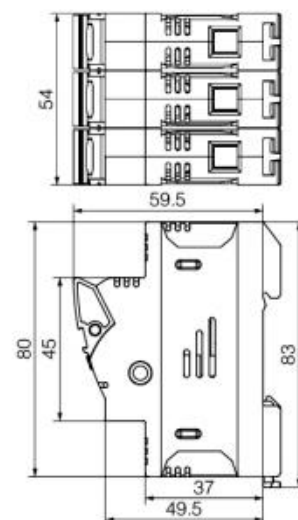
Item No. DN56112

Product model	RT18-32
Description	Fuse switch disconnecter, standard structure without null line
Pole	2P
Mounting method	DIN rail installation
Wiring range	0.75-25mm ²
Fuse size	10*38mm
Rated operational current Ie	32A(500VAC)/25A(690VAC)
Rated operational voltage Ue	500VAC/690VAC
Rated insulation voltage	800V
Rated impulse withstand current Ipk	6 kV
Breaking capacity with fuse	100kA(500VAC)/50kA(690VAC)
Utilization category with fuse	g G
IP	IP20
Reference standard	IEC 60269-2 GB/T 13539.2



Item No. DN56113

Product model	RT18-32
Description	Fuse switch disconnecter, standard structure without null line
Pole	3P
Mounting method	DIN rail installation
Wiring range	0.75-25mm ²
Fuse size	10*38mm
Rated operational current Ie	32A(500VAC)/25A(690VAC)
Rated operational voltage Ue	500VAC/690VAC
Rated insulation voltage	800V
Rated impulse withstand current Ipk	6 kV
Breaking capacity with fuse	100kA(500VAC)/50kA(690VAC)
Utilization category with fuse	g G
IP	IP20
Reference standard	IEC 60269-2 GB/T 13539.2

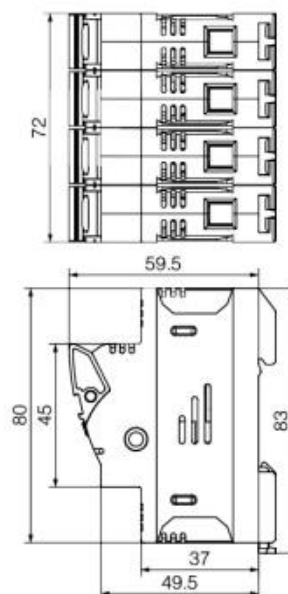


RT Fuse Switch Disconnecter



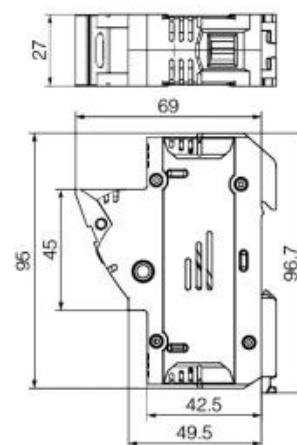
Item No. DN56114

Product model	RT18-32
Description	Fuse switch disconnecter, standard structure with null line at right
Pole	3P+N
Mounting method	DIN rail installation
Wiring range	0.75-25mm ²
Fuse size	10*38mm
Rated operational current Ie	32A(500VAC)/25A(690VAC)
Rated operational voltage Ue	500VAC/690VAC
Rated insulation voltage	800V
Rated impulse withstand current Ipk	6 kV
Breaking capacity with fuse	100kA(500VAC)/50kA(690VAC)
Utilization category with fuse	g G
IP	IP20
Reference standard	IEC 60269-2 GB/T 13539.2



Item No. DN56115

Product model	RT18-63
Description	Fuse switch disconnecter, standard structure without null line
Pole	1P
Mounting method	DIN rail installation
Wiring range	1.5-35mm ²
Fuse size	14*51mm
Rated operational current Ie	63A(500VAC)/50A(690VAC)
Rated operational voltage Ue	500VAC/690VAC
Rated insulation voltage	800V
Rated impulse withstand current Ipk	6 kV
Breaking capacity with fuse	100kA(500VAC)/50kA(690VAC)
Utilization category with fuse	g G
IP	IP20
Reference standard	IEC 60269-2 GB/T 13539.2

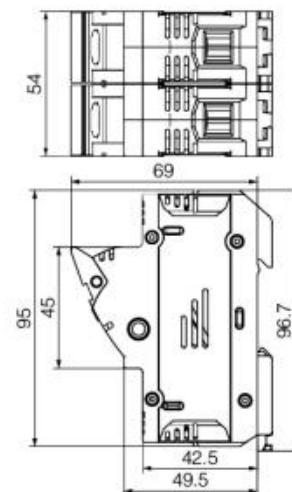


RT Fuse Switch Disconnecter



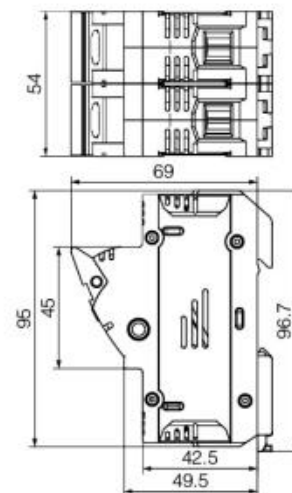
Item No. DN56116

Product model	RT18-63
Description	Fuse switch disconnecter, standard structure with null line at right
Pole	1P+N
Mounting method	DIN rail installation
Wiring range	1.5-35mm ²
Fuse size	14*51mm
Rated operational current Ie	63A(500VAC)/50A(690VAC)
Rated operational voltage Ue	500VAC/690VAC
Rated insulation voltage	800V
Rated impulse withstand current Ipk	6 kV
Breaking capacity with fuse	100kA(500VAC)/50kA(690VAC)
Utilization category with fuse	g G
IP	IP20
Reference standard	IEC 60269-2 GB/T 13539.2



Item No. DN56117

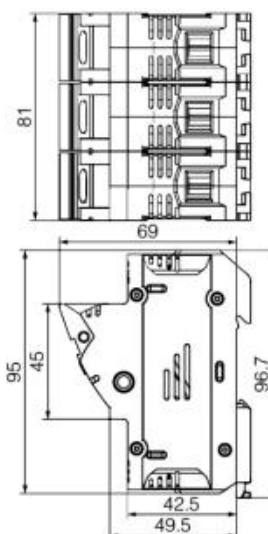
Product model	RT18-63
Description	Fuse switch disconnecter, standard structure without null line
Pole	2P
Mounting method	DIN rail installation
Wiring range	1.5-35mm ²
Fuse size	14*51mm
Rated operational current Ie	63A(500VAC)/50A(690VAC)
Rated operational voltage Ue	500VAC/690VAC
Rated insulation voltage	800V
Rated impulse withstand current Ipk	6 kV
Breaking capacity with fuse	100kA(500VAC)/50kA(690VAC)
Utilization category with fuse	g G
IP	IP20
Reference standard	IEC 60269-2 GB/T 13539.2



RT Fuse Switch Disconnecter

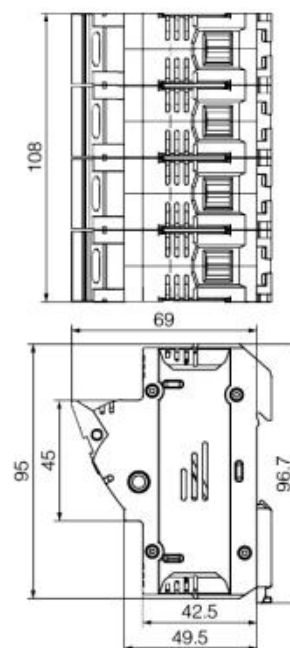
Item No. DN56118

Product model	RT18-63
Description	Fuse switch disconnecter, standard structure without null line
Pole	3P
Mounting method	DIN rail installation
Wiring range	1.5-35mm ²
Fuse size	14*51mm
Rated operational current Ie	63A(500VAC)/50A(690VAC)
Rated operational voltage Ue	500VAC/690VAC
Rated insulation voltage	800V
Rated impulse withstand current Ipk	6 kV
Breaking capacity with fuse	100kA(500VAC)/50kA(690VAC)
Utilization category with fuse	g G
IP	IP20
Reference standard	IEC 60269-2 GB/T 13539.2



Item No. DN56119

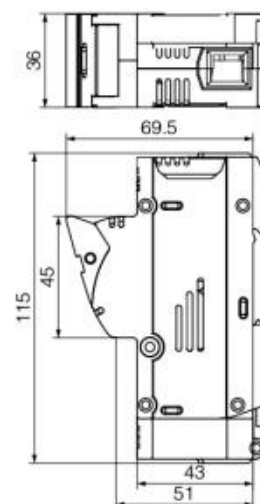
Product model	RT18-63
Description	Fuse switch disconnecter, standard structure with null line at right
Pole	3P+N
Mounting method	DIN rail installation
Wiring range	1.5-35mm ²
Fuse size	14*51mm
Rated operational current Ie	63A(500VAC)/50A(690VAC)
Rated operational voltage Ue	500VAC/690VAC
Rated insulation voltage	800V
Rated impulse withstand current Ipk	6 kV
Breaking capacity with fuse	100kA(500VAC)/50kA(690VAC)
Utilization category with fuse	g G
IP	IP20
Reference standard	IEC 60269-2 GB/T 13539.2



RT Fuse Switch Disconnecter

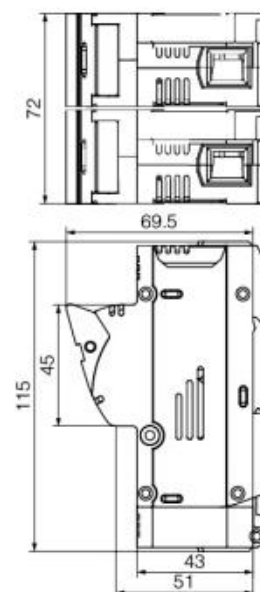
Item No. DN56120

Product model	RT18-125
Description	Fuse switch disconnecter, standard structure without null line
Pole	1P
Mounting method	DIN rail installation
Wiring range	4-50mm ²
Fuse size	22*58mm
Rated operational current Ie	125A(500VAC)/100A(690VAC)
Rated operational voltage Ue	500VAC/690VAC
Rated insulation voltage	800V
Rated impulse withstand current Ipk	6 kV
Breaking capacity with fuse	100kA(500VAC)/50kA(690VAC)
Utilization category with fuse	g G
IP	IP20
Reference standard	IEC 60269-2 GB/T 13539.2



Item No. DN56121

Product model	RT18-125
Description	Fuse switch disconnecter, standard structure with null line at right
Pole	1P+N
Mounting method	DIN rail installation
Wiring range	4-50mm ²
Fuse size	22*58mm
Rated operational current Ie	125A(500VAC)/100A(690VAC)
Rated operational voltage Ue	500VAC/690VAC
Rated insulation voltage	800V
Rated impulse withstand current Ipk	6 kV
Breaking capacity with fuse	100kA(500VAC)/50kA(690VAC)
Utilization category with fuse	g G
IP	IP20
Reference standard	IEC 60269-2 GB/T 13539.2

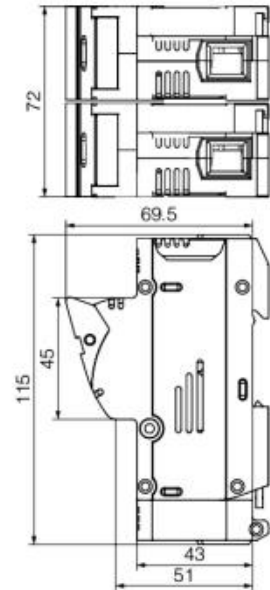


RT Fuse Switch Disconnecter



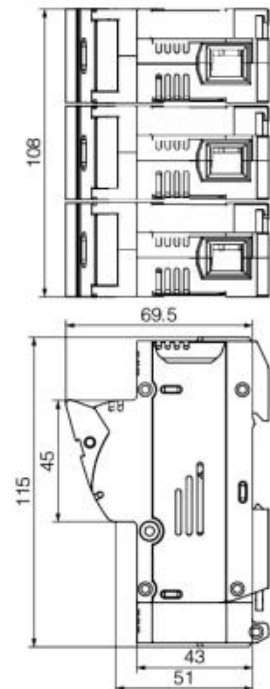
Item No. DN56122

Product model	RT18-125
Description	Fuse switch disconnecter, standard structure without null line
Pole	2P
Mounting method	DIN rail installation
Wiring range	4-50mm ²
Fuse size	22*58mm
Rated operational current Ie	125A(500VAC)/100A(690VAC)
Rated operational voltage Ue	500VAC/690VAC
Rated insulation voltage	800V
Rated impulse withstand current Ipk	6 kV
Breaking capacity with fuse	100kA(500VAC)/50kA(690VAC)
Utilization category with fuse	g G
IP	IP20
Reference standard	IEC 60269-2 GB/T 13539.2



Item No. DN56123

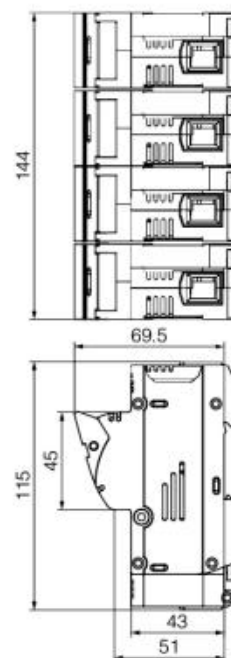
Product model	RT18-125
Description	Fuse switch disconnecter, standard structure without null line
Pole	3P
Mounting method	DIN rail installation
Wiring range	4-50mm ²
Fuse size	22*58mm
Rated operational current Ie	125A(500VAC)/100A(690VAC)
Rated operational voltage Ue	500VAC/690VAC
Rated insulation voltage	800V
Rated impulse withstand current Ipk	6 kV
Breaking capacity with fuse	100kA(500VAC)/50kA(690VAC)
Utilization category with fuse	g G
IP	IP20
Reference standard	IEC 60269-2 GB/T 13539.2



RT Fuse Switch Disconnecter

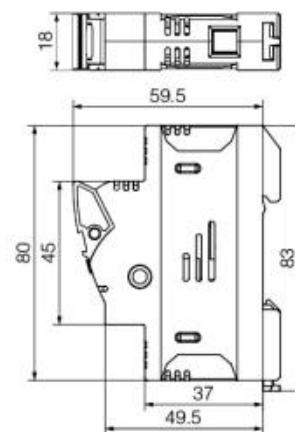
Item No. DN56124

Product model	RT18-125
Description	Fuse switch disconnecter, standard structure with null line at right
Pole	3P+N
Mounting method	DIN rail installation
Wiring range	4-50mm ²
Fuse size	22*58mm
Rated operational current Ie	125A(500VAC)/100A(690VAC)
Rated operational voltage Ue	500VAC/690VAC
Rated insulation voltage	800V
Rated impulse withstand current Ipk	6 kV
Breaking capacity with fuse	100kA(500VAC)/50kA(690VAC)
Utilization category with fuse	g G
IP	IP20
Reference standard	IEC 60269-2 GB/T 13539.2



Item No. DN56130

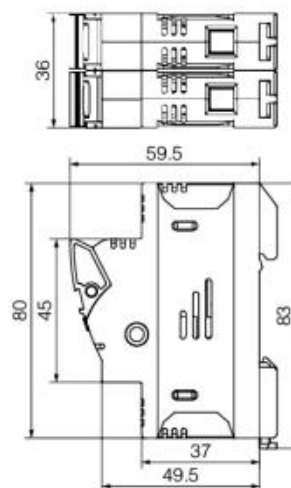
Product model	RT18-32
Description	Fuse switch disconnecter with LED indicator
Pole	1P
Mounting method	DIN rail installation
Wiring range	0.75-25mm ²
Fuse size	10*38mm
Rated operational current Ie	32A(500VAC)/25A(690VAC)
Rated operational voltage Ue	500VAC/690VAC
Rated insulation voltage	800V
Rated impulse withstand current Ipk	6 kV
Breaking capacity with fuse	100kA(500VAC)/50kA(690VAC)
Utilization category with fuse	g G
LED Indicator voltage	110 - 690 V AC / DC
IP	IP20
Reference standard	IEC 60269-2 GB/T 13539.2



RT Fuse Switch Disconnecter

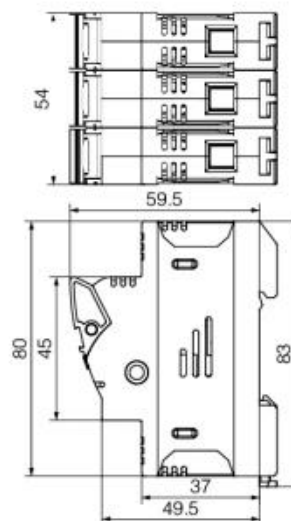
Item No. DN56132

Product model	RT18-32
Description	Fuse switch disconnecter with LED indicator
Pole	2P
Mounting method	DIN rail installation
Wiring range	0.75-25mm ²
Fuse size	10*38mm
Rated operational current Ie	32A(500VAC)/25A(690VAC)
Rated operational voltage Ue	500VAC/690VAC
Rated insulation voltage	800V
Rated impulse withstand current Ipk	6 kV
Breaking capacity with fuse	100kA(500VAC)/50kA(690VAC)
Utilization category with fuse	g G
IP	IP20
Reference standard	IEC 60269-2 GB/T 13539.2



Item No. DN56133

Product model	RT18-32
Description	Fuse switch disconnecter with LED indicator
Pole	3P
Mounting method	DIN rail installation
Wiring range	0.75-25mm ²
Fuse size	10*38mm
Rated operational current Ie	32A(500VAC)/25A(690VAC)
Rated operational voltage Ue	500VAC/690VAC
Rated insulation voltage	800V
Rated impulse withstand current Ipk	6 kV
Breaking capacity with fuse	100kA(500VAC)/50kA(690VAC)
Utilization category with fuse	g G
IP	IP20
Reference standard	IEC 60269-2 GB/T 13539.2

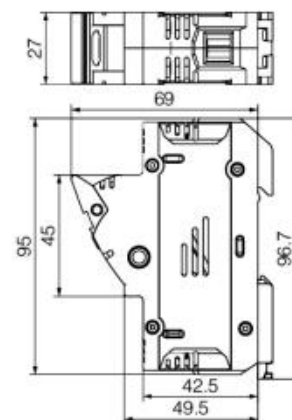


RT Fuse Switch Disconnecter



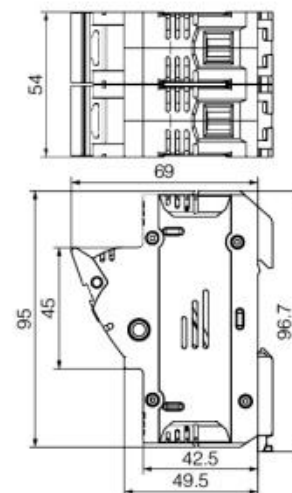
Item No. DN56135

Product model	RT18-63
Description	Fuse switch disconnecter with LED indicator
Pole	1P
Mounting method	DIN rail installation
Wiring range	1.5-35mm ²
Fuse size	14*51mm
Rated operational current Ie	63A(500VAC)/50A(690VAC)
Rated operational voltage Ue	500VAC/690VAC
Rated insulation voltage	800V
Rated impulse withstand current Ipk	6 kV
Breaking capacity with fuse	100kA(500VAC)/50kA(690VAC)
Utilization category with fuse	g G
IP	IP20
Reference standard	IEC 60269-2 GB/T 13539.2



Item No. DN56137

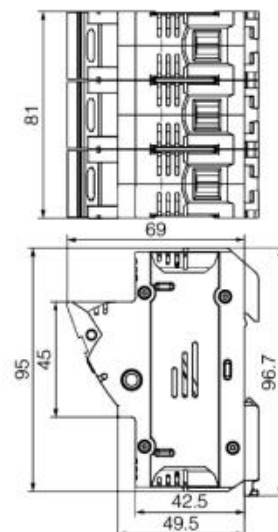
Product model	RT18-63
Description	Fuse switch disconnecter with LED indicator
Pole	2P
Mounting method	DIN rail installation
Wiring range	1.5-35mm ²
Fuse size	14*51mm
Rated operational current Ie	63A(500VAC)/50A(690VAC)
Rated operational voltage Ue	500VAC/690VAC
Rated insulation voltage	800V
Rated impulse withstand current Ipk	6 kV
Breaking capacity with fuse	100kA(500VAC)/50kA(690VAC)
Utilization category with fuse	g G
IP	IP20
Reference standard	IEC 60269-2 GB/T 13539.2



RT Fuse Switch Disconnecter

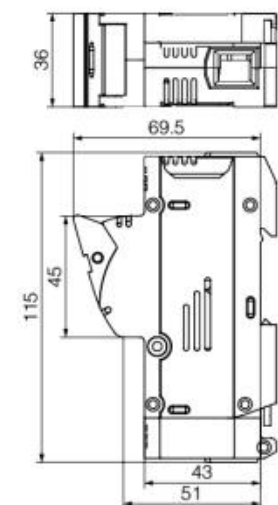
Item No. DN56138

Product model	RT18-63
Description	Fuse switch disconnecter with LED indicator
Pole	3P
Mounting method	DIN rail installation
Wiring range	1.5-35mm ²
Fuse size	14*51mm
Rated operational current Ie	63A(500VAC)/50A(690VAC)
Rated operational voltage Ue	500VAC/690VAC
Rated insulation voltage	800V
Rated impulse withstand current Ipk	6 kV
Breaking capacity with fuse	100kA(500VAC)/50kA(690VAC)
Utilization category with fuse	g G
IP	IP20
Reference standard	IEC 60269-2 GB/T 13539.2



Item No. DN56140

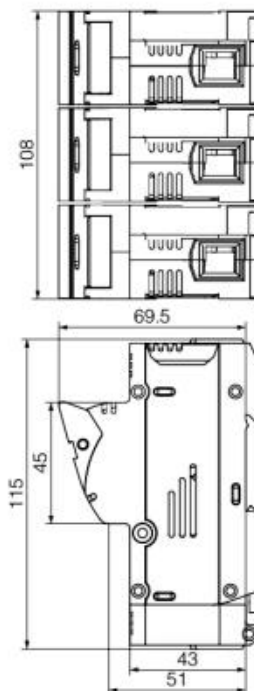
Product model	RT18-125
Description	Fuse switch disconnecter with LED indicator
Pole	1P
Mounting method	DIN rail installation
Wiring range	4-50mm ²
Fuse size	22*58mm
Rated operational current Ie	125A(500VAC)/100A(690VAC)
Rated operational voltage Ue	500VAC/690VAC
Rated insulation voltage	800V
Rated impulse withstand current Ipk	6 kV
Breaking capacity with fuse	100kA(500VAC)/50kA(690VAC)
Utilization category with fuse	g G
IP	IP20
Reference standard	IEC 60269-2 GB/T 13539.2



RT Fuse Switch Disconnecter

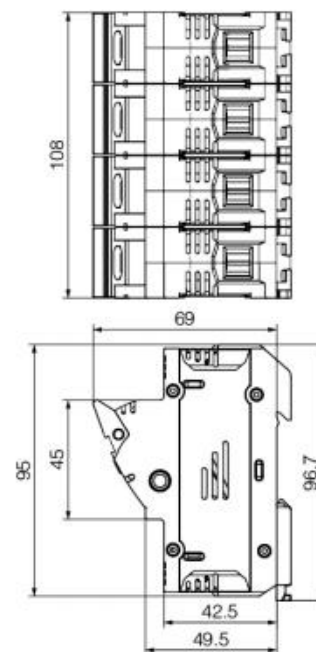
Item No. DN56143

Product model	RT18-125
Description	Fuse switch disconnecter with LED indicator
Pole	3P
Mounting method	DIN rail installation
Wiring range	4-50mm ²
Fuse size	22*58mm
Rated operational current Ie	125A(500VAC)/100A(690VAC)
Rated operational voltage Ue	500VAC/690VAC
Rated insulation voltage	800V
Rated impulse withstand current Ipk	6 kV
Breaking capacity with fuse	100kA(500VAC)/50kA(690VAC)
Utilization category with fuse	g G
IP	IP20
Reference standard	IEC 60269-2 GB/T 13539.2

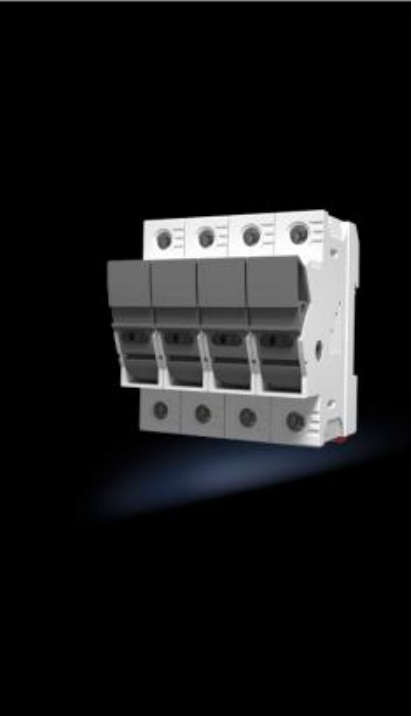


Item No. DN56168

Product model	RT18-63
Description	Fuse switch disconnecter, standard structure with null line at left
Pole	3P+N
Mounting method	DIN rail installation
Wiring range	1.5-35mm ²
Fuse size	14*51mm
Rated operational current Ie	63A(500VAC)/50A(690VAC)
Rated operational voltage Ue	500VAC/690VAC
Rated insulation voltage	800V
Rated impulse withstand current Ipk	6 kV
Breaking capacity with fuse	100kA(500VAC)/50kA(690VAC)
Utilization category with fuse	g G
IP	IP20
Reference standard	IEC 60269-2 GB/T 13539.2

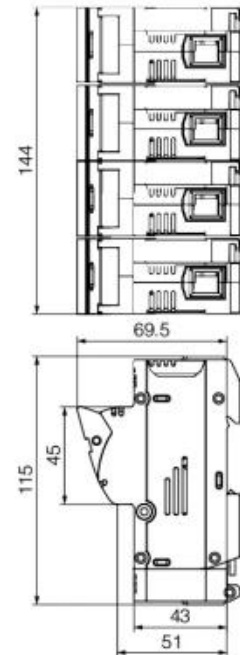


RT Fuse Switch Disconnecter



Item No. DN56171

Product model	RT18-125
Description	Fuse switch disconnecter, standard structure with null line at left
Pole	3P+N
Mounting method	DIN rail installation
Wiring range	4-50mm ²
Fuse size	22*58mm
Rated operational current Ie	125A(500VAC)/100A(690VAC)
Rated operational voltage Ue	500VAC/690VAC
Rated insulation voltage	800V
Rated impulse withstand current Ipk	6 kV
Breaking capacity with fuse	100kA(500VAC)/50kA(690VAC)
Utilization category with fuse	g G
IP	IP20
Reference standard	IEC 60269-2 GB/T 13539.2



Mini Vertical Fuse Switch Disconnecter



Item No. DN56017

Rated operational current Ie	25A(690V)/32A(500V)
Rated operational voltage Ue	690VAC/500VAC
Rated insulation voltage Ui	800V
Rated impulse withstand current Ipk	6KV
Breaking capacity with fuse	100kA(500VAC)/50kA(690VAC)
System	60mm
Pole	3
Operation type	Three-phase synchronous operation (3L)
Mounting method	Hanging type
Suitable for busbar	12、15、20、25、30 x 5、10mm and irregular copper busbar
Wiring range	1.5-6mm ²
With(or without) LED indicator	Without
Suit for fuse	DO 10X38
Reference standard	IEC 60269-1 IEC 60269-2 GB/T 13539.2



Item No. DN56018

Rated operational current Ie	25A(690V)/32A(500V)
Rated operational voltage Ue	690VAC/500VAC
Rated insulation voltage Ui	800V
Rated impulse withstand current Ipk	6KV
Breaking capacity with fuse	100kA(500VAC)/50kA(690VAC)
System	60mm
Pole	3
Operation type	Three-phase synchronous operation (3L)
Mounting method	Hanging type
Suitable for busbar	12、15、20、25、30 x 5、10mm and irregular copper busbar
Wiring range	1.5-6mm ²
With(or without) LED indicator	With
Suit for fuse	DO 10X38
Reference standard	IEC 60269-1 IEC 60269-2 GB/T 13539.2

Mini Vertical Fuse Switch Disconnecter



Item No. DN56019

Rated operational current I_e	25A(690V)/32A(500V)
Rated operational voltage U_e	690VAC/500VAC
Rated insulation voltage U_i	800V
Rated impulse withstand current I_{pk}	6KV
Breaking capacity with fuse	100kA(500VAC)/50kA(690VAC)
System	60mm
Pole	3
Operation type	Three phase separate operation (3S)
Mounting method	Hanging type
Suitable for busbar	12、15、20、25、30 x 5、10mm and irregular copper busbar
Wiring range	1.5-6mm ²
With(or without) LED indicator	Without
Suit for fuse	DO 10X38
Reference standard	IEC 60269-1 IEC 60269-2 GB/T 13539.2



Item No. DN56020

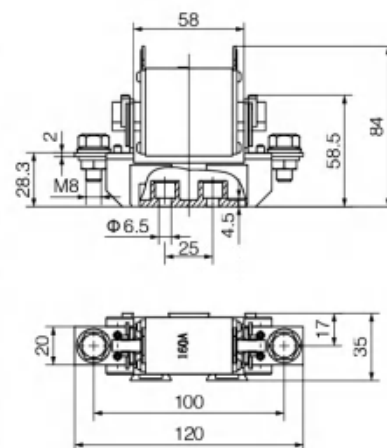
Rated operational current I_e	25A(690V)/32A(500V)
Rated operational voltage U_e	690VAC/500VAC
Rated insulation voltage U_i	800V
Rated impulse withstand current I_{pk}	6KV
Breaking capacity with fuse	100kA(500VAC)/50kA(690VAC)
System	60mm
Pole	3
Operation type	Three phase separate operation (3S)
Mounting method	Hanging type
Suitable for busbar	12、15、20、25、30 x 5、10mm and irregular copper busbar
Wiring range	1.5-6mm ²
With(or without) LED indicator	With
Suit for fuse	DO 10X38
Reference standard	IEC 60269-1 IEC 60269-2 GB/T 13539.2

DNF1 Fuse Base



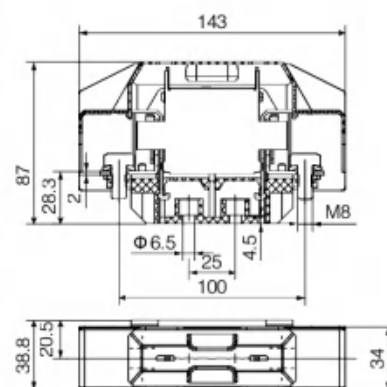
Item No. DN56300

Model No.	DNF1-00
Rated current Ie	160A(500VAC,250VDC)/100A(690VAC)
Rated voltage Ue	500VAC/690VAC/250VDC
Rated insulation voltage	690V
Rated impulse withstand current Ipk	6kV
Breaking capacity with fuse	120kA(500VAC)/50kA(690VAC)/100kA(250VDC)
Fuse size	00
Feature	1P, without touch protection device
Mounting method	Fixed type
Reference standard	IEC 60269-1 IEC 60269-2 GB/T 13539.2



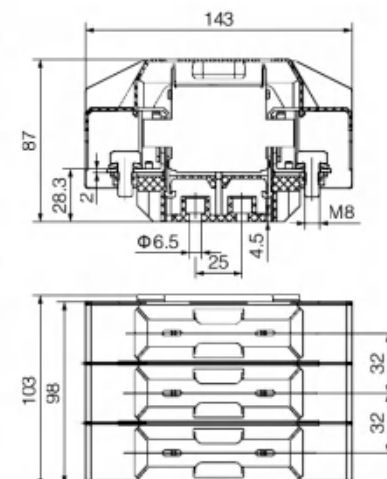
Item No. DN56301

Model No.	DNF1-00
Rated current Ie	160A(500VAC,250VDC)/100A(690VAC)
Rated voltage Ue	500VAC/690VAC/250VDC
Rated insulation voltage	690V
Rated impulse withstand current Ipk	6kV
Breaking capacity with fuse	120kA(500VAC)/50kA(690VAC)/100kA(250VDC)
Fuse size	00
Feature	1P, with touch protection device
Mounting method	Fixed type
Reference standard	IEC 60269-1 IEC 60269-2 GB/T 13539.2

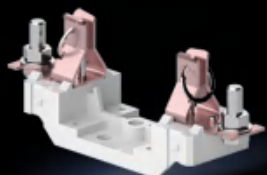


Item No. DN56302

Model No.	DNF1-00
Rated current Ie	160A(500VAC,250VDC)/100A(690VAC)
Rated voltage Ue	500VAC/690VAC/250VDC
Rated insulation voltage	690V
Rated impulse withstand current Ipk	6kV
Breaking capacity with fuse	120kA(500VAC)/50kA(690VAC)/100kA(250VDC)
Fuse size	00
Feature	3P, with touch protection device
Mounting method	Fixed type
Reference standard	IEC 60269-1 IEC 60269-2 GB/T 13539.2

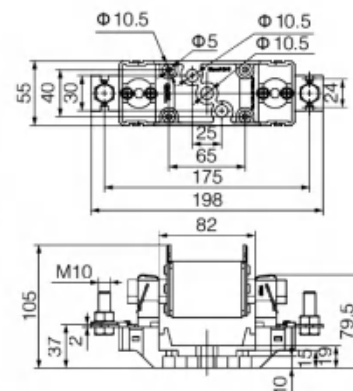


DNF1 Fuse Base



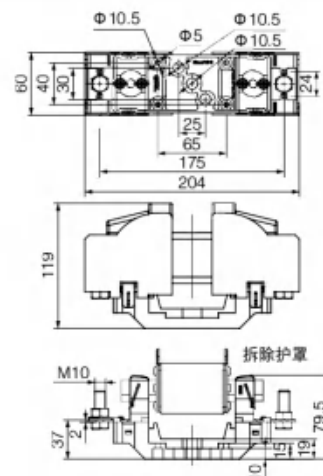
Item No. DN56310

Model No.	DNF1-1
Rated current I_e	250A(500VAC,440VDC)/200A(690VAC)
Rated voltage U_e	500VAC/690VAC/440VDC
Rated insulation voltage	690V
Rated impulse withstand current I_{pk}	6kV
Breaking capacity with fuse	120kA(500VAC)/50kA(690VAC)/100kA(440VDC)
Fuse size	1
Feature	1P, without touch protection device
Mounting method	Fixed type
Reference standard	IEC 60269-1 IEC 60269-2 GB/T 13539.2



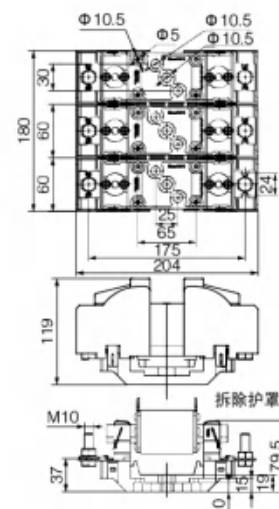
Item No. DN56311

Model No.	DNF1-1
Rated current I_e	250A(500VAC,440VDC)/200A(690VAC)
Rated voltage U_e	500VAC/690VAC/440VDC
Rated insulation voltage	690V
Rated impulse withstand current I_{pk}	6 kV
Breaking capacity with fuse	120kA(500VAC)/50kA(690VAC)/100kA(440VDC)
Fuse size	1
Feature	1P, with touch protection device
Mounting method	Fixed type
Reference standard	IEC 60269-1 IEC 60269-2 GB/T 13539.2



Item No. DN56312

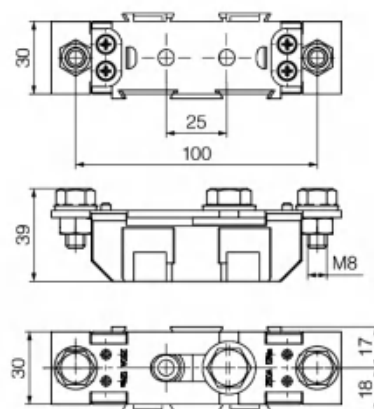
Model No.	DNF1-1
Rated current I_e	250A(500VAC,440VDC)/200A(690VAC)
Rated voltage U_e	500VAC/690VAC/440VDC
Rated insulation voltage	690V
Rated impulse withstand current I_{pk}	6 kV
Breaking capacity with fuse	120kA(500VAC)/50kA(690VAC)/100kA(440VDC)
Fuse size	1
Feature	3P, with touch protection device
Mounting method	Fixed type
Reference standard	IEC 60269-1 IEC 60269-2 GB/T 13539.2



DNF1 Fuse Base

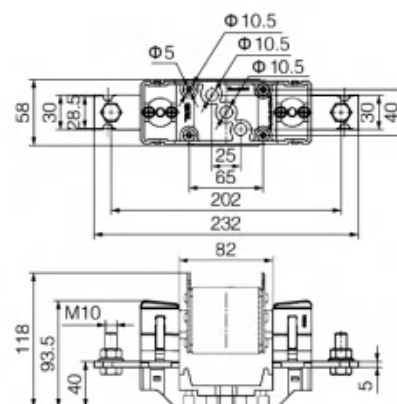
Item No. DN56313

Model No.	DNF1-1
Rated current I_e	250A(500VAC,440VDC)/200A(690VAC)
Rated voltage U_e	500VAC/690VAC/440VDC
Rated insulation voltage	690V
Rated impulse withstand current I_{pk}	6 kV
Breaking capacity with fuse	120kA(500VAC)/50kA(690VAC)/100kA(440VDC)
Reference standard	Product without fuse, with breaking capacity
Feature	N pole with breaking capacity without touch protection device
Mounting method	Fixed type
Reference standard	IEC 60269-1 IEC 60269-2 GB/T 13539.2



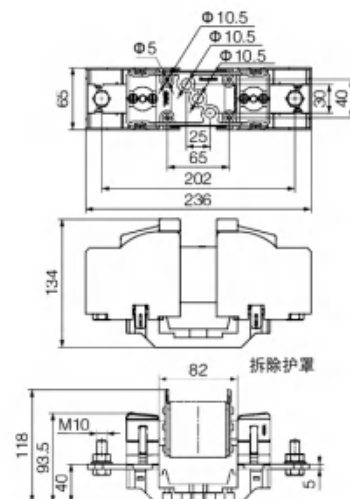
Item No. DN56320

Model No.	DNF1-2
Rated current I_e	400A(500VAC,440VDC)/315A(690VAC)
Rated voltage U_e	500VAC/690VAC/440VDC
Rated insulation voltage	690V
Rated impulse withstand current I_{pk}	6 kV
Breaking capacity with fuse	120kA(500VAC)/50kA(690VAC)/100kA(440VDC)
Fuse size	2
Feature	1P, without touch protection device
Mounting method	Fixed type
Reference standard	IEC 60269-1 IEC 60269-2 GB/T 13539.2



Item No. DN56321

Model No.	DNF1-2
Rated current I_e	400A(500VAC,440VDC)/315A(690VAC)
Rated voltage U_e	500VAC/690VAC/440VDC
Rated insulation voltage	690V
Rated impulse withstand current I_{pk}	6 kV
Breaking capacity with fuse	120kA(500VAC)/50kA(690VAC)/100kA(440VDC)
Fuse size	2
Feature	1P, with touch protection device
Mounting method	Fixed type
Reference standard	IEC 60269-1 IEC 60269-2 GB/T 13539.2

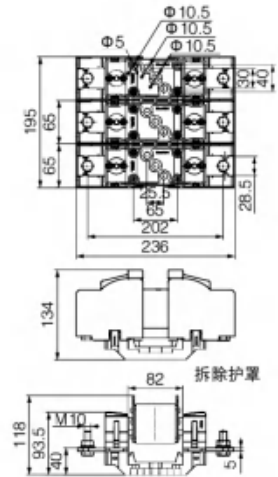


DNF1 Fuse Base



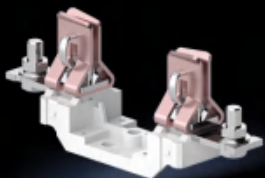
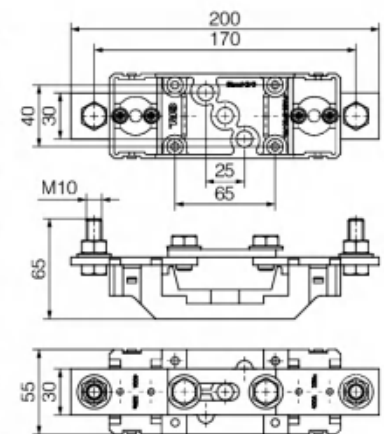
Item No. DN56322

Model No.	DNF1-2
Rated current I_e	400A(500VAC,440VDC)/315A(690VAC)
Rated voltage U_e	500VAC/690VAC/440VDC
Rated insulation voltage	690V
Rated impulse withstand current I_{pk}	6 kV
Fuse size	2
Feature	3P, with touch protection device
Mounting method	Fixed type
Reference standard	IEC 60269-1 IEC 60269-2 GB/T 13539.2



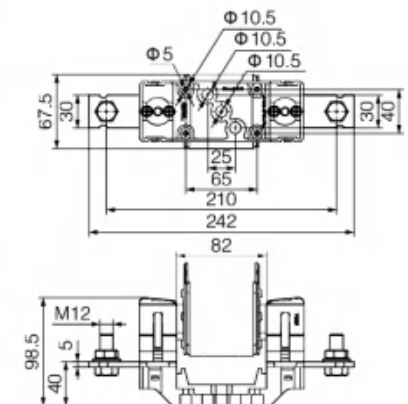
Item No. DN56323

Model No.	DNF1-2
Rated current I_e	400A(500VAC,440VDC)/315A(690VAC)
Rated voltage U_e	500VAC/690VAC/440VDC
Rated insulation voltage	690V
Rated impulse withstand current I_{pk}	6 kV
Feature	N pole with breaking capacity without touch protection device
Mounting method	Fixed type
Reference standard	IEC 60269-1 IEC 60269-2 GB/T 13539.2



Item No. DN56330

Model No.	DNF1-3
Rated current I_e	630A(500VAC,440VDC)/500A(690VAC)
Rated voltage U_e	500VAC/690VAC/440VDC
Rated insulation voltage	690V
Rated impulse withstand current I_{pk}	6 kV
Fuse size	3
Feature	1P, without touch protection device
Mounting method	Fixed type
Reference standard	IEC 60269-1 IEC 60269-2 GB/T 13539.2

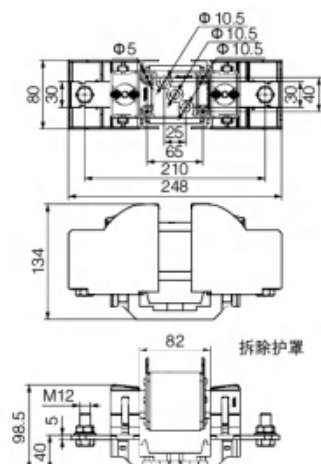


DNF1 Fuse Base



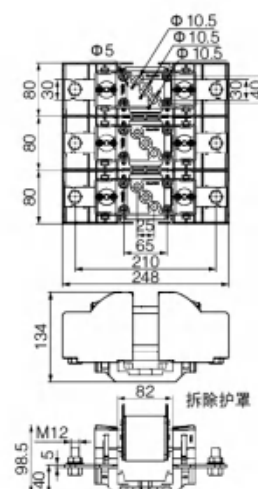
Item No. DN56331

Model No.	DNF1-3
Rated current Ie	630A(500VAC,440VDC)/500A(690VAC)
Rated voltage Ue	500VAC/690VAC/440VDC
Rated insulation voltage	690V
Rated impulse withstand current Ipk	6 kV
Breaking capacity with fuse	120kA(500VAC)/50kA(690VAC)/100kA(440VDC)
Fuse size	3
Feature	1P, with touch protection device
Mounting method	Fixed type
Reference standard	IEC 60269-1 IEC 60269-2 GB/T 13539.2



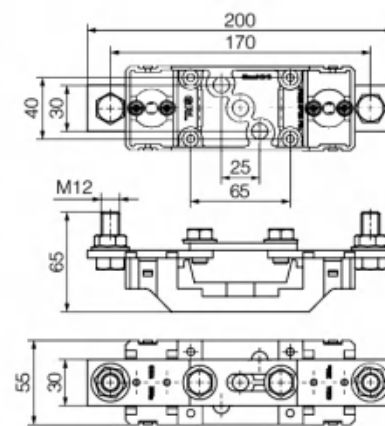
Item No. DN56332

Model No.	DNF1-3
Rated current Ie	630A(500VAC,440VDC)/500A(690VAC)
Rated voltage Ue	500VAC/690VAC/440VDC
Rated insulation voltage	690V
Rated impulse withstand current Ipk	6 kV
Breaking capacity with fuse	120kA(500VAC)/50kA(690VAC)/100kA(440VDC)
Fuse size	3
Feature	3P, with touch protection device
Mounting method	Fixed type
Reference standard	IEC 60269-1 IEC 60269-2 GB/T 13539.2



Item No. DN56333

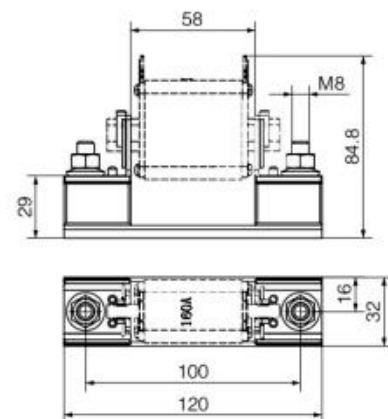
Model No.	DNF1-3
Rated current Ie	630A(500VAC,440VDC)/500A(690VAC)
Rated voltage Ue	500VAC/690VAC/440VDC
Rated insulation voltage	690V
Rated impulse withstand current Ipk	6 kV
Feature	N pole with breaking capacity without touch protection device
Mounting method	Fixed type
Reference standard	IEC 60269-1 IEC 60269-2 GB/T 13539.2



DNF2 Fuse Base

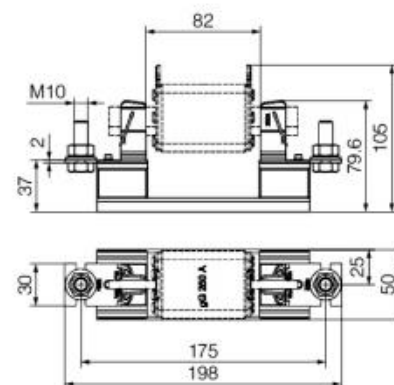
Item No. DN56305

Model No.	DNF2-00
Rated current Ie	160A(500VAC,250VDC)/100A(690VAC)
Rated voltage Ue	500VAC/690VAC/250VDC
Rated insulation voltage	690V
Rated impulse withstand current Ipk	6 kV
Breaking capacity with fuse	120kA(500VAC)/50kA(690VAC)/100kA(250VDC)
Fuse size	00
Feature	1P
Mounting method	Fixed type
Reference standard	IEC 60269-1 IEC 60269-2 GB/T 13539.2



Item No. DN56315

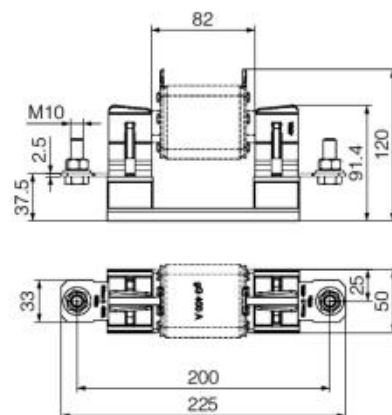
Model No.	DNF2-1
Rated current Ie	250A(500VAC,440VDC)/200A(690VAC)
Rated voltage Ue	500VAC/690VAC/440VDC
Rated insulation voltage	690V
Rated impulse withstand current Ipk	6 kV
Breaking capacity with fuse	120kA(500VAC)/50kA(690VAC)/100kA(440VDC)
Fuse size	1
Feature	1P
Mounting method	Fixed type
Reference standard	IEC 60269-1 IEC 60269-2 GB/T 13539.2



DNF2 Fuse Base

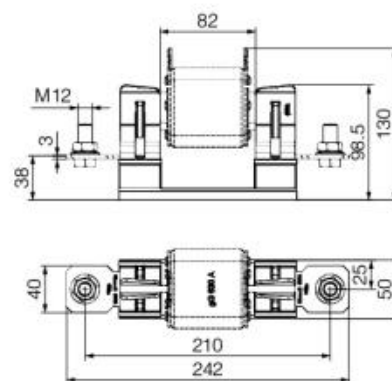
Item No. DN56325

Model No.	DNF2-2
Rated current Ie	400A(500VAC,440VDC)/315A(690VAC)
Rated voltage Ue	500VAC/690VAC/440VDC
Rated insulation voltage	690V
Rated impulse withstand current Ipk	6 kV
Breaking capacity with fuse	120kA(500VAC)/50kA(690VAC)/100kA(440VDC)
Fuse size	2
Feature	1P
Mounting method	Fixed type
Reference standard	IEC 60269-1 IEC 60269-2 GB/T 13539.2



Item No. DN56335

Model No.	DNF2-3
Rated current Ie	630A(500VAC,440VDC)/500A(690VAC)
Rated voltage Ue	500VAC/690VAC/440VDC
Rated insulation voltage	690V
Rated impulse withstand current Ipk	6 kV
Breaking capacity with fuse	120kA(500VAC)/50kA(690VAC)/100kA(440VDC)
Fuse size	3
Feature	1P
Mounting method	Fixed type
Reference standard	IEC 60269-1 IEC 60269-2 GB/T 13539.2

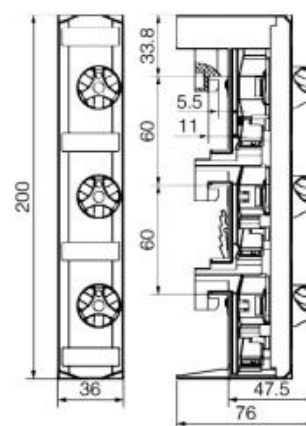


Busbar D Type Fuse Base



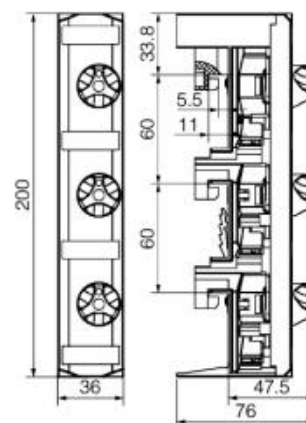
Item No. DN56235

Model No.	DNTF5-D01
Rated current Ie	16A
Rated voltage Ue	400VAC/250VDC
Wiring range	1.5-10mm ² round single wire or 1.5-25mm ² fine wire
Rated impulse withstand current Ipk	6kV
Breaking capacity with fuse	50kA(400VAC)/8kA(250VDC)
Applicated to System	60
Pole	3
For busbar (mm)	12、15、20、25、30 x 5、10mm flat copper busbar
Fuse size	D01
Mounting method	Busbar type
Reference standard	IEC60269-3 GB/T13539.3



Item No. DN56236

Model No.	DNTF5-D02
Rated current Ie	63A
Rated voltage Ue	400VAC/250VDC
Wiring range	1.5-10mm ² round single wire or 1.5-25mm ² fine wire
Rated impulse withstand current Ipk	6kV
Breaking capacity with fuse	50kA(400VAC)/8kA(250VDC)
Applicated to System	60
Pole	3
For busbar (mm)	12、15、20、25、30 x 5、10mm flat copper busbar
Fuse size	D02
Mounting method	Busbar type
Reference standard	IEC60269-3 GB/T13539.3

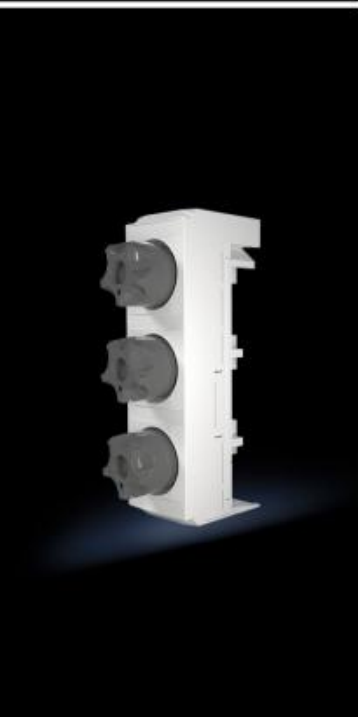
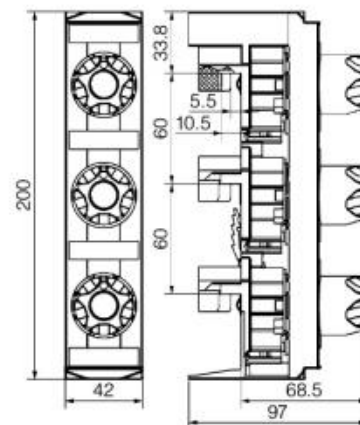


Busbar D Type Fuse Base



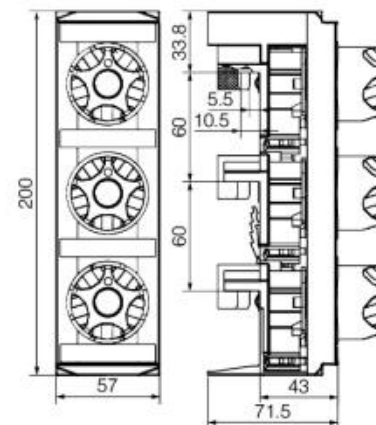
Item No. DN56246

Model No.	DNTF5-D II
Rated current Ie	25A
Rated voltage Ue	500VAC/500VDC
Wiring range	1.5-10mm ² round single wire or 1.5-25mm ² fine wire
Rated impulse withstand voltage Uimp	4kV
Breaking capacity with fuse	50kA(500VAC)/8kA(500VDC)
Applied to System	60
Pole	3
For busbar (mm)	12、15、20、25、30 x 5、10mm flat copper busbar
Fuse size	D II
Mounting method	Busbar type
Reference standard	IEC60269-3 GB/T13539.3



Item No. DN56247

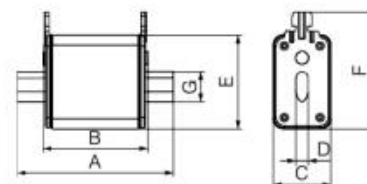
Model No.	DNTF5-D III
Rated current Ie	63A
Rated voltage Ue	500VAC/500VDC
Wiring range	1.5-10mm ² round single wire or 1.5-35mm ² fine wire
Rated impulse withstand voltage Uimp	4kV
Breaking capacity with fuse	50kA(500VAC)/8kA(500VDC)
Applied to System	60
Pole	3
For busbar (mm)	12、15、20、25、30 x 5、10mm flat copper busbar
Fuse size	D III
Mounting method	Busbar type
Reference standard	IEC60269-3 GB/T13539.3



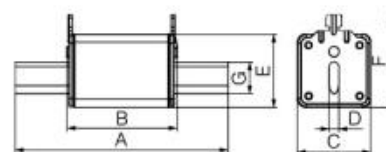
Fuse Link



Item No.	Rated current Ie	Rated voltage Ue	Breaking capacity with fuse
RT16-00C(NH00C / NH00C)	In:2A, 4A, 6A, 10A, 16A, 20A, 25A, 32A, 40A, 50A, 63A, 80A, 100A, (500VAC)	500VAC	120kA (500VAC)
RT16-00(NH00/ NH00)	In:2A, 4A, 6A, 8A, 10A, 12A, 16A, 20A, 25A, 32A, 40A, 50A, 63A, 80A, 100A, 125A, 160A(500VAC/250VDC); In:2A, 4A, 6A, 8A, 10A, 12A, 16A, 20A, 25A, 32A, 40A, 50A, 63A, 80A, 100A (690VAC)	500VAC/ 690VAC/ 250VDC	120kA(500V AC)/50kA(690VAC)/100kA(250VDC)



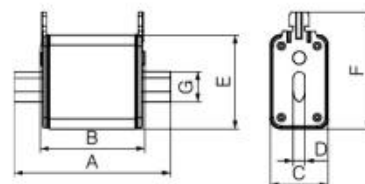
Item No.	Rated current Ie	Rated voltage Ue	Breaking capacity with fuse
RT16-0(NH0/ NH0)	In:2A, 4A, 6A, 10A, 16A, 20A, 25A, 32A, 40A, 50A, 63A, 80A, 100A, 125A, 160A(500VAC)	500VAC	120kA (500VAC)
RT16-1(NH1/ NH1)	In:40A, 50A, 63A, 80A, 100A, 125A, 160A, 200A, 225A, 250A (500VAC/440VDC); In:40A, 50A, 63A, 80A, 100A, 125A, 160A, 200A(690VAC)	500VAC/ 690VAC/ 440VDC	120kA(500VAC)/50kA(690VAC)/100kA(440VDC)
RT16-2(NH2/ NH2)	In:80A, 100A, 125A, 160A, 200A, 250A, 315A, 350A, 400A (500VAC/440VDC); In: 80A, 100A, 125A, 160A, 200A, 250A, 315A (690VAC)	500VAC/ 690VAC/ 440VDC	120kA(500VAC)/50kA(690VAC)/100kA(440VDC)
RT16-3(NH3/ NH3)	In: 315A, 400A, 500A, 630A (500VAC/440VDC); In: 315A, 400A, 500A (690VAC)	500VAC/ 690VAC/ 440VDC	120kA(500VAC)/50kA(690VAC)/100kA(440VDC)



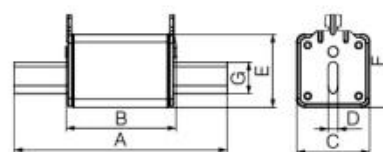
Fuse Link



Item No.	Rated current Ie	Rated voltage Ue	Breaking capacity with fuse
RT16-00C (NT00C/ NH00C) Indicator	In:2A, 4A, 6A, 10A, 16A, 20A, 25A, 32A, 40A, 50A, 63A, 80A, 100A, (500VAC)	500VAC	120kA (500VAC)
RT16-00 (NT00/ NH00)	In:2A, 4A, 6A, 8A, 10A, 12A, 16A, 20A, 25A, 32A, 40A, 50A, 63A, 80A, 100A, 125A, 160A(500VAC/250VDC); In:2A, 4A, 6A, 8A, 10A, 12A, 16A, 20A, 25A, 32A, 40A, 50A, 63A, 80A, 100A (690VAC)	500VAC/ 690VAC/ 250VDC	120kA(500V AC)/50kA(6 90VAC)/100 kA(250VDC)



Item No.	Rated current Ie	Rated voltage Ue	Breaking capacity with fuse
RT16-0 (NT0/ NH0) Indicator	In:2A, 4A, 6A, 10A, 16A, 20A, 25A, 32A, 40A, 50A, 63A, 80A, 100A, 125A, 160A(500VAC)	500VAC	120kA(500VAC)
RT16-1 (NT1/ NH1) Indicator	In:40A, 50A, 63A, 80A, 100A, 125A, 160A, 200A, 225A, 250A (500VAC/440VDC); In:40A, 50A, 63A, 80A, 100A, 125A, 160A, 200A(690VAC)	500VAC/ 690VAC/ 440VDC	120kA(500VAC) /50kA(690VAC)/ 100kA(440VDC)
RT16-2 (NT2/ NH2) Indicator	In:80A, 100A, 125A, 160A, 200A, 250A, 315A, 350A, 400A (500VAC/440VDC); In: 80A, 100A, 125A, 160A, 200A, 250A, 315A (690VAC)	500VAC/ 690VAC/ 440VDC	120kA(500VAC) /50kA(690VAC)/ 100kA(440VDC)
RT16-3 (NT3/ NH3) Indicator	In:315A, 400A, 500A, 630A (500VAC/440VDC); In: 315A, 400A, 500A (690VAC)	500VAC/ 690VAC/ 440VDC	120kA(500VAC) /50kA(690VAC)/ 100kA(440VDC)



Fuse Link

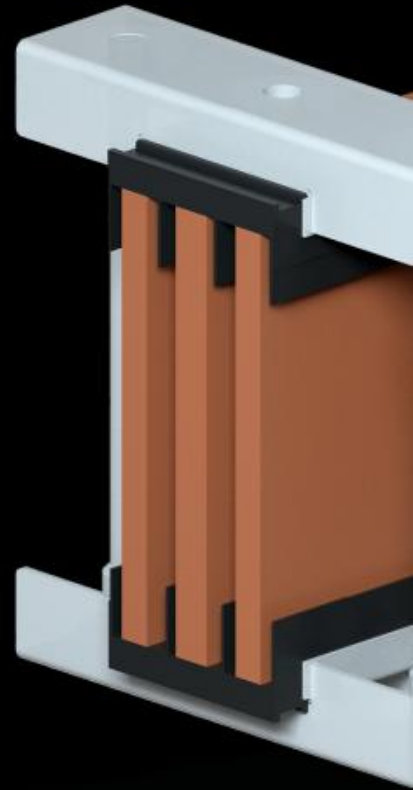


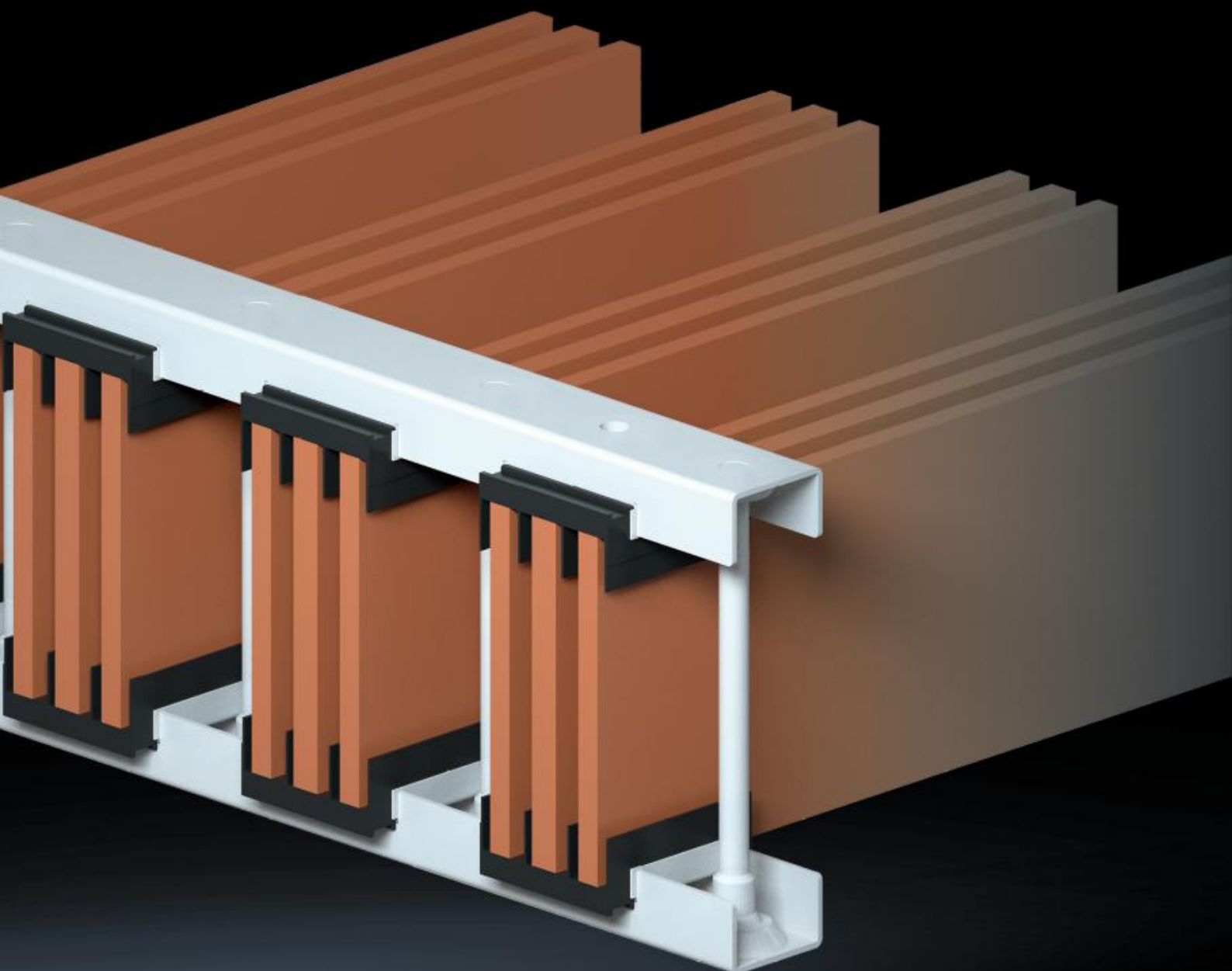
Item No.	Rated current Ie	Rated voltage Ue	Breaking capacity with fuse
RT18-32	In:1A, 2A, 4A, 6A, 8A, 10A, 16A, 20A, 25A, 32A(500VAC); In: 1A, 2A, 4A, 6A, 8A, 10A, 16A (690VAC)	500VAC/ 690VAC	100kA (500VAC)/ 50kA (690VAC)
RT18-63	In:2A, 4A, 6A, 8A, 10A, 12A, 16A, 20A, 25A, 32A, 40A, 50A, 63A(500VAC); In:2A, 4A, 6A, 8A, 10A, 12A, 16A, 20A, 25A, 32A (690VAC)	500VAC/ 690VAC	100kA (500VAC)/ 50kA (690VAC)
RT18-125	In: 10A, 16A, 20A, 25A, 32A, 40A, 50A, 63A, 80A, 100A, 125A (500VAC) In: 10A, 16A, 20A, 25A, 32A, 40A, 50A (690VAC)	500VAC/ 690VAC	100kA (500VAC)/ 50kA (690VAC)

You worth a good supplier like GRL

Flat copper busbar width 40-125mm(400A-7400A)

The copper busbar system with width more than 40mm provides a convenient connection method. The maximum current can reach 7400A, which is widely used in control cabinets.

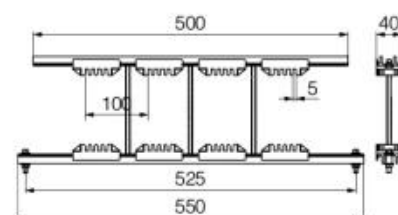




Copper Busbar Supports

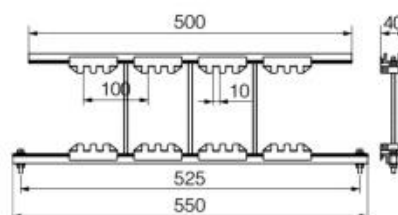
Item No. DN64926

Material	Aluminum, glass fiber reinforced polyamide, steel
Surface treatment	Galvanized plating (environmental protection color)
Typical application rated current	400-4500A
Max rated voltage Ui	1,000 VAC 1,500 VDC
Operating temperature	-40 to 130 ° C
Flame resistance class	UL® 94V-0
Busbar per phase	1-4
Distance between busbars	30-125mm
Busbar thickness	5mm
G.W	0.94 Kg
Reference standard	IEC61439-1 IEC60695-2-11 (Glow wire test the temperature is 960° C)



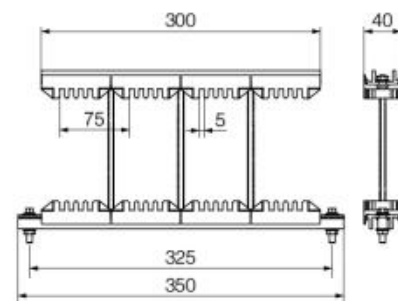
Item No. DN64927

Material	Aluminum, glass fiber reinforced polyamide, steel
Surface treatment	Galvanized plating (environmental protection color)
Typical application rated current	400-4500A
Max rated voltage Ui	1,000 VAC 1,500 VDC
Operating temperature	-40 to 130 ° C
Flame resistance class	UL® 94V-0
Busbar per phase	1-2
Distance between busbars	30-120mm
Busbar thickness	10mm
G.W	0.9 Kg
Reference standard	IEC61439-1 IEC60695-2-11 (Glow wire test the temperature is 960° C)



Item No. DN64931

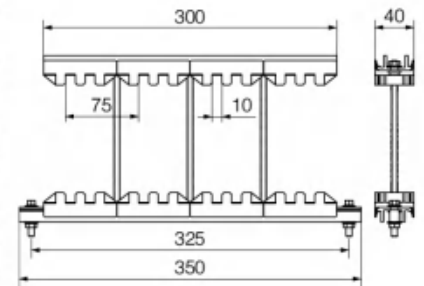
Material	Aluminum, glass fiber reinforced polyamide, steel
Surface treatment	Galvanized plating (environmental protection color)
Typical application rated current	400-4500A
Max rated voltage Ui	1,000 VAC 1,500 VDC
Operating temperature	-40 to 130 ° C
Flame resistance class	UL® 94V-0
Busbar per phase	1-4
Distance between busbars	30-125mm
Busbar thickness	5mm
G.W	0.8 Kg
Reference standard	IEC61439-1 IEC60695-2-11 (Glow wire test the temperature is 960° C)



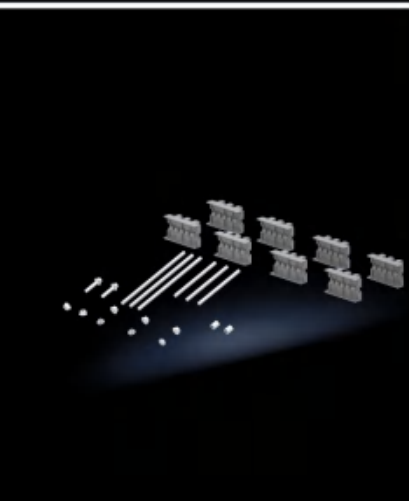
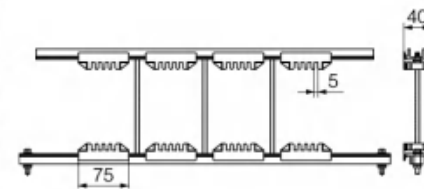
Copper Busbar Supports



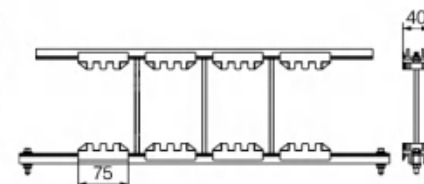
Item No.	DN64932
Material	Aluminum, glass fiber reinforced polyamide, steel
Surface treatment	Galvanized plating (environmental protection color)
Typical application rated current	400-4500A
Max rated voltage Ui	1,000 VAC 1,500 VDC
Operating temperature	-40 to 130 ° C
Flame resistance class	UL® 94V-0
Busbar per phase	1-2
Distance between busbars	30-120mm
Busbar thickness	10mm
G.W	0.8 Kg
Remark	
Reference standard	IEC61439-1 IEC60695-2-11 (Glow wire test the temperature is 960° C)



Item No.	DN64934
Material	Glass fiber reinforced polyamide, steel
Surface treatment	Galvanized plating (environmental protection color)
Typical application rated current	400-4500A
Max rated voltage Ui	1,000 VAC 1,500 VDC
Operating temperature	-40 to 130 ° C
Flame resistance class	UL® 94V-0
Busbar per phase	1-4
Distance between busbars	30-125mm
Busbar thickness	5mm
G.W	0.5 Kg
Remark	Without aluminum bracket
Reference standard	IEC61439-1 IEC60695-2-11 (Glow wire test the temperature is 960° C)



Item No.	DN64935
Material	Glass fiber reinforced polyamide, steel
Surface treatment	Galvanized plating (environmental protection color)
Typical application rated current	400-4500A
Max rated voltage Ui	1,000 VAC 1,500 VDC
Operating temperature	-40 to 130 ° C
Flame resistance class	UL® 94V-0
Busbar per phase	1-2
Distance between busbars	30-120mm
Busbar thickness	10mm
G.W	0.5 Kg
Remark	Without aluminum bracket
Reference standard	IEC61439-1 IEC60695-2-11 (Glow wire test the temperature is 960° C)



Copper Busbar Supports



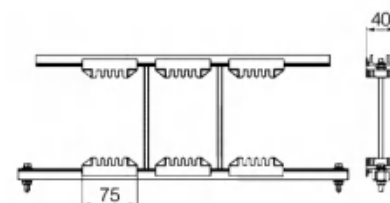
Item No. DN64936

Product	Copper Busbar Supports
Material	Glass fiber reinforced polyamidev, steel
Surface treatment	Galvanized plating (environmental protection color)
Typical application rated current	400-4500A
Max rated voltage Ui	1,000 VAC 1,500 VDC
Operating temperature	-40 to 130 ° C
Flame resistance class	UL94V-0
Busbar per phase	1-3
Distance between busbars	30-120mm
Busbar thickness	10mm
G.W	0.6 Kg
Remark	Without aluminum bracket
Reference standard	IEC61439-1 IEC60695-2-11 (Glow wire test the temperature is 960° C)



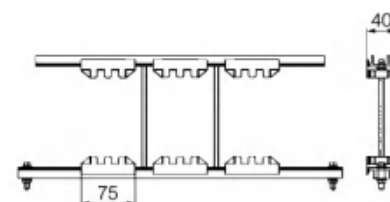
Item No. DN64937

Product	Copper Busbar Supports
Material	Glass fiber reinforced polyamidev, steel
Surface treatment	Galvanized plating (environmental protection color)
Typical application rated current	400-4500A
Max rated voltage Ui	1,000 VAC 1,500 VDC
Operating temperature	-40 to 130 ° C
Flame resistance class	UL94V-0
Busbar per phase	1-4
Distance between busbars	30-125mm
Busbar thickness	5mm
G.W	0.4 Kg
Remark	Without aluminum bracket
Reference standard	IEC61439-1 IEC60695-2-11 (Glow wire test the temperature is 960° C)

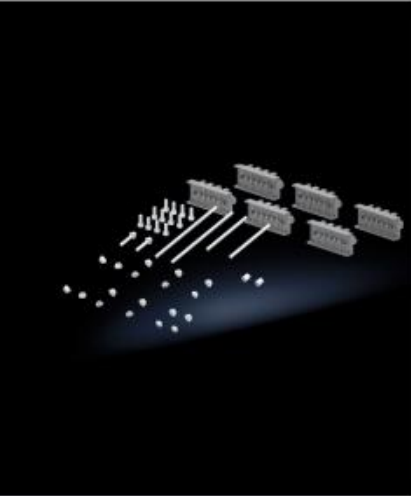


Item No. DN64938

Product	Copper Busbar Supports
Material	Glass fiber reinforced polyamidev, steel
Surface treatment	Galvanized plating (environmental protection color)
Typical application rated current	400-4500A
Max rated voltage Ui	1,000 VAC 1,500 VDC
Operating temperature	-40 to 130 ° C
Flame resistance class	UL94V-0
Busbar per phase	1-2
Distance between busbars	30-120mm
Busbar thickness	10mm
G.W	0.4 Kg
Remark	Without aluminum bracket
Reference standard	IEC61439-1 IEC60695-2-11 (Glow wire test the temperature is 960° C)

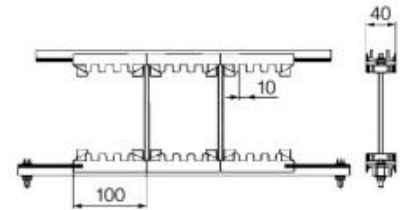


Copper Busbar Supports



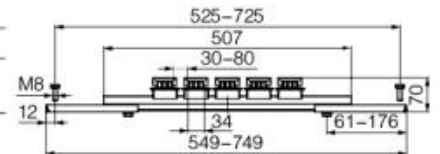
Item No. DN64939

Product	Copper Busbar Supports
Material	Glass fiber reinforced polyamidev, steel
Surface treatment	Galvanized plating (environmental protection color)
Typical application rated current	400-4500A
Max rated voltage Ui	1,000 VAC 1,500 VDC
Operating temperature	-40 to 130 ° C
Flame resistance class	UL94V-0
Busbar per phase	1-3
Distance between busbars	30-120mm
Busbar thickness	10mm
G.W	0.48 Kg
Remark	Without aluminum bracket
Referance standard	IEC61439-1 IEC60695-2-11 (Glow wire test the temperature is 960° C)



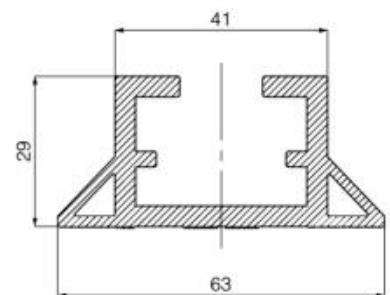
Item No. DN64497

Product	Copper Busbar Supports
Material	Aluminum, glass fiber reinforced polyamide, steel
Max rated voltage Ui	1,000 VAC 1,500 VDC
Operating temperature	-40 to 130 ° C
Flame resistance class	UL94V-0
Distance between busbars	30-80mm
Busbar thickness	5-10mm
Qty	1
Referance standard	IEC61439-1 IEC60695-2-11 (Glow wire test the temperature is 960° C)



Item No. DN64498

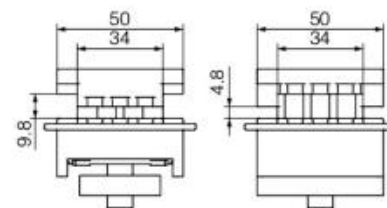
Product	Adjustable flat aluminum rail
Material	Aluminum
Length	2000mm
Height	29mm
Width	63mm
Suitable	Match with DN64499



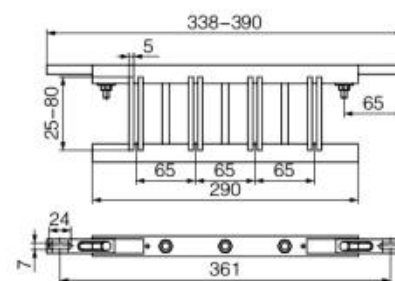
Copper Busbar Supports



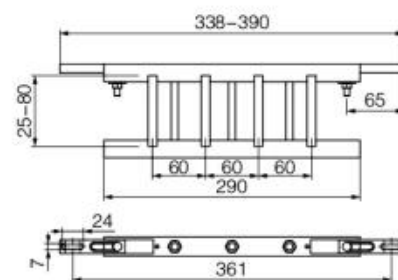
Item No.	DN64499
Product	Flat aluminum rail insulator
Material	Glass fiber reinforced polyamide
Max rated voltage Ui	1,000 VAC 1,500 VDC
Operating temperature	-40 to 130 ° C
Flame resistance class	UL94V-0
Distance between busbars	30-125mm
Busbar thickness	5-10mm
Remark	Without aluminum accessories, aluminum material code 64498
Qty	12
Reference standard	IEC61439-1 IEC60695-2-11 (Glow wire test the temperature is 960° C)



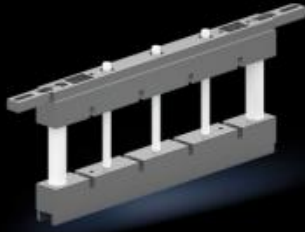
Item No.	DN64115
Product	Copper Busbar Supports
Material	Aluminum, glass fiber reinforced polyamide
Typical application rated current	250 - 1600 A
Max rated voltage Ui	1,000 VAC 1,500 VDC
Operating temperature	-40 to 130 ° C
Flame resistance class	UL94V-0
Distance between busbars	25-80mm
Busbar per phase	1-2
Busbar thickness	5mm
Reference standard	IEC61439-1 IEC60695-2-11 (Glow wire test the temperature is 960° C)



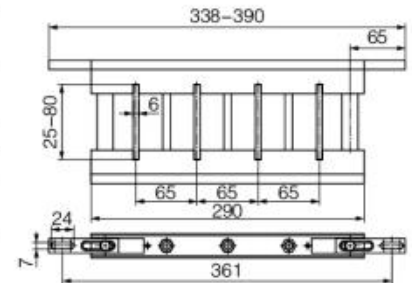
Item No.	DN64118
Product	Copper Busbar Supports
Material	Aluminum, glass fiber reinforced polyamide
Typical application rated current	250 - 1600 A
Max rated voltage Ui	1,000 VAC 1,500 VDC
Operating temperature	-40 to 130 ° C
Flame resistance class	UL94V-0
Distance between busbars	25-80mm
Busbar per phase	1
Busbar thickness	10mm
Reference standard	IEC61439-1 IEC60695-2-11 (Glow wire test the temperature is 960° C)



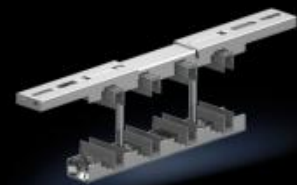
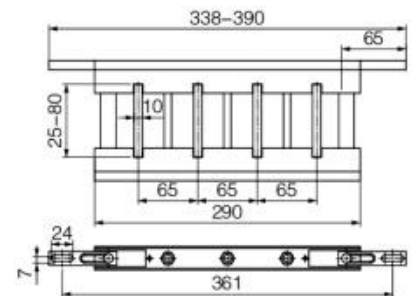
Copper Busbar Supports



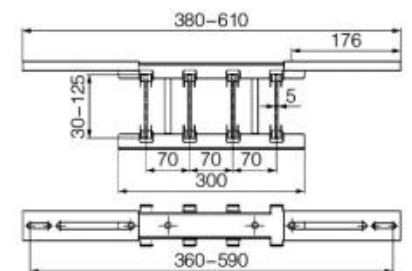
Item No.	DN64205
Product	Copper Busbar Supports
Material	Aluminum, glass fiber reinforced polyamide
Typical application rated current	500 - 1200 A
Max rated voltage U_i	1,000 VAC 1,500 VDC
Operating temperature	-40 to 130 ° C
Flame resistance class	UL94V-0
Distance between busbars	25-80mm
Busbar per phase	1
Busbar thickness	6.35mm
Reference standard	IEC61439-1 IEC60695-2-11 (Glow wire test the temperature is 960° C)



Item No.	DN64207
Product	Copper Busbar Supports
Material	Aluminum, glass fiber reinforced polyamide
Typical application rated current	500 - 1600 A
Max rated voltage U_i	1,000 VAC 1,500 VDC
Operating temperature	-40 to 130 ° C
Flame resistance class	UL94V-0
Distance between busbars	25-80mm
Busbar per phase	1
Busbar thickness	10mm
Reference standard	IEC61439-1 IEC60695-2-11 (Glow wire test the temperature is 960° C)



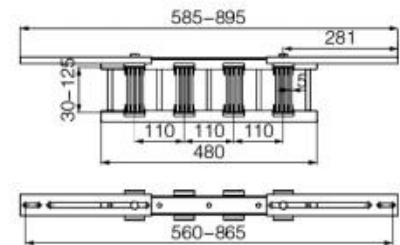
Item No.	DN64100
Product	Copper Busbar Supports
Material	Steel, glass fiber reinforced polyamide
Typical application rated current	1700 A
Max rated voltage U_i	1,000 VAC 1,500 VDC
Operating temperature	-40 to 130 ° C
Flame resistance class	UL94V-0
Distance between busbars	30-125mm
Busbar per phase	1
Busbar thickness	5mm
Reference standard	IEC61439-1 IEC60695-2-11 (Glow wire test the temperature is 960° C)



Copper Busbar Supports

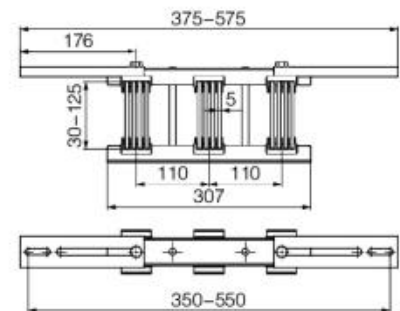
Item No. DN64101

Product	Copper Busbar Supports
Material	Steel, glass fiber reinforced polyamide
Typical application rated current	3500 A
Max rated voltage Ui	1,000 VAC 1,500 VDC
Operating temperature	-40 to 130 °C
Flame resistance class	UL94V-0
Distance between busbars	30-125mm
Busbar per phase	1-4
Busbar thickness	5mm
Reference standard	IEC61439-1 IEC60695-2-11 (Glow wire test the temperature is 960° C)



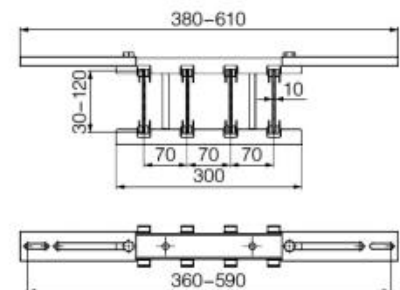
Item No. DN64102

Product	Copper Busbar Supports
Material	Steel, glass fiber reinforced polyamide
Typical application rated current	3500 A
Max rated voltage Ui	1,000 VAC 1,500 VDC
Operating temperature	-40 to 130 °C
Flame resistance class	UL94V-0
Distance between busbars	30-125mm
Busbar per phase	1-4
Busbar thickness	5mm
Reference standard	IEC61439-1 IEC60695-2-11 (Glow wire test the temperature is 960° C)



Item No. DN64106

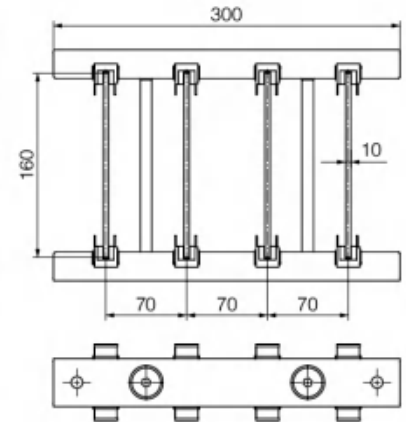
Product	Copper Busbar Supports
Material	Steel, glass fiber reinforced polyamide
Typical application rated current	2250 A
Max rated voltage Ui	1,000 VAC 1,500 VDC
Operating temperature	-40 to 130 °C
Flame resistance class	UL94V-0
Distance between busbars	30-120mm
Busbar per phase	1
Busbar thickness	10mm
Reference standard	IEC61439-1 IEC60695-2-11 (Glow wire test the temperature is 960° C)



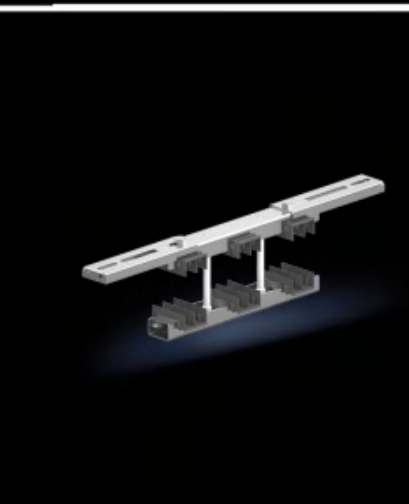
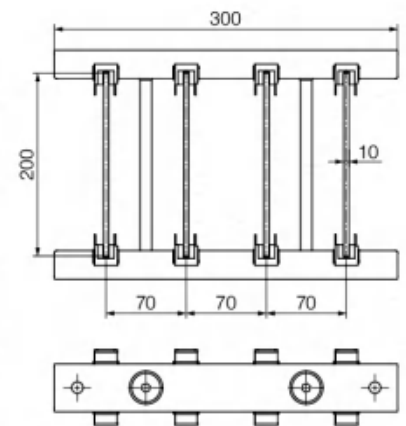
Copper Busbar Supports



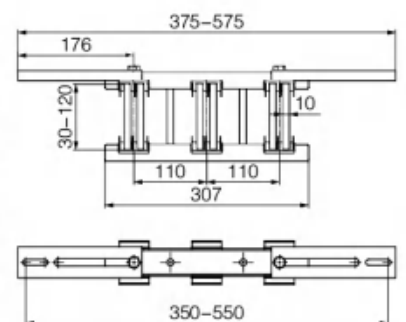
Item No.	DN64150
Product	Copper Busbar Supports
Material	Steel, glass fiber reinforced polyamide
Typical application rated current	3500 A
Max rated voltage Ui	1,000 VAC 1,500 VDC
Operating temperature	-40 to 130 ° C
Flame resistance class	UL94V-0
Distance between busbars	160mm
Busbar per phase	1
Busbar thickness	10mm
Reference standard	IEC61439-1 IEC60695-2-11 (Glow wire test the temperature is 960° C)



Item No.	DN64151
Product	Copper Busbar Supports
Material	Steel, glass fiber reinforced polyamide
Typical application rated current	3500 A
Max rated voltage Ui	1,000 VAC 1,500 VDC
Operating temperature	-40 to 130 ° C
Flame resistance class	UL94V-0
Distance between busbars	200mm
Busbar per phase	1
Busbar thickness	10mm
Reference standard	IEC61439-1 IEC60695-2-11 (Glow wire test the temperature is 960° C)



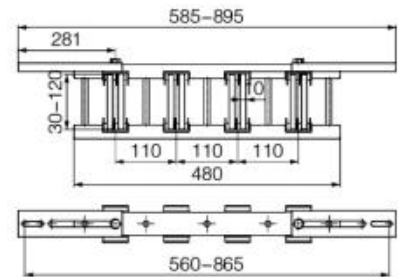
Item No.	DN64108
Product	Copper Busbar Supports
Material	Steel, glass fiber reinforced polyamide
Typical application rated current	3600 A
Max rated voltage Ui	1,000 VAC 1,500 VDC
Operating temperature	-40 to 130 ° C
Flame resistance class	UL94V-0
Distance between busbars	30 - 120 mm
Busbar per phase	1-2
Busbar thickness	10mm
Reference standard	IEC61439-1 IEC60695-2-11 (Glow wire test the temperature is 960° C)



Copper Busbar Supports

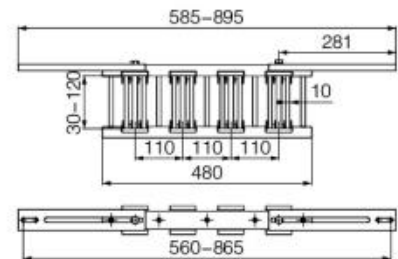
Item No. DN64107

Product	Copper Busbar Supports
Material	Steel, glass fiber reinforced polyamide
Typical application rated current	3600 A
Max rated voltage Ui	1,000 VAC 1,500 VDC
Operating temperature	-40 to 130 °C
Flame resistance class	UL94V-0
Distance between busbars	30 - 120 mm
Busbar per phase	1-2
Busbar thickness	10mm
Reference standard	IEC61439-1 IEC60695-2-11 (Glow wire test the temperature is 960° C)



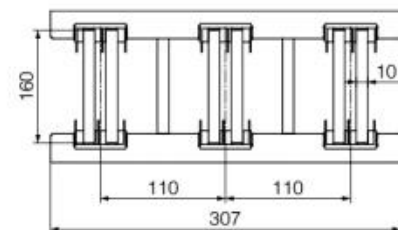
Item No. DN64109

Product	Copper Busbar Supports
Material	Steel, glass fiber reinforced polyamide
Typical application rated current	4500 A
Max rated voltage Ui	1,000 VAC 1,500 VDC
Operating temperature	-40 to 130 °C
Flame resistance class	UL94V-0
Distance between busbars	30 - 120 mm
Busbar per phase	1-3
Busbar thickness	10mm
Reference standard	IEC61439-1 IEC60695-2-11 (Glow wire test the temperature is 960° C)

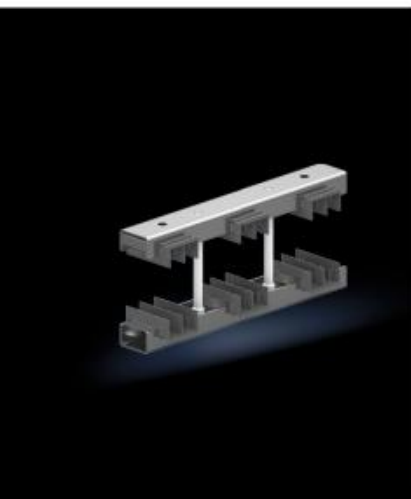


Item No. DN64152

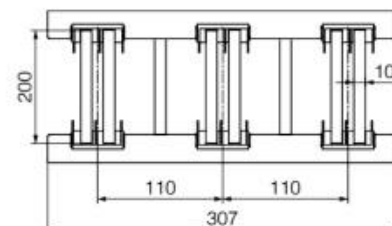
Product	Copper Busbar Supports
Material	Steel, glass fiber reinforced polyamide
Typical application rated current	5700 A
Max rated voltage Ui	1,000 VAC 1,500 VDC
Operating temperature	-40 to 130 °C
Flame resistance class	UL94V-0
Distance between busbars	160 mm
Busbar per phase	1-2
Busbar thickness	10mm
Reference standard	IEC61439-1 IEC60695-2-11 (Glow wire test the temperature is 960° C)



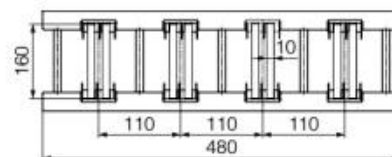
Copper Busbar Supports



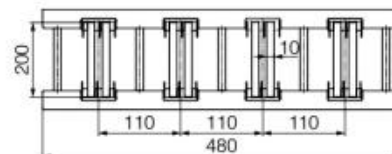
Item No.	DN64153
Product	Copper Busbar Supports
Material	Steel, glass fiber reinforced polyamide
Typical application rated current	5700 A
Max rated voltage Ui	1,000 VAC 1,500 VDC
Operating temperature	-40 to 130 ° C
Flame resistance class	UL94V-0
Distance between busbars	200 mm
Busbar per phase	1-2
Busbar thickness	10mm
Reference standard	IEC61439-1 IEC60695-2-11 (Glow wire test the temperature is 960° C)



Item No.	DN64187
Product	Copper Busbar Supports
Material	Steel, glass fiber reinforced polyamide
Typical application rated current	5700 A
Max rated voltage Ui	1,000 VAC 1,500 VDC
Operating temperature	-40 to 130 ° C
Flame resistance class	UL94V-0
Distance between busbars	160 mm
Busbar per phase	1-2
Busbar thickness	10mm
Reference standard	IEC61439-1 IEC60695-2-11 (Glow wire test the temperature is 960° C)



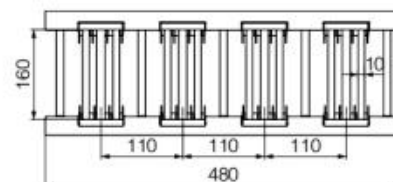
Item No.	DN64188
Product	Copper Busbar Supports
Material	Steel, glass fiber reinforced polyamide
Typical application rated current	5700 A
Max rated voltage Ui	1,000 VAC 1,500 VDC
Operating temperature	-40 to 130 ° C
Flame resistance class	UL94V-0
Distance between busbars	200 mm
Busbar per phase	1-2
Busbar thickness	10mm
Reference standard	IEC61439-1 IEC60695-2-11 (Glow wire test the temperature is 960° C)



Copper Busbar Supports

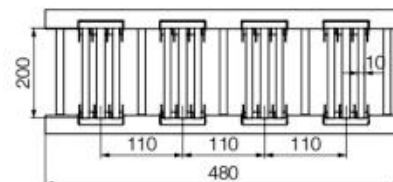
Item No. DN64154

Product	Copper Busbar Supports
Material	Steel, glass fiber reinforced polyamide
Typical application rated current	7400 A
Max rated voltage Ui	1,000 VAC 1,500 VDC
Operating temperature	-40 to 130 ° C
Flame resistance class	UL94V-0
Distance between busbars	160 mm
Busbar per phase	1-3
Busbar thickness	10mm
Reference standard	IEC61439-1 IEC60695-2-11 (Glow wire test the temperature is 960° C)



Item No. DN64155

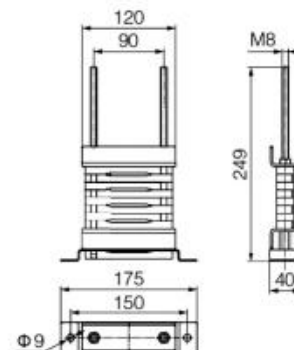
Product	Copper Busbar Supports
Material	Steel, glass fiber reinforced polyamide
Typical application rated current	7400 A
Max rated voltage Ui	1,000 VAC 1,500 VDC
Operating temperature	-40 to 130 ° C
Flame resistance class	UL94V-0
Distance between busbars	200 mm
Busbar per phase	1-3
Busbar thickness	10mm
Reference standard	IEC61439-1 IEC60695-2-11 (Glow wire test the temperature is 960° C)



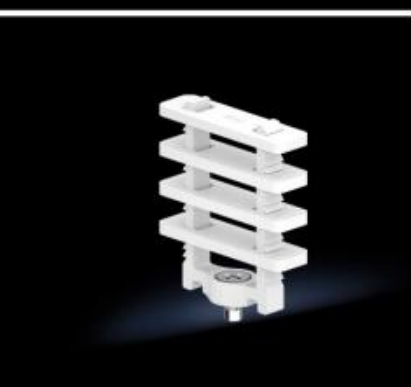
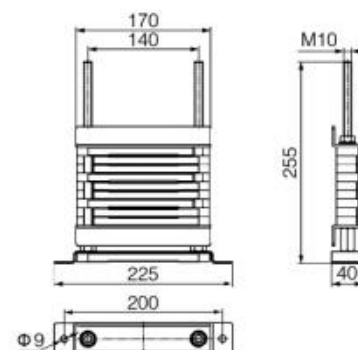
Flexible Busbar Fixing Clip



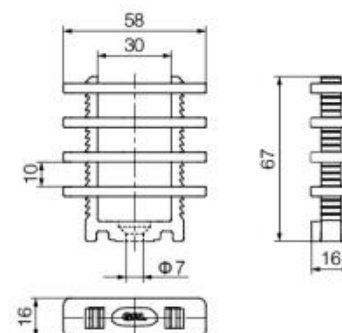
Item No.	DN62337
Material	Stainless steel 304, polyamide
Cable width mm	40-63
G.W Kg	1.115
Feature	Supports up to 8 parallel conductors to ensure adequate space for optimal cooling



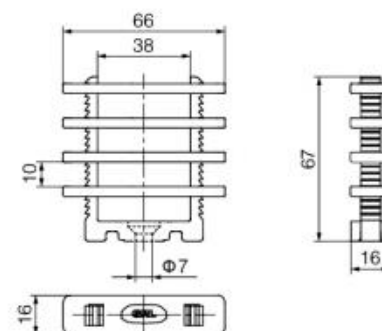
Item No.	DN62338
Material	Stainless steel 304, polyamide
Cable width mm	80-100
G.W Kg	1.613
Feature	Supports up to 8 parallel conductors to ensure adequate space for optimal cooling



Item No.	DN62355
Material	Polyamide UL94-V0
Cable width mm	24 Max
G.W Kg	0.028
Feature	Provide support for Laminated copper busbars and insulated textile conductors, without affecting the insulation effect, easy to install, up to 4 parallel conductors, the spacing between conductors is good for cooling



Item No.	DN62356
Material	Polyamide UL94-V0
Cable width mm	32 Max
G.W Kg	0.042
Feature	Provide support for Laminated copper busbars and insulated textile conductors, without affecting the insulation effect, easy to install, up to 4 parallel conductors, the spacing between conductors is good for cooling

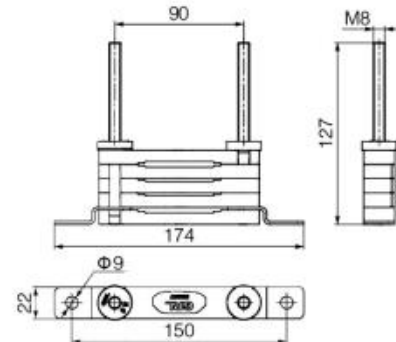


Flexible Busbar Fixing Clip



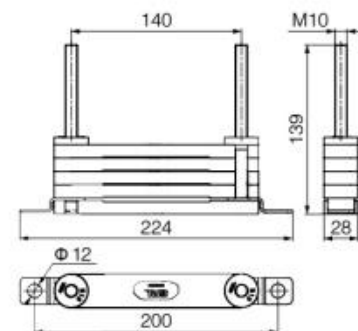
Item No. DN62357

Material	Polyamide UL94-V0
Cable width mm	40-63
G.W Kg	0.167
Feature	Provide support for Laminated copper busbars and insulated textile conductors, without affecting the insulation effect, easy to install, up to 4 parallel conductors, the spacing between conductors is good for cooling



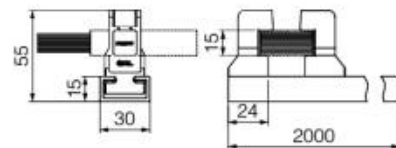
Item No. DN62358

Material	Polyamide UL94-V0
Cable width mm	80-100
G.W Kg	0.283
Feature	Provide support for Laminated copper busbars and insulated textile conductors, without affecting the insulation effect, easy to install, up to 4 parallel conductors, the spacing between conductors is good for cooling



Item No. DN62359

Material	Aluminium Polyamide UL94-V0
Copper busbar thickness	15 MAX
Cable width mm	15.5-120
G.W Kg	2.3
Feature	The product contains a track and 24 fixing clips

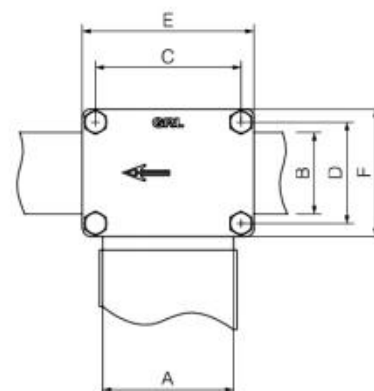


Fixing Clamp for Laminated Copper Busbar

FC Flexibar Clamp

- Max distance: 20mm;
- Consists of 2 galvanized steel and 8.8 grade M8 screws.

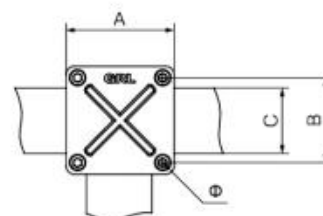
Model No.	Description	A (mm)	B (mm)	C (mm)	D (mm)	E (mm)	F (mm)	Torque (daN.m)
DN63302	FC 50 x 24	50	20-24	60	36	75	52	1
DN63303	FC 50 x 32	50	32	60	44	75	60	1
DN63304	FC 50 x 40	50	40	60	52	75	68	1
DN63305	FC 80 x 24	80	20-24	90	36	105	52	1
DN63306	FC 80 x 32	80	32	90	44	105	60	1
DN63306	FC 80 x 50	80	50	90	62	105	78	1
DN63370	FC 100x 32	100	32	110	44	125	60	1
DN63373	FC 120x 32	120	32	130	44	145	60	1



BC Ribbed-steel Busbar Clamp

- Max distance: 20mm;
- Composed of 2 galvanized steel sheets with ribs and screws;
- Longer 8.8 grade screws can make the clip distance up to 50mm.

Model No.	Description	A (mm)	B (mm)	C (mm)	φ	Torque (daN.m)
DN63320	BC 30	56	42	30	M6	0.7
DN63321	BC 40	66	52	40	M6	0.7
DN63322	BC 50	83	64	50	M8	2
DN63323	BC 63	93	74	63	M8	2
DN63325	BC 80	118	96	80	M10	4
DN63326	BC 100	144	116	100	M10	4

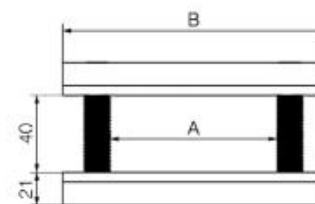


Flexible Busbar Fixing Clip

HCBC High Current Busbar Clamp

- Max distance: 40mm;
- Made of non-magnetic materials, used for the maximum current connection between GRL flexible busbars and rigid copper busbars such as transformer terminals;
- Its mechanical design will ensure a firm connection and a balanced contact pressure with two sets of clamps to ensure contact pressure.

Model No.	Description	A (mm)	B (mm)	Torque (daN.m)
DN63310	HCBC 80	80	140	10
DN63311	HCBC 100	100	160	10
DN63312	HCBC 120	120	180	10



Bracket



Item No. DN64941

Product	E type bracket
Material	Steel
Surface treatment	Galvanized plating (environmental protection color)
G.W	0.05 Kg



Item No. DN64942

Product	M type bracket
Material	Steel
Surface treatment	Galvanized plating (environmental protection color)
G.W	0.22 Kg



Item No. DN64947

Product	SV type bracket
Material	Steel
Surface treatment	Galvanized plating (environmental protection color)
G.W	0.048 Kg

Page Description

Item No.	Page
Copper Busbar	
DN51618	P03
DN51381	P03
DN51382	P03
DN51619	P03
DN51620	P03
DN51383	P03
DN51384	P03
DN51621	P03
DN51622	P03
DN51387	P03
DN51388	P03
DN51623	P03
DN51389	P03
DN51390	P03
DN51140	P03
DN51624	P03
DN51391	P03
DN51392	P03
DN51204	P03
DN51625	P03
DN51393	P03
DN51394	P03
DN51000	P04
DN51023	P04
DN51024	P04
DN51025	P04
DN51026	P04
DN51027	P04
DN51224	P04
DN51609	P04
DN51395	P04
DN51226	P04
DN51396	P04
DN51225	P04
DN51190	P04
DN51608	P04
DN51397	P04
DN51831	P04
DN51398	P04
DN51838	P04
DN51227	P04
DN51187	P04
DN51399	P04
DN51189	P04
DN51400	P04

Item No.	Page
DN51188	P04
DN51610	P04
DN51378	P04
DN51377	P04
DN61240	P05
DN61241	P05
DN61242	P05
DN61244	P05
DN61239	P05
DN61243	P05
DN61245	P05
DN61246	P05
DN61249	P05
DN61250	P05
DN61255	P05
DN61247	P06
DN61248	P06
DN61251	P06
DN61252	P06
DN61253	P06
DN61256	P06
DN61257	P06
DN61262	P06
DN61263	P06
DN61269	P06
DN61258	P06
DN61259	P06
DN61264	P06
DN61270	P06
DN61271	P06
DN61276	P06
DN61254	P07
DN61260	P07
DN61265	P07
DN61266	P07
DN61272	P07
DN61277	P07
DN61261	P07
DN61267	P07
DN61273	P07
DN61278	P07
DN61283	P07
DN61288	P07
DN61268	P07
DN61274	P07
DN61275	P07

Item No.	Page
DN61279	P07
DN61280	P07
DN61284	P08
DN61285	P08
DN61289	P08
DN61290	P08
DN61281	P08
DN61286	P08
DN61291	P08
DN61295	P08
DN61296	P08
DN61287	P08
DN61292	P08
DN61293	P08
DN61297	P08
DN61298	P08
DN61299	P08
DN61300	P08
Busbar Support	
DN52002	P11
DN52005	P11
DN52009	P11
DN52495	P12
DN52500	P12
DN52484	P12
DN52508	P13
DN52010	P13
DN52357	P13
DN52004	P14
DN52485	P14
DN52231	P14
DN52232	P15
DN52601	P15
DN52116	P15
DN52356	P16
DN52602	P16
DN52369	P16
DN52108	P17
DN52496	P17
DN52479	P18
DN53254	P18
DN52230	P19
DN52001	P19
DN52742	P19
DN53008	P20
DN53230	P20

Page Description

Item No.	Page
DN53001	P21
DN53005	P21
DN53573	P21
DN53131	P22
DN53234	P22
Connection Components	
DN54563	P26
DN54240	P26
DN54243	P26
DN54199	P27
DN54318	P27
DN54761	P27
DN54754	P28
DN54537	P28
DN54147	P28
DN54753	P29
DN54162	P29
DN54538	P30
DN54029	P30
DN54100	P31
DN54101	P31
DN54185	P31
DN54186	P32
DN54187	P32
DN54188	P32
DN54284	P33
DN54289	P33
DN54285	P34
DN54290	P34
DN54203	P35
DN54287	P35
DN54292	P36
DN54068	P36
DN54135	P37
DN54317	P37
DN54760	P37
DN54319	P38
DN54759	P38
DN54069	P38
DN54070	P39
DN54071	P39
DN54211	P39
DN54212	P40
DN54213	P40
DN54008	P41
DN54905	P41

Item No.	Page
DN54906	P41
DN54907	P41
DN54908	P42
DN54092	P42
DN54034	P42
DN54166	P43
DN54193	P43
DN54823	P43
DN54141	P43
DN54886	P43
DN54827	P43
DN54145	P44
DN54829	P44
DN54274 L	P44
DN54275 L	P44
DN54990	P44
Busbar Adaptor	
DN55320	P52
DN55321	P52
DN55345	P52
DN55346	P52
DN55350	P53
DN55352	P53
DN55351	P53
DN55353	P53
DN55322	P54
DN55347	P54
DN55323	P54
DN55348	P54
DN55324	P55
DN55349	P55
DN55354	P55
DN55355	P55
DN55356	P56
DN55357	P56
DN55358	P56
DN55359	P56
DN55304	P57
DN55329	P57
DN55305	P57
DN55330	P57
DN55306	P58
DN55331	P58
DN55307	P58
DN55332	P58
DN55360	P59

Item No.	Page
DN55361	P59
DN55362	P59
DN55363	P59
DN55364	P60
DN55365	P60
DN55366	P60
DN55367	P60
DN55368	P61
DN55369	P61
DN55370	P61
DN55371	P61
DN55372	P62
DN55373	P62
DN55374	P62
DN55375	P62
DN55376	P63
DN55377	P63
DN55378	P63
DN55379	P63
DN55302	P64
DN55327	P64
DN55303	P64
DN55328	P64
DN55314	P65
DN55339	P65
DN55315	P65
DN55340	P65
DN55316	P66
DN55341	P66
DN55317	P66
DN55342	P66
DN55318	P67
DN55343	P67
DN55319	P67
DN55344	P67
DN55300	P68
DN55325	P68
DN55301	P68
DN55326	P68
DN55308	P69
DN55333	P69
DN55309	P69
DN55334	P69
DN55310	P70
DN55335	P70
DN55311	P70

Page Description

Item No.	Page
DN55336	P70
DN55312	P71
DN55337	P71
DN55313	P71
DN55338	P71
DN55160	P73
DN55017	P73
DN55118	P73
DN55030	P74
DN55031	P74
DN55063	P74
DN55064	P74
DN55065	P74
DN55066	P74
DN55067	P74
DN55068	P74
DN55032	P74
DN55033	P74
DN55069	P74
DN55070	P74
DN55071	P74
DN55072	P74
DN55079	P74
DN55080	P74
DN55081	P74
DN55082	P74
DN55083	P74
DN55084	P74
DN55177	P74
DN55178	P74
DN55032	P75
DN55033	P75
DN55122	P75
DN55051	P75
DN55250	P76
DN55018	P76
DN55168	P76
DN55008	P77
DN55601	P77
DN55037	P77
DN55639	P77
DN55181	P77
DN55158	P77
DN55159	P77
DN55161	P77
DN55162	P77

Item No.	Page
DN55163	P77
DN55154	P78
DN55155	P78
DN55156	P79
DN55180	P79
DN55182	P80
DN55188	P80
DN55189	P80
DN55190	P80
DN55191	P80
DN55185	P80
DN55192	P80
DN55193	P80
DN55190	P80
DN55195	P80
DN55001	P81
DN55011	P81
DN55004	P81
DN55014	P81
DN55630	P81
DN55019	P81
DN55157	P82
DN55036	P82
DN55038	P82
DN55073	P82
DN55074	P82
DN55075	P82
DN55076	P82
DN55077	P82
DN55078	P82
DN55085	P82
DN55086	P82
DN55087	P82
DN55088	P82
DN55089	P82
DN55090	P82
DN55091	P82
DN55092	P82
DN55007	P83
DN55035	P83
DN55062	P83
DN55218	P83
DN55054	P83
DN55055	P83
DN55056	P83
DN55058	P83

Item No.	Page
DN55059	P83
DN55060	P83
DN55061	P83
DN55165	P84
DN55164	P84
DN55166	P84
DN55167	P84
DN55002	P85
DN55012	P85
DN55005	P85
DN55015	P85
DN55009	P85
DN55042	P85
DN55593	P86
DN55043	P86
DN55020	P86
DN55044	P86
DN55023	P86
DN55021	P86
DN55028	P87
DN55049	P87
DN55101	P87
DN55102	P87
DN55909	P87
DN55016	P88
DN55025	P88
DN55045	P88
DN55183	P88
DN55186	P88
DN55196	P89
DN55197	P89
DN55198	P89
DN55199	P89
DN55184	P90
DN55187	P90
DN55202	P90
DN55203	P90
DN55204	P91
DN55205	P91
DN55206	P91
DN55207	P91
DN55003	P92
DN55013	P92
DN55200	P92
DN55006	P93
DN55041	P93

Page Description

Item No.	Page
DN55027	P93
DN55050	P93
DN28000	P94
DN28001	P94
DN28002	P94
DN28003	P94
Sealed Components	
DN53244	P97
DN53245	P97
DN53020	P98
DN53252	P98
DN53016	P99
DN53025	P99
DN53026	P99
DN53136	P100
DN53137	P100
DN53236	P100
DN53320	P101
DN53417	P101
DN53515	P101
DN53518	P101
DN53539	P102
DN53540	P102
DN53554	P102
DN53555	P103
DN53596	P103
DN53597	P103
DN53599	P104
DN53756	P104
DN53757	P104
Switch	
DN31021	P111
DN31031	P111
DN31041	P111
DN31051	P111
DN31001	P112
DN31011	P112
DN31131	P113
DN31141	P113
DN31151	P113
DN31161	P113
DN31171	P113
DN31181	P113
DN31101	P114
DN31111	P114
DN31121	P114

Item No.	Page
DN31231	P115
DN31241	P115
DN31251	P115
DN31261	P115
DN31271	P115
DN31281	P115
DN31201	P116
DN31211	P116
DN31221	P116
DN31331	P117
DN31341	P117
DN31351	P117
DN31361	P117
DN31371	P117
DN31381	P117
DN31301	P118
DN31311	P118
DN31321	P118
DN54224	P119
DN54207	P119
DN54208	P119
DN54209	P119
DN32001	P120
DN32002	P120
DN32003	P120
DN32004	P120
DN32005	P120
DN32006	P120
DN32030	P120
DN32031	P120
DN32032	P120
DN32033	P120
DN32034	P120
DN32035	P120
DN32060	P122
DN32061	P122
DN32062	P122
DN32063	P122
DN32064	P122
DN32065	P122
DN32066	P122
DN32067	P122
DN32068	P122
DN32069	P122
DN32070	P122
DN32071	P122

Item No.	Page
DN32072	P122
DN32073	P122
DN32074	P122
DN32075	P122
DN32076	P122
DN32077	P122
DN32130	P122
DN32131	P122
DN32132	P122
DN32133	P122
DN32134	P122
DN32135	P122
DN32136	P123
DN32137	P123
DN32138	P123
DN32139	P123
DN32140	P123
DN32141	P123
DN32142	P123
DN32143	P123
DN32144	P123
DN32145	P123
DN32146	P123
DN32147	P123
DN32200	P123
DN32201	P123
DN32202	P123
DN32203	P123
DN32204	P123
DN32205	P123
DN32206	P123
DN32207	P123
DN32208	P123
DN32209	P123
DN32210	P123
DN32211	P123
DN32212	P123
DN32213	P123
DN32214	P123
DN32215	P123
DN32216	P123
DN32217	P123
DN32260	P123
DN32261	P123
DN32262	P123
DN32263	P123

Page Description

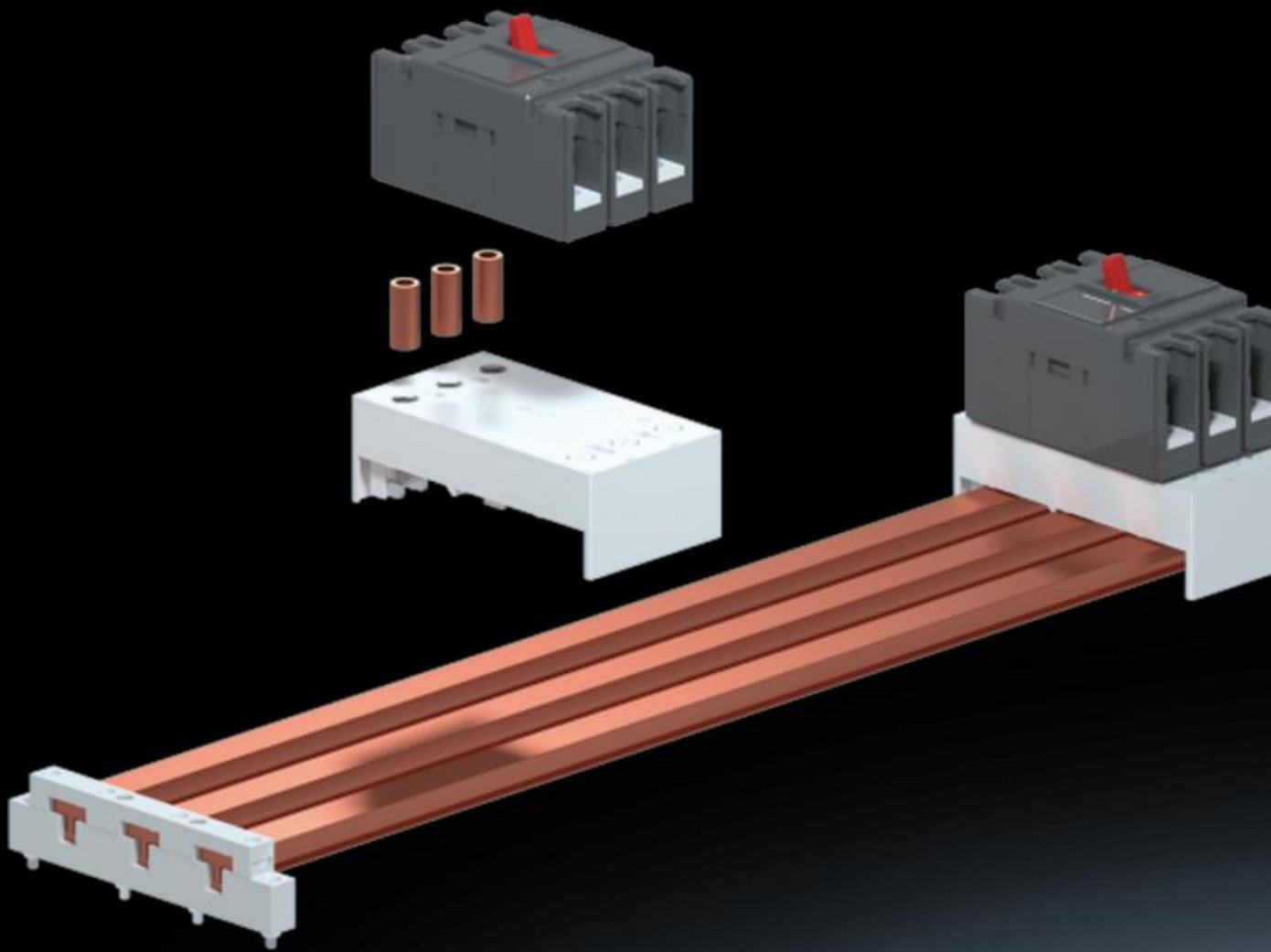
Item No.	Page
DN32264	P124
DN32265	P124
DN32266	P124
DN32267	P124
DN32268	P124
DN32269	P124
DN32270	P124
DN32271	P124
DN32272	P124
DN32273	P124
DN32274	P124
DN32275	P124
DN32276	P124
DN32277	P124
DN32278	P124
DN32279	P124
DN32280	P124
DN32281	P124
DN32330	P124
DN32331	P124
DN32332	P124
DN32333	P124
DN32334	P124
DN32335	P124
DN32336	P124
DN32337	P124
DN32338	P124
DN32339	P124
DN32340	P124
DN32341	P124
DN32342	P124
DN32343	P124
DN32344	P124
DN32345	P124
DN32346	P125
DN32347	P125
DN32348	P125
DN32349	P125
DN32350	P125
DN32351	P125
DN32400	P125
DN32401	P125
DN32402	P125
DN32403	P125
DN32404	P125
DN32405	P125

Item No.	Page
DN32406	P125
DN32407	P125
DN32408	P125
DN32409	P125
DN32410	P125
DN32411	P125
DN32412	P125
DN32413	P125
DN32414	P125
DN32415	P125
DN32416	P125
DN32417	P125
DN32418	P125
DN32419	P125
DN32420	P125
DN32421	P125
DN32470	P125
DN32471	P125
DN32472	P125
DN32473	P125
DN32474	P125
DN32475	P126
DN32476	P126
DN32477	P126
DN32478	P126
DN32479	P126
DN32480	P126
DN32481	P126
DN32482	P126
DN32483	P126
DN32484	P126
DN32485	P126
DN32486	P126
DN32487	P126
DN32488	P126
DN32489	P126
DN32490	P126
DN32491	P126
DN32492	P126
DN32493	P126
DN32550	P126
DN32551	P126
DN32552	P126
DN32553	P126
DN32554	P126
DN32555	P126

Item No.	Page
DN32556	P126
DN32557	P126
DN32558	P126
DN32559	P126
DN32560	P126
DN32561	P126
DN32562	P126
DN32563	P126
DN32564	P127
DN32565	P127
DN32566	P127
DN32567	P127
DN32568	P127
DN32569	P127
DN32570	P127
DN32571	P127
DN32572	P127
DN32573	P127
DN32620	P127
DN32621	P127
DN32622	P127
DN32623	P127
DN32624	P127
DN32625	P127
DN32626	P127
DN32627	P127
DN32628	P127
DN32629	P127
DN32630	P127
DN32631	P127
DN32632	P127
DN32633	P127
DN32634	P127
DN32635	P127
DN32636	P127
DN32637	P127
DN32638	P127
DN32639	P127
DN32640	P127
DN32641	P127
DN32642	P127
DN32643	P127
DN56110	P130
DN56111	P130
DN56112	P131
DN56113	P131

Page Description

Item No.	Page	Item No.	Page	Item No.	Page
DN56114	P132	DN56246	P153	DN64153	P168
DN56115	P132	DN56247	P153	DN64187	P168
DN56116	P133	NT00C/NH00C	P154	DN64188	P168
DN56117	P133	NT00/NH00	P154	DN64154	P169
DN56118	P134	NT0/NH0	P154	DN64155	P169
DN56119	P134	NT1/NH1	P154	DN62337	P170
DN56120	P135	NT2/NH2	P154	DN62338	P170
DN56121	P135	NT3/NH3	P154	DN62355	P170
DN56122	P136	NT00C/NH00CIndicator	P155	DN62356	P170
DN56123	P136	NT00/NH00	P155	DN62357	P171
DN56124	P137	NT0/NH0Indicator	P155	DN62358	P171
DN56130	P137	NT1/NH1Indicator	P155	DN62359	P171
DN56132	P138	NT2/NH2Indicator	P155	DN63302	P172
DN56133	P138	NT3/NH3Indicator	P155	DN63303	P172
DN56135	P139	RT18-32	P156	DN63304	P172
DN56137	P139	RT18-63	P156	DN63305	P172
DN56138	P140	RT18-125	P156	DN63306	P172
DN56140	P140	Flat Copper Busbar Width		DN63306	P172
DN56143	P141	40-125mm(400A-7400A)		DN63370	P172
DN56168	P141	DN64926	P159	DN63373	P172
DN56171	P142	DN64927	P159	DN63320	P172
DN56017	P143	DN64931	P159	DN63321	P172
DN56018	P143	DN64932	P160	DN63322	P172
DN56019	P144	DN64934	P160	DN63323	P172
DN56020	P144	DN64935	P160	DN63325	P172
DN56300	P145	DN64936	P161	DN63326	P172
DN56301	P145	DN64937	P161	DN63310	P173
DN56302	P145	DN64938	P161	DN63311	P173
DN56310	P146	DN64939	P162	DN63312	P173
DN56311	P146	DN64497	P162	DN64941	P174
DN56312	P146	DN64498	P162	DN64942	P174
DN56313	P147	DN64499	P163	DN64947	P174
DN56320	P147	DN64115	P163		
DN56321	P147	DN64118	P163		
DN56322	P148	DN64205	P164		
DN56323	P148	DN64207	P164		
DN56330	P148	DN64100	P164		
DN56331	P149	DN64101	P165		
DN56332	P149	DN64102	P165		
DN56333	P149	DN64106	P165		
DN56305	P150	DN64150	P166		
DN56315	P150	DN64151	P166		
DN56325	P151	DN64108	P166		
DN56335	P151	DN64107	P167		
DN56235	P152	DN64109	P167		
DN56236	P152	DN64152	P167		



GRL

185mm Integrated Electrical System

- 185mm electrical system is a reliable and safe system. What's more , it optimizes and integrates various components and modular combination. The layout is neat and elegant.
- It can provide short-circuit and over load protection. It is visible when the switch is on or off ,which is secondary protection.
- Easy installation and maintenance.

Product Raw Material



PA66

Polyamide (PA 66), flame retardant grade V0, continuous operating temperature max. 150-180°C , halogen-free.



DMC

Customized DMC material, flame retardant grade V0, continuous operating temperature max. 180-200°C , halogen-free.



Busbar

GB Standard electrolytic copper T2 (equal to DIN E-Cu58, EN CuETP, UNS C C11000) with excellent conductivity, thermal conductivity, ductility and corrosion resistance is adopted.

Standard Reference

GB/T14048.1; GB/T7251.1; IEC-61439-1

Rated impulse withstand voltage Uimp	Minimum electrical clearance
4kV	3.0mm
6kV	5.5mm
8kV	8.0mm
12kV	14mm

GB/T14048.1; GB/T7251.1; IEC-61439-1

Rated insulation voltage Ui	Minimum creepage distance
AC 400V	6.3mm
AC 500V	8.0mm
AC 690V	10.0mm
AC 800V	12.5mm
AC 1000V	16.0mm
AC 1250V	20.0mm
AC 1500V	25.0mm

GRL

ZHEJIANG GRL ELECTRIC CO.,LTD.

Add: No.246.Weishi Road,Yueqing Economic Development Zone,
Yueqing City,Zhejiang,P.R.China.

TEL: 0577-62700791 FAX: 0577-62702791

 Sales Tel.: 0577-62698877  Website: www.grlele.com
 Service Tel.: 400-926-1791  E-mail: sales@grlele.com



Website



Wechat

This product manual is printed by GRL. It is only used to explain the relevant information of this series of products. The information might be updated base on the technical upgrade or update, GRL holds the right to update the manual without prior notice. Welcome to contact GRL for more details.

GRL Electric All Rights Reserved.